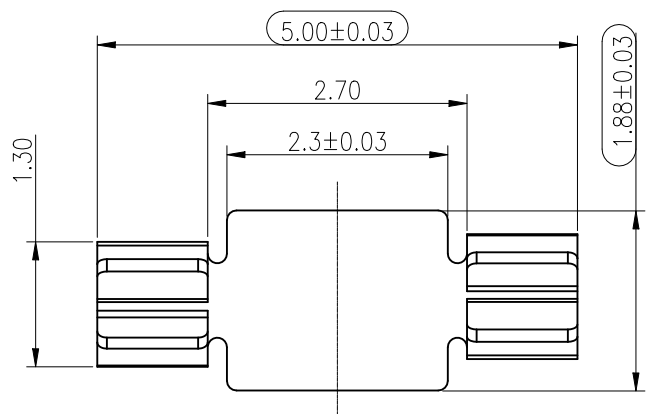
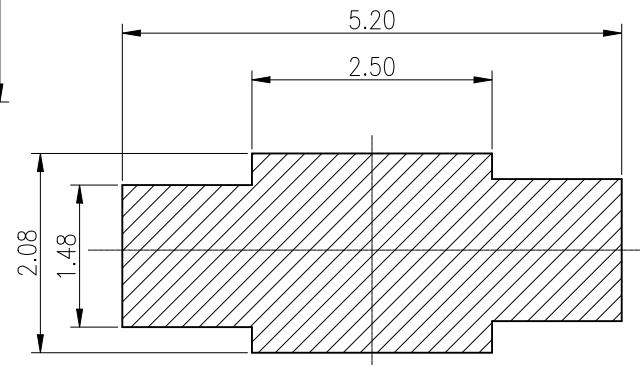
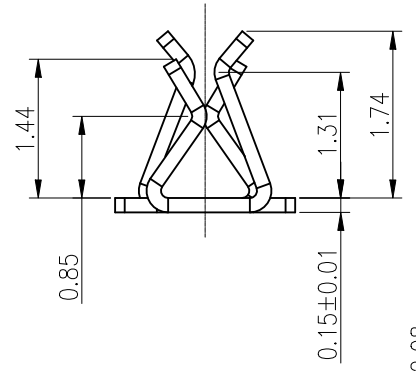
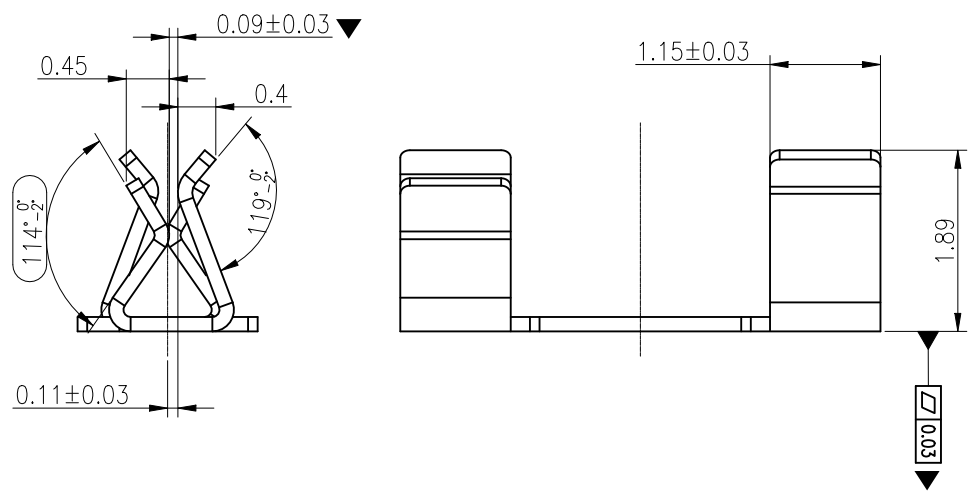
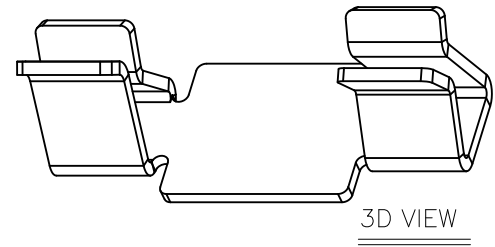


This document is the property of and embodies CONFIDENTIAL and PROPRIETARY information of AOR. No part of the information shown on this document may be used in any way or disclosed to others without the written consent of AOR. © 2019 AOR



| REV. | ECR/ECN No. | DESCRIPTION  | DRAWN/DATE            | CHECKED/DATE         | APPROVED/DATE     |
|------|-------------|--------------|-----------------------|----------------------|-------------------|
| A    |             | NEW RELEASE  | Bing Ye<br>2014-01-03 | Qi Han<br>2014-01-03 | ROY<br>2014-01-03 |
| B    | ECN2022152  | UPDATE FRAME | Abner<br>2022-09-27   | Staven<br>2022-09-27 | Sam<br>2022-09-27 |



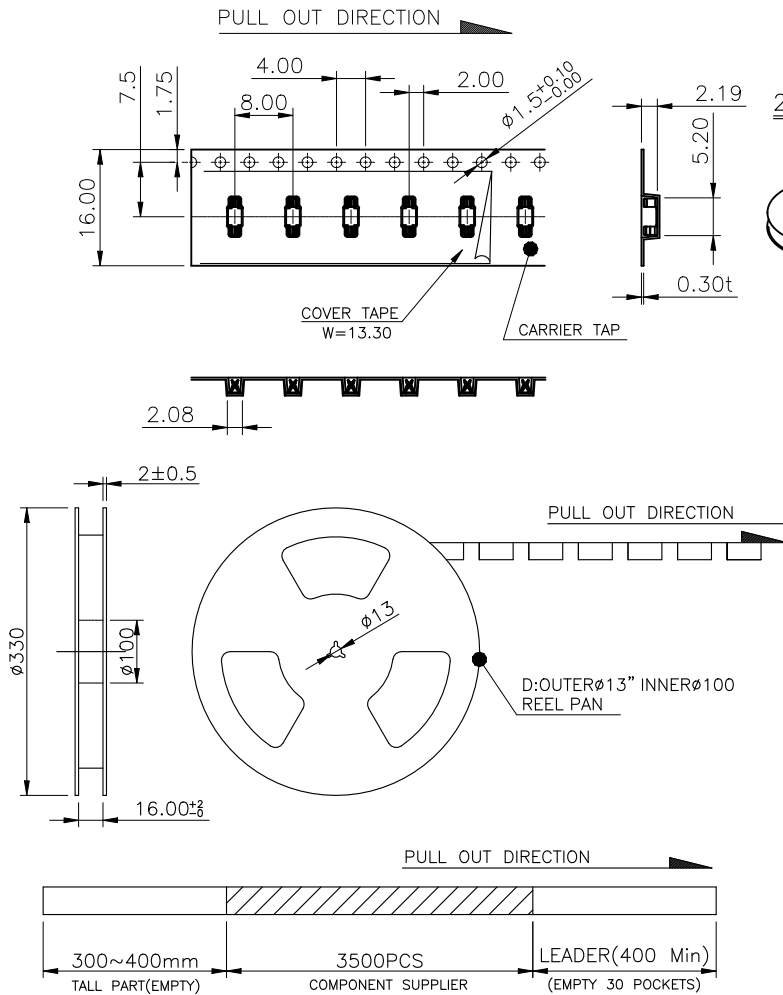
RECOMMEND PCB LAYOUT SIZE

NOTES:

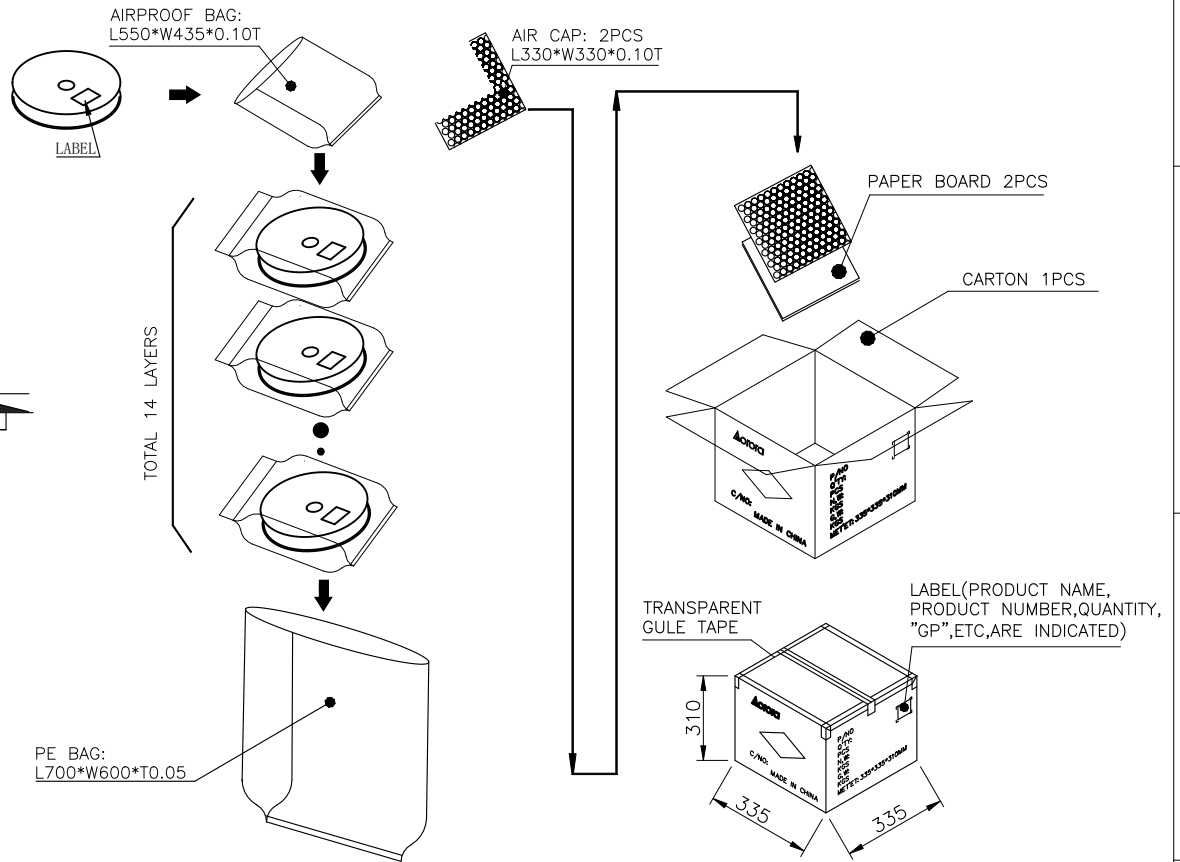
- MATERIAL: SUS 304 T=0.15mm;
- FINISH: Tin 80~200u" SURFACE PLATING OVER ALL;  
Ni 40~120u" UNDER PLATING OVER ALL,
- BURR: 0.03mm MAX.
- "○" NOTATION FOR IMPORTANT DIMENSION  
"▼" MARKED IS CPK

| UNLESS OTHERWISE SPECIFIED TOLERANCES |       | ANGLE OF PROJECTION             |        | Amphenol AORORA                              |  |
|---------------------------------------|-------|---------------------------------|--------|--|--|
| X.                                    | ±0.20 | X. °                            | ± 5'   | Amphenol Aorora Technology (Huizhou) Co.,Ltd |  |
| X.X                                   | ±0.10 | X.X °                           | ± 3'   |  |  |
| X.XX                                  | ±0.05 | X.XX °                          | ± 0.2' | TITLE: H1.89 CLIP                            |  |
| X.XXX                                 | ±0.03 | X.XXX °                         | ± 0.1' | SIZE: A4                                     |  |
| LINEAR DIMS                           |       | ANGLES DIMS                     |        | PART NUMBER: Z00A-4G7U1-11000                |  |
| DWG NO.: A-S0135                      |       | DRAWN DATE: Bing Ye 2014-01-03  |        | REV. B                                       |  |
| MATERIAL: SEE NOTES                   |       | DESIGN DATE: Bing Ye 2014-01-03 |        | SCALE: 1:1                                   |  |
| FINISHED: SEE NOTES                   |       | CHECKED DATE: Han Qi 2014-01-03 |        | UNIT: mm                                     |  |
|                                       |       | APPROVED DATE: ROY 2014-01-03   |        | SHEET 1 OF 1                                 |  |

**1. PACKING INTO REEL:**



**2. PACKING INTO CARTON:**



| REV. | ECR/ECN No. | DESCRIPTION              | DRAWN/DATE           | CHECKED/DATE         | APPROVED/DATE             |
|------|-------------|--------------------------|----------------------|----------------------|---------------------------|
| B    |             | Add PE bag specification | Staven<br>2016-08-10 | Andy<br>2016-08-10   | HongKui.Liu<br>2016-08-10 |
| C    | ECN2022152  | UPDATE FRAME             | Abner<br>2022-09-28  | Staven<br>2022-09-28 | Sam<br>2022-09-28         |

**NOTES:**

- MATERIAL:
  - CARRY TAPE:PS,T=0.3mm,CLEAR:Transparent.
  - REEL:HIPS,BLUE.
  - SHIM:PE,CLEAR.
- PRIMARY PACKING:3500PCS/REEL.
- SECONDARY PACKING:14REELS/CARTON(49000PCS/CARTON).
- PEELING RESISTANCE: 0.2N~1.2N(20~120gf);  
PEELING ANGLE: 165°~180°;  
PEELING SPEED: 300mm/minutes.

| UNLESS OTHERWISE SPECIFIED TOLERANCES |                  |             |              | ANGLE OF PROJECTION |      | Amphenol<br>AORORA                           |  |
|---------------------------------------|------------------|-------------|--------------|---------------------|------|--|--|
| X.                                    | ±0.15            | X. *        | ± 1'         |                     |      | Amphenol Aorora Technology (Huizhou) Co.,Ltd |  |
| X.X                                   | ±0.16            | X.X *       | ± 0.5'       |                     |      |  |  |
| X.XX                                  | ±0.05            | X.XX *      | ± 0.5'       | DOC TYPE            |      | TITLE:                                       |  |
| X.XXX                                 | ±0.03            | X.XXX *     | ± 1'         | PACKING DWG.        |      | H1. 89 CLIP PACKING                          |  |
| LINEAR DIMS                           |                  | ANGLES DIMS |              | DRAWN               | DATE | Staven                                       |  |
|                                       |                  |             |              | DESIGN              | DATE | Staven                                       |  |
| DWG NO.:                              | A-H0031          |             |              | CHECKED             | DATE | Andy   |  |
| MATERIAL                              | SEE NOTES        |             |              | APPROVED            | DATE | HongKui.Liu                                  |  |
| FINISHED                              | SEE NOTES        |             |              |                     |      | 2016-08-10                                   |  |
| SIZE                                  | PART NUMBER:     |             | REV.         |                     |      |  |  |
| A4                                    | Z00A-4G7U1-11000 |             | C            |                     |      |  |  |
| SCALE                                 | 1:1              | UNIT : mm   | SHEET 1 OF 1 |                     |      |  |  |