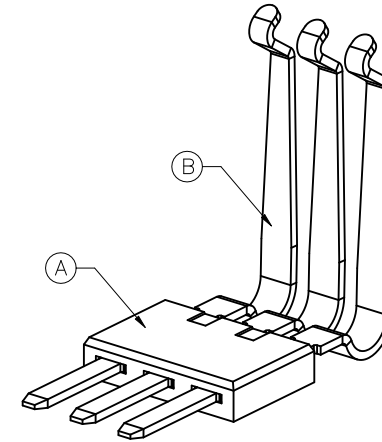
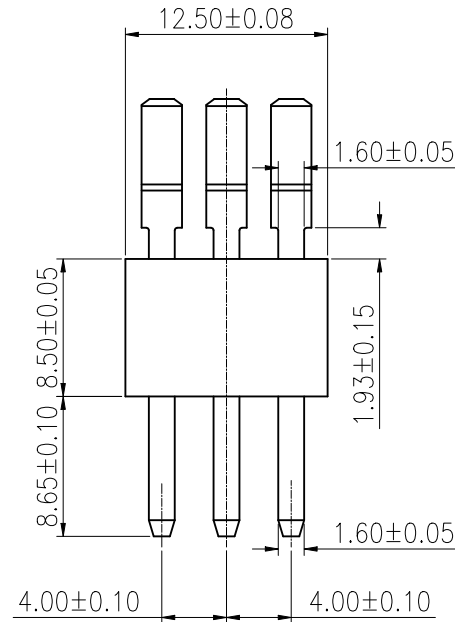
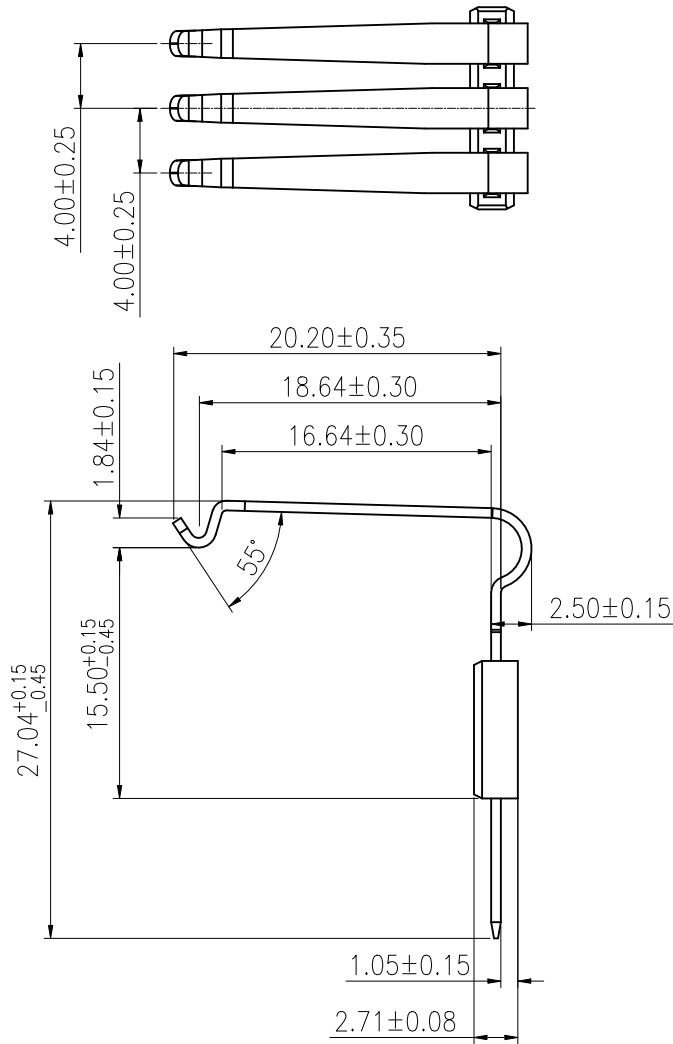


REV.	ECR/ECN No.	DESCRIPTION	DRAWN/DATE	CHECKED/DATE	APPROVED/DATE
E	ECN2022152	UPDATE FRAME	Abner 2022-09-28	Staven 2022-09-28	Sam 2022-09-28

NOTES:

- 1) MATERIALS: PHOSPHOR BRONZE T=0.60mm.
- 2) FINISH: NICKEL 120u"~200u" PLATED ON ALL OVER.
- 4) ALLOWING BURRS 0.05mm Max.
- 5) THE SURFACE IS NOT ALLOWED TO HAVE CRUSHING; SCRATCY8HG; DEFORMATION; DIE MARKS; OIL STAINS.
- 6) MATERIAL COMPLY WITH RoHS 2.0.



3D VIEW

NO.	COMPONENTS	MATERIALS	SPECIFICATION: FINISH/COLOR	QTY.
A	HOUSING	GLASS FILLED	BLACK; UL94 V-0	1PCS
B	CONTACT	PHOSPHOR BRONZE	PLATING 120~200u" NICKEL.	3PCS

UNLESS OTHERWISE SPECIFIED TOLERANCES				ANGLE OF PROJECTION		Amphenol AORORA				
X.	±0.30	X. °	± 5'			Amphenol Aorora Technology (Huizhou) Co.,Ltd				
X.X	±0.25	X.X °	± 4'							
X.XX	±0.20	X.XX °	± 3'	DOC Typ Customer Drw		TITLE: 3PIN CONTACT SPRING				
X.XXX	±0.15	X.XXX °	± 2'	DRAWN DATE	Jessy 2017-12-08	SIZE PART NUMBER:	REV.			
LINEAR DIMS				ANGLES DIMS		DESIGN DATE	Jessy 2017-12-08	A4 Z01F-1B7J4-11003-E200	E	
DWG NO.: A-S0363				CHECKED DATE		APPROVED DATE		SCALE	UNIT : mm	SHEET 1 OF 1
MATERIAL				SEE NOTES		Judy 2017-12-08		1:1		
FINISHED				SEE NOTES						

1

2

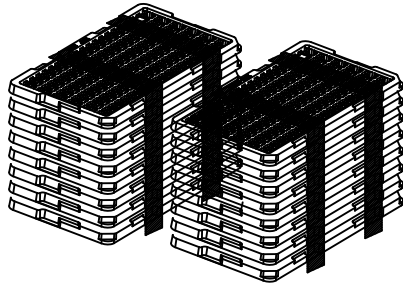
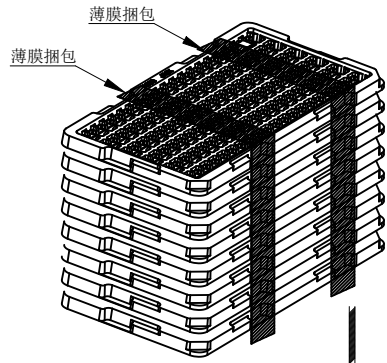
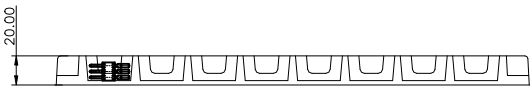
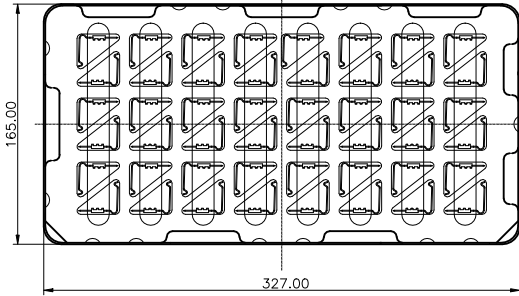
3

4

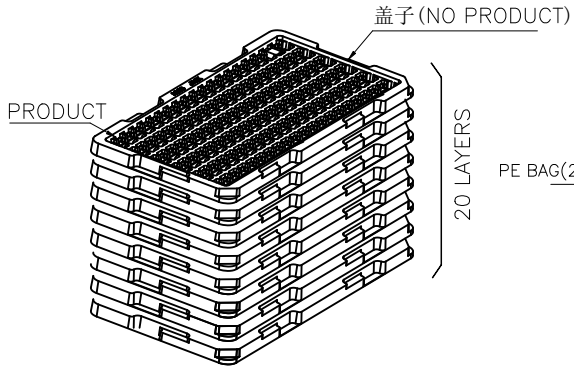
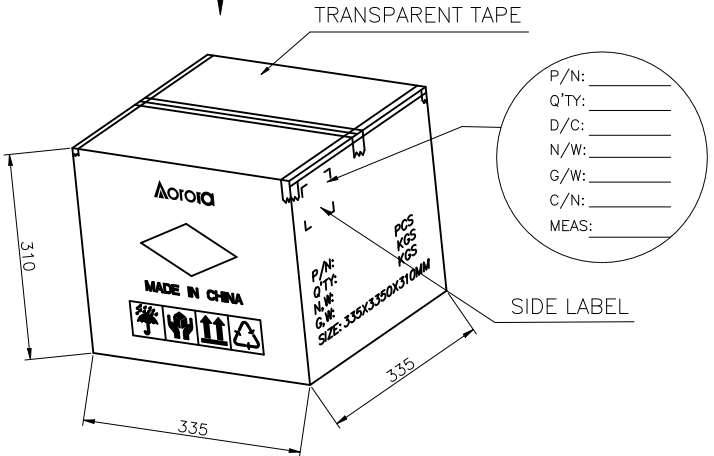
(1):PUT THE "3P SPRING" INTO TRAY;



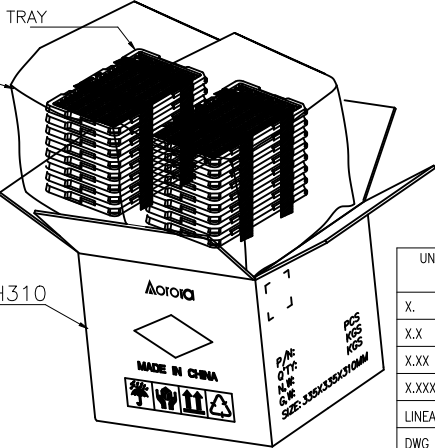
(2):THE DIRECTION OF CONNECTORS(8PCS/ROW,TOTAL24PCS);



REV.	ECR/ECN No.	DESCRIPTION	DRAWN/DATE	CHECKED/DATE	APPROVED/DATE
B	ECN2022152	UPDATE FRAME	Abner 2022-09-28	Staven 2022-09-28	Sam 2022-09-28



PE BAG(2pcs)



NOTES:
 1: PACKING DIMENSIONS:
 CARTON:335X335X310mm
 2: SPRING LEAF CARRIED BY TRAY,48PCS/TRAY,
 3: 20TRAY/LAY,2LAY FIXED BY PE FILM,
 4: 1920PCS/CARTON,SEALING&LABELED WITH AORORA LABEL.



This document is the property of and embodies CONFIDENTIAL and PROPRIETARY information of AORORA. No part of the information shown on this document may be used in any way or disclosed to others without the written consent of AORORA. © 2019 AORORA

UNLESS OTHERWISE SPECIFIED TOLERANCES				ANGLE OF PROJECTION		Amphenol AORORA	
X.	±0.25	X. *	± 5'			Amphenol Aorora Technology (Huizhou) Co.,Ltd	
X.X	±0.20	X.X *	± 3'				
X.XX	±0.10	X.XX *	± 0.2'	DOC TYPE		TITLE:	
X.XXX	±0.05	X.XXX *	± 0.1'	DRAWN DATE		3PIN SPRING	
LINEAR DIMS		ANGLES DIMS		DESIGN DATE	Jessy 2016-09-08	SIZE	PART NUMBER:
DWG NO.: A-H0191				CHECKED DATE	Andy 2016-09-08	A4	Z01F-1B7J4-11003-E200
MATERIAL		SEE NOTES		APPROVED DATE	Judy 2016-09-08	SCALE	1:1
FINISHED		SEE NOTES				UNIT : mm	SHEET 1 OF 1

1

2

3

4