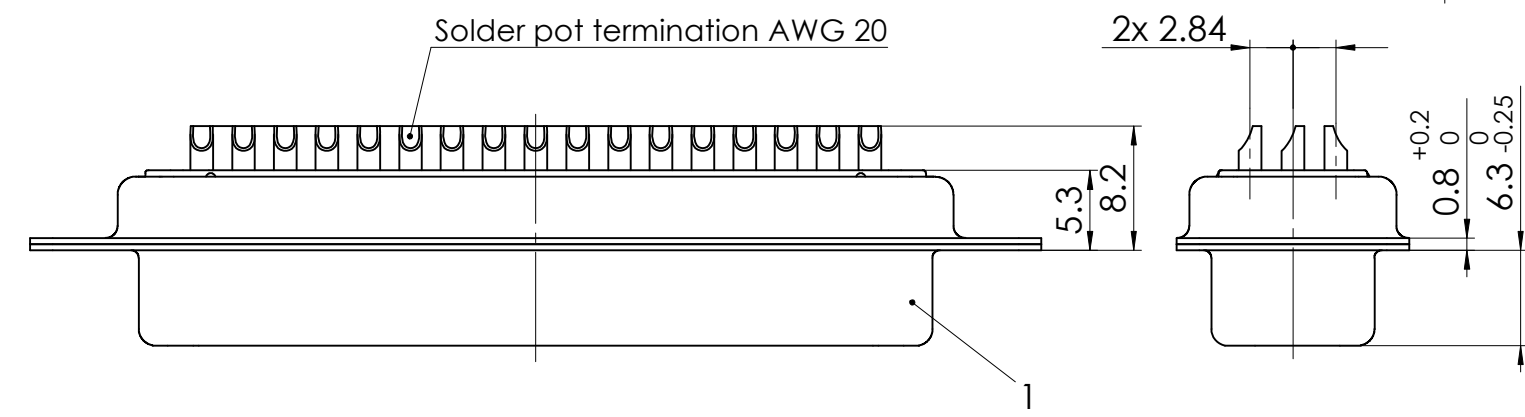
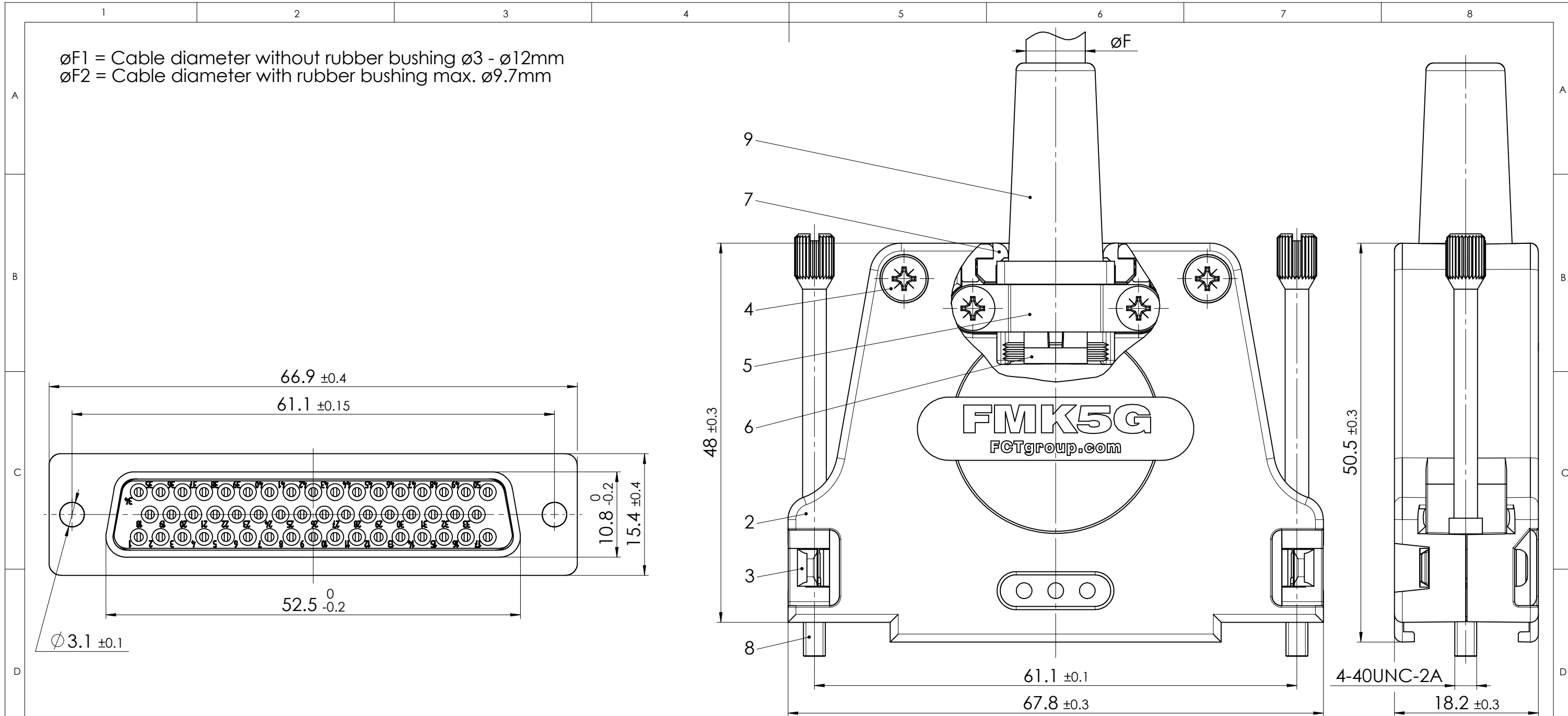
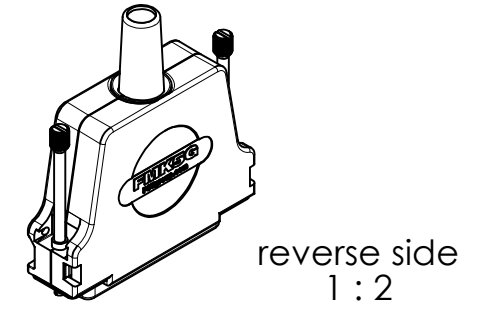


$\phi F1$  = Cable diameter without rubber bushing  $\phi 3 - \phi 12$ mm  
 $\phi F2$  = Cable diameter with rubber bushing max.  $\phi 9.7$ mm



No.	St.	Part	Type Description/Material	Surface plating/Colour/Class
9	2	Rubber bushing	TPE	black
8	2	Knurled thumb screw	FRS1/5-K190 4-40 / Brass	nickel plated
7	2	Cable reduction plate	Zinc die-cast	nickel plated
6	1	Strain relief	ABS	nickel plated
5	1	Cable clamp	Steel	tin plated
4	4	Screw	Case hardened steel	zinc plated
3	2	Catch spring	PEI	black
2	1	Hood	FMK5G / Zinc die-cast	nickel plated
1	1	D-Sub Connector	F50S0G2	



RoHS compliant  
by exemption

max. torque are 40 Ncm

SYMBOLS		THIS DRAWING CONTAINS INFORMATION THAT IS PROPRIETARY TO MOLEX ELECTRONIC TECHNOLOGIES, LLC AND SHOULD NOT BE USED WITHOUT WRITTEN PERMISSION			
$\nabla = 0$	DIMENSION UNITS	SCALE	MEASUREMENTS WITHOUT TOLERANCE ACC. TO ISO 2768-m		
$\nabla = 0$	mm	2:1		PRODUCT CUSTOMER DRAWING	
$\nabla = 0$			CURRENT REVISION	MATERIAL NUMBER	
$\nabla = 0$			DRWN: DRAWN BY ameyerrichte 19-11-2019	1731140375	
$\nabla = 0$			APPR: APPR BY HStanisch 19-11-2019	REVISION	
$\nabla = 0$	2	24029	INITIAL REVISION	2	
$\nabla = 0$	1		DRWN: DRAWN BY Anke.Meyer-Richter 29-03-2007	DOCUMENT NUMBER	
$\nabla = 0$	REV.	CH.-NO.	APPR: APPR BY KBurkhardt 02-04-2007	FMK5G-50S-3360	
$\nabla = 0$			REPLACEMENT FOR:	CUSTOMER	
$\nabla = 0$			THIRD ANGLE PROJECTION	GENERAL MARKET	
$\nabla = 0$			DRAWING	SHEET NUMBER	
			A3-SIZE	1 OF 1	

COMMENT: ALL RIGHTS ARE RESERVED BY US FOR THIS DRAWING. WITHOUT OUR PRIOR CONSENT, IT MAY NEITHER BE DUBLICATED NOR MADE AVAILABLE TO A THIRD PARTY, AND IT ALSO MAY NOT BE IMPROPERLY USED BY THE RECEIVER, OR A THIRD PARTY.