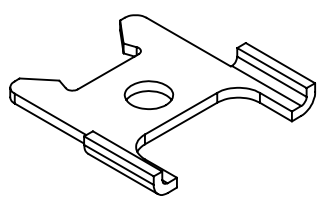
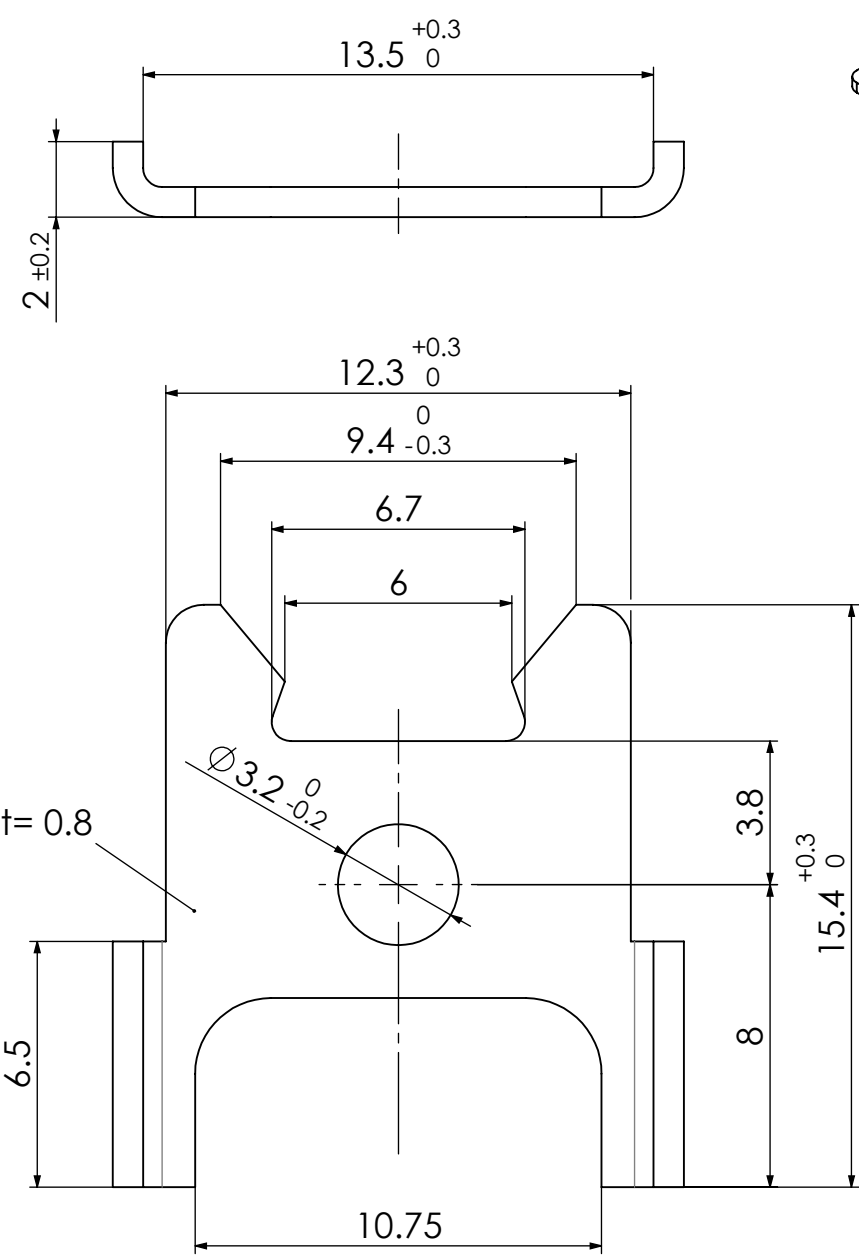


1 2 3 4

A  
B  
C  
D  
E  
F



MATERIAL NO.	Part-No.
1731120536	F65M134E500+S

RoHS compliant  
by exemption

F65M143E500	Stainless steel	blank
Part No.	Material	Surface plating/Colour/Class

<b>SYMBOLS</b> F = 0 E = 0 F = 0 S = 0 ▼ = 0 C = 0 ☒ = 0 ■ = 0 ▽ = 0	THIS DRAWING CONTAINS INFORMATION THAT IS PROPRIETARY TO MOLEX ELECTRONIC TECHNOLOGIES, LLC AND SHOULD NOT BE USED WITHOUT WRITTEN PERMISSION				<h1>molex</h1> FCT Lockplate
	DIMENSION UNITS	SCALE	MEASUREMENTS WITHOUT TOLERANCE ACC. TO ISO 2768-m		
	mm	5:1	CURRENT REVISION		
	3	24130	DRWN: DRAWN BY tschneider01 26-11-2019		
	2	23607	APPR: APPR BY MTeubel 26-11-2019		
1		INITIAL REVISION			
REV.	CH.-NO.	DRWN: DRAWN BY sschref 30-10-2013		PRODUCT CUSTOMER DRAWING MATERIAL NUMBER <b>see table</b>	
		APPR: APPR BY MTeubel 31-10-2013			
REPLACEMENT FOR:		THIRD ANGLE PROJECTION	DRAWING	DOCUMENT NUMBER	REVISION
			A4-SIZE	F65M143_D	<b>3</b>
			CUSTOMER	SHEET NUMBER	
			GENERAL MARKET	1 OF 1	

COMMENT:  
 ALL RIGHTS ARE RESERVED BY US FOR THIS DRAWING. WITHOUT OUR PRIOR CONSENT,  
 IT MAY NEITHER BE DUPLICATED NOR MADE AVAILABLE TO A THIRD PARTY,  
 AND IT ALSO MAY NOT BE IMPROPERLY USED BY THE RECEIVER, OR A THIRD PARTY.