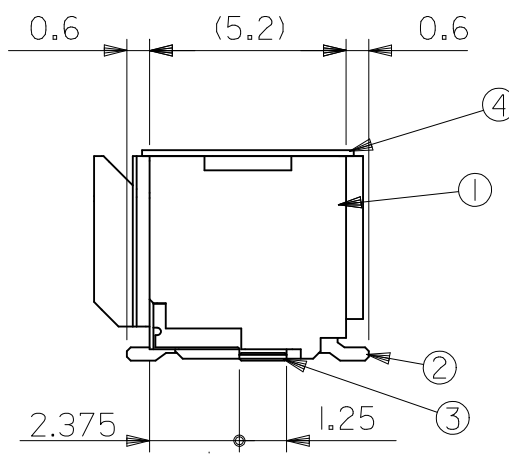
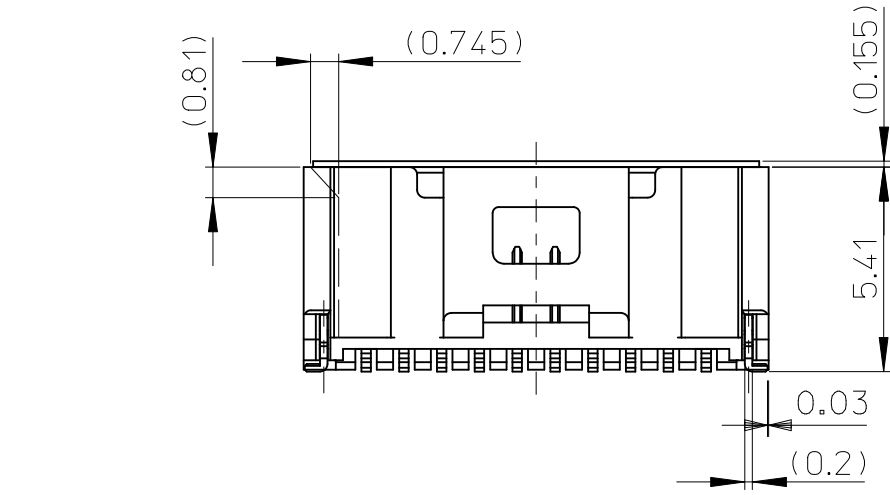


| 番号 NO. | 部品 PART | 材質 MATERIAL |
|--------|-------------------|--|
| ① | ウエハー WAFER | 46 ナイロン UL94V-0 色:自然色 46 NYLON ,UL94V-0 ,COLOR:NATURAL |
| ② | ソルダーピン SOLDER PIN | りん青銅 PHOSPHOR BRONZE 金メッキ:0.1µmMIN. GOLD ニッケルメッキ(下地):1.0µmMIN. NICKEL(UNDER PLATING) |
| ③ | ネイル NAIL | りん青銅 PHOSPHOR BRONZE 錫メッキ:1.0µmMIN. TIN ニッケルメッキ(下地):1.0µmMIN. NICKEL(UNDER PLATING) |
| ④ | カバーテープ COVER TAPE | ポリイミドテープ POLYIMIDE TAPE |



| 無 NO | 24 | 27.3 | 501190-5047 | | 50 | 501190-**49 | |
|----------------------|----|------|-------------|------------------|----|-------------|----------------------|
| | | | 19 | 22.3 | | | 501190-4047 |
| 有 YES | 14 | 17.3 | 501190-3047 | | 30 | | 501190-**39 |
| | 9 | 12.3 | 501190-2047 | | 20 | | |
| | 24 | 26.8 | 27.3 | 501190-5037 | | 50 | |
| カバーテープの有無 COVER TAPE | 19 | 21.8 | 22.3 | 501190-4037 | | 40 | 501190-**39 |
| | 14 | 16.8 | 17.3 | 501190-3037 | | 30 | |
| | 9 | 11.8 | 12.3 | 501190-2037 | | 20 | |
| | C | B | A | EMBOSSED PACKAGE | | 極数 CKT | CONNECTOR SERIES NO. |
| | | | | オーダー番号 ORDER NO. | | | |

- NOTES.
1. 嵌合相手: 501189-****
MATE WITH: 501189-****
 2. ソルダーピン及びネイル平坦度
SOLDER PIN AND NAIL COPLANARITY

| | 20-40 CKT | 50 CKT |
|-------------------------------------|-----------|-----------|
| リフロー前 BEFORE REFLOW | 0.1 MAX. | 0.1 MAX. |
| リフロー中, 後 INSIDE AND AFTER REFLOW | | 0.15 MAX. |

3. 極数/2=偶数に適用
APPLY FOR CKT SIZE/2=EVEN
4. ELV及びRoHS適合品
ELV AND RoHS COMPLIANT

| | | | | | | |
|---|--------------|---|----------------------------|---|---|------------------------|
| REVISED EC NO: J2011-1289 DRWN:YOSHIKAWA 2011/03/30 CHKD:KASAKAWA 2011/03/30 APPR:NUKITA 2011/04/01 | DESCRIPTION | GENERAL TOLERANCES (UNLESS SPECIFIED) | DIMENSION STYLE MM ONLY | SCALE 5:1 | DESIGN UNITS METRIC | THIRD ANGLE PROJECTION |
| | REV | 10 UNDER ±0.2 | DRAWN BY M.NABEI | DATE '07/03/12 | TITLE 1.0 WIRE TO BOARD CONN. WAFER ASS'Y (2-ROW S/T) | |
| | | 10 OVER 30 UNDER ±0.25 | CHECKED BY K.TOYODA | DATE '07/03/12 | MOLEX MOLEX INCORPORATED | |
| | | 30 OVER ±0.3 | APPROVED BY N.UKITA | DATE '07/03/12 | DOCUMENT NO. RSD-501190-001 | SHEET NO. 1 OF 1 |
| | ANGULAR ±3 ° | DRAFT WHERE APPLICABLE MUST REMAIN WITHIN DIMENSIONS | MATERIAL NO. SEE TABLE | THIS DRAWING CONTAINS INFORMATION THAT IS PROPRIETARY TO MOLEX INCORPORATED AND SHOULD NOT BE USED WITHOUT WRITTEN PERMISSION | | |