

ORDERING CODE: **FLH - RXX - XX - X XX**

FLH SERIES

CABLE CONFIGURATION
SEE TABLE 1

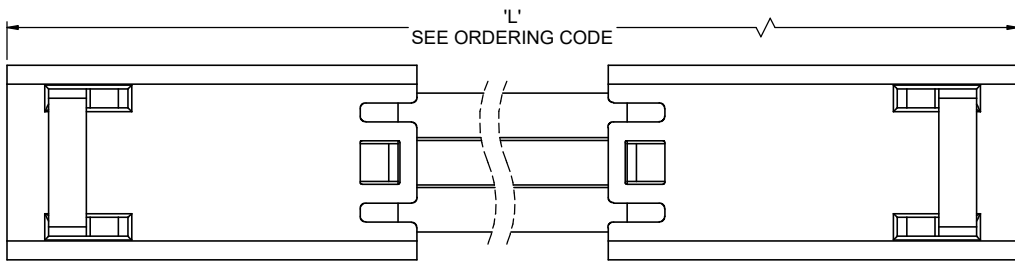
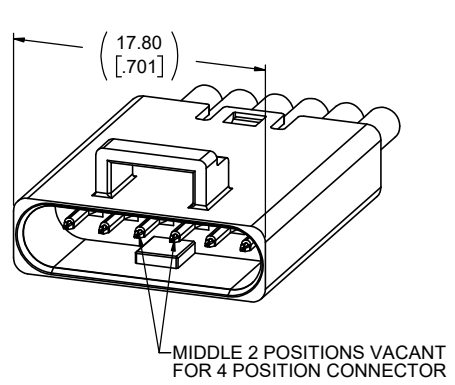
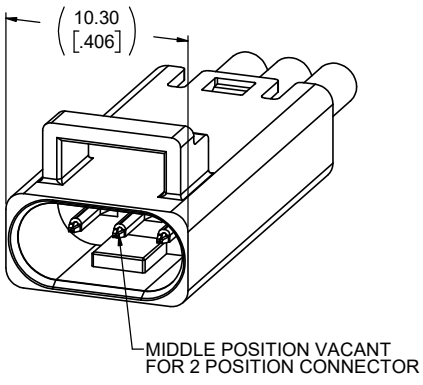
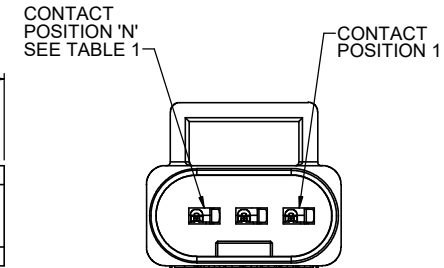
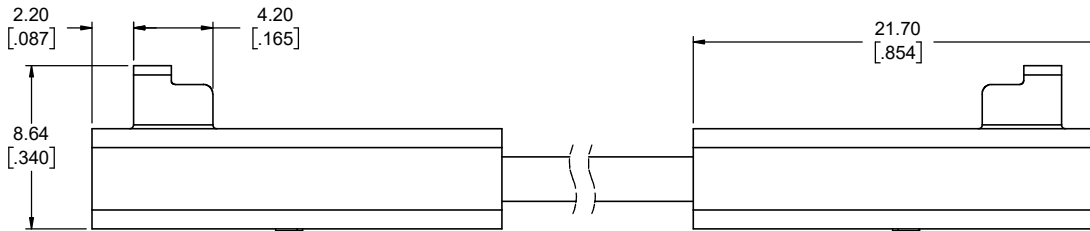
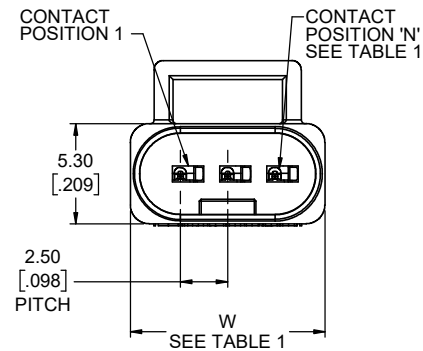
HOUSING COLOR
00 = BLACK HOUSING
W0 = WHITE HOUSING

WIRE GAUGE
8 = 18 AWG
0 = 20 AWG
2 = 22 AWG

WIRE LENGTH 'L'

CODE	WIRE LENGTH 'L'
10 TO 99	LENGTH IN CM
A0 TO A9	1 METER + 0 TO 9 DECIMETERS
B0 TO B9	2 METER + 0 TO 9 DECIMETERS
C0 TO C9	3 METER + 0 TO 9 DECIMETERS
D0 TO D9	4 METER + 0 TO 9 DECIMETERS
E0 TO E9	5 METER + 0 TO 9 DECIMETERS
F0 TO F9	6 METER + 0 TO 9 DECIMETERS
G0 TO G9	7 METER + 0 TO 9 DECIMETERS
H0 TO H9	8 METER + 0 TO 9 DECIMETERS
J0 TO J9	9 METER + 0 TO 9 DECIMETERS
K0 TO K9	10 METER + 0 TO 9 METERS
L0 TO L9	20 METER + 0 TO 9 METERS
M0 TO M9	30 METER + 0 TO 9 DECAMETERS

EXAMPLE: 75 CM = 75, 25 M = L5, 80 M = M5



NOTES:

- MATERIALS: ALL MATERIALS ARE RoHS COMPLIANT PER EU DIRECTIVE 2011/65/EU & AMENDMENTS
 - HOUSING: ENGINEERING THERMOPLASTIC, UL FLAMMABILITY RATING 94V-0, COLOR PER ORDERING CODE
 - SEALS: SILICONE RUBBER, COLOR BLACK
 - WIRE: TINNED COPPER CONDUCTOR, PVC INSULATION FOR 18, 20 & 22 AWG WIRES, COLOR BLACK
- ELECTRICAL CHARACTERISTICS:
 - CURRENT RATING: 7A (18 AWG OR 1mm²) OR 5A (20 AWG OR 0.5 mm²) OR 3A (22 AWG OR 0.34 mm²) PER CONTACT
 - DIELECTRIC WITHSTANDING VOLTAGE: 1500 VAC
 - INSULATION RESISTANCE: 500 MEGAOHMS
 - OPERATING TEMPERATURE: -40 °C TO +105 °C
- ENVIRONMENTAL PROTECTION: IP67 PER IEC 60529 IN MATED CONDITION.

CABLE CONFIGURATION		NO. CONTACTS 'N'	WIDTH 'W'
STRANDED WIRE	SOLID WIRE		
R2C	R2P	2	10.30 [406]
R3C	R3P	3	
R4C	R4P	4	17.80 [701]
R6C	R6P	6	



UNLESS SPECIFIED OTHERWISE	DRAWN S.MUGAN	JAN22/22
PRIMARY UNITS MILLIMETERS	CHECKED M.PAHULJE	FEB04/22
SECONDARY INCHES	M.E. APP'D	
REFERENCE IN PARENTHESES	O.A. APP'D	
GENERAL TOLERANCES	DWG APPR.	
1 DECIMAL PLACE	ENG. REL. NO.	
2 DECIMAL PLACES	REF.	
3 DECIMAL PLACES		
ANGULAR DEGREES	THIRD ANGLE PROJECTION	DO NOT SCALE DRAWING

Amphenol Canada Corp.
Commercial Products

FLH SERIES, MINI SEALED 2.5mm PITCH RECEPTACLE CABLE ASSEMBLY, RoHS COMPLIANT

DWG. NO. **P-FLH-RXX-XX-XXX** REV **E**

CODE ID NO. 03554 DWG SIZE: X SCALE: 5:1 SHEET 1 OF 1

REVISIONS			
REV	DESCRIPTION, ECN, EAR NO.	DATE	APP'D
C	PROPOSAL DWG - REV PER EAR 15058	FEB15/22	S.M.
D	PRODUCT DWG - NEW PER EAR 15058	JUL25/22	S.M.
E	PRODUCT DWG - REV PER EAR 15058	AUG09/22	S.M.