

PART NUMBER: FLH - PX1 - XX - X

SERIES
FLH

PIN HOUSING TYPE

- P1 = 1 CONTACT
- P2 = 2 CONTACTS
- P3 = 3 CONTACTS
- P4 = 4 CONTACTS
- P5 = 5 CONTACTS
- P6 = 6 CONTACTS

IDENTIFIER

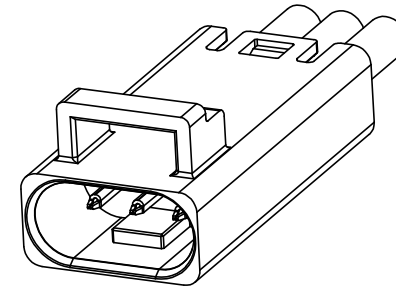
XX = 00 FOR STANDARD
= 01-99 FOR OTHER OPTIONS

OTHER FEATURES

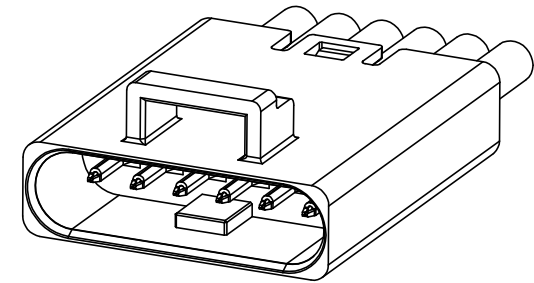
LEAVE BLANK FOR STANDARD
0 TO 9 FOR OTHER OPTIONS

PIN HOUSING	W (mm)
P1	
P2	10.30
P3	
P4	
P5	17.80
P6	

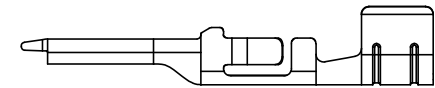
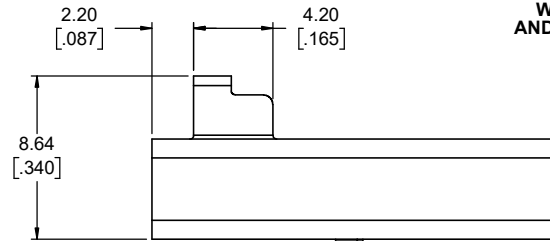
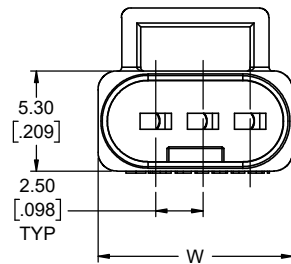
REVISIONS			
REV	DESCRIPTION, ECN, EAR NO.	DATE	APP'D
P	PRODUCT DWG. - REV. PER EAR 15100	MAY03/22	S.M.
R	PRODUCT DWG. - REV. PER EAR 15058	JUL22/22	S.M.
S	PRODUCT DWG. - REV. PER EAR 15058	AUG10/22	S.M.



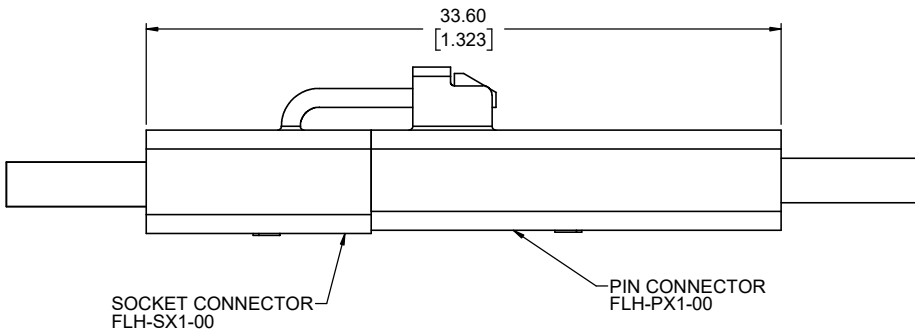
**APPLICATION VIEW
WITH 3 CONTACTS
AND WIRES INSTALLED**



**APPLICATION VIEW
WITH 6 CONTACTS
AND WIRES INSTALLED**



**FLH-PC136-XXX - PIN CONTACT
SEE NOTES 3 & 4
SCALE 10:1**



MATED VIEW WITH WIRES INSTALLED

NOTES:

- MATERIALS:** ALL MATERIALS ARE RoHS COMPLIANT PER EU DIRECTIVE 2011/65/EU & AMENDMENTS
 - HOUSING: ENGINEERING THERMOPLASTIC, UL FLAMMABILITY RATING 94V-0, COLOUR BLACK
 - SEALS: SILICONE RUBBER, UL FLAMMABILITY RATING 94V-0
- ELECTRICAL CHARACTERISTICS**
 - CURRENT RATING: 7A (18 AWG OR 1mm²) OR 5A (20 AWG OR 0.5 mm²) OR 3A (22 AWG OR 0.34 mm²) PER CONTACT
 - DIELECTRIC WITHSTANDING VOLTAGE: 1500 VAC
 - INSULATION RESISTANCE: 500 MEGAOHMS
 - OPERATING TEMPERATURE: -40°C TO +105°C
- CRIMP STRANDED WIRE TO CONTACT BEFORE ASSEMBLING INTO HOUSING.
- ENVIRONMENTAL PROTECTION: IP67 PER IEC 60529 IN MATED CONDITION.
- PIN CONTACTS TO BE PURCHASED SEPARATELY ON REEL. P/N: FLH-PC136-XXX

UNLESS SPECIFIED OTHERWISE	DRAWN	B.COPPING	FEB20/18
PRIMARY UNITS MILLIMETERS	CHECKED	S.MUGAN	FEB20/18
SECONDARY INCHES	M.E. APP'D		
REFERENCE IN PARENTHESES	Q.A. APP'D		
GENERAL TOLERANCES	DWG APPR.		
1 DECIMAL PLACE	ENG. REL. NO.		
2 DECIMAL PLACES ±0.10	REF.		
3 DECIMAL PLACES	THIRD ANGLE PROJECTION		
ANGULAR DEGREES	DO NOT SCALE DRAWING		

Amphenol Canada Corp.
Commercial Products

**FLH SERIES, MINI SEALED 2.5mm PITCH
RECEPTACLE HOUSING ASSEMBLY, 1 TO 6
CONTACT OPTIONS, RoHS COMPLIANT**

DWG. NO. **P-FLH-PX1-XX-X** REV **S**

CODE ID NO. 03554 | DWG SIZE: X | SCALE: 5:1 | SHEET 1 OF 1