

ORDERING CODE: **FLH - BXX - XX - X XX**

FLH SERIES

CABLE CONFIGURATION  
SEE TABLE 1

HOUSING COLOR

00 = BLACK HOUSING  
W0 = WHITE HOUSING

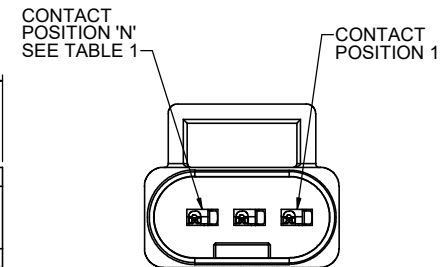
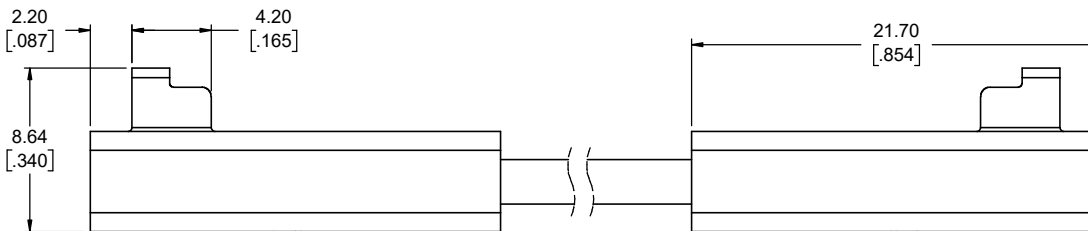
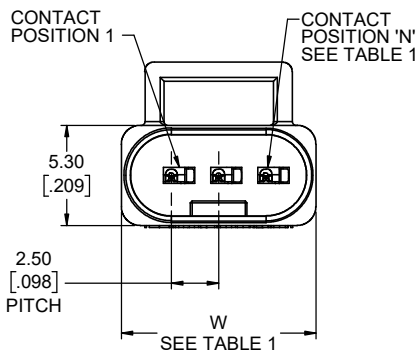
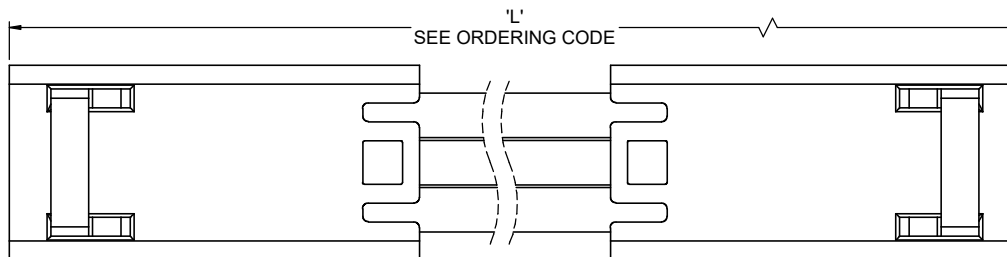
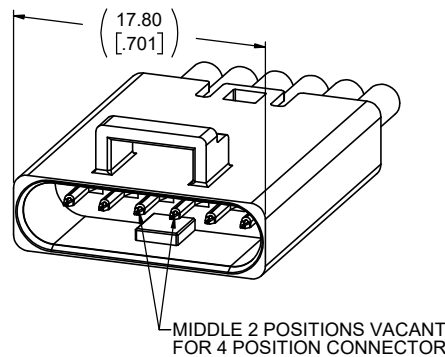
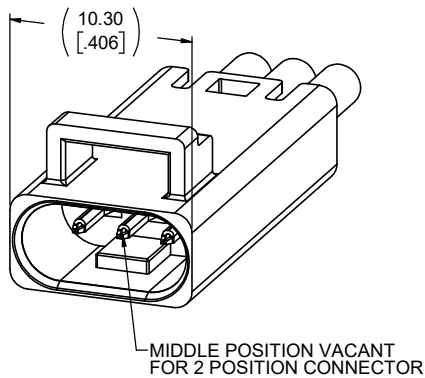
WIRE GAUGE

8 = 18 AWG  
0 = 20 AWG  
2 = 22 AWG

WIRE LENGTH 'L'

CODE	WIRE LENGTH 'L'
10 TO 99	LENGTH IN CM
A0 TO A9	1 METER + 0 TO 9 DECIMETERS
B0 TO B9	2 METER + 0 TO 9 DECIMETERS
C0 TO C9	3 METER + 0 TO 9 DECIMETERS
D0 TO D9	4 METER + 0 TO 9 DECIMETERS
E0 TO E9	5 METER + 0 TO 9 DECIMETERS
F0 TO F9	6 METER + 0 TO 9 DECIMETERS
G0 TO G9	7 METER + 0 TO 9 DECIMETERS
H0 TO H9	8 METER + 0 TO 9 DECIMETERS
J0 TO J9	9 METER + 0 TO 9 DECIMETERS
K0 TO K9	10 METER + 0 TO 9 METERS
L0 TO L9	20 METER + 0 TO 9 METERS
M0 TO M9	30 METER + 0 TO 9 DECAMETERS

EXAMPLE: 75 CM = 75, 25 M = L5, 80 M = M5



**NOTES:**

- MATERIALS: ALL MATERIALS ARE RoHS COMPLIANT PER EU DIRECTIVE 2011/65/EU & AMENDMENTS
  - HOUSING: ENGINEERING THERMOPLASTIC, UL FLAMMABILITY RATING 94V-0, COLOUR PER ORDERING CODE
  - WIRE: TINNED COPPER CONDUCTOR, PVC INSULATION FOR 18, 20 & 22 AWG WIRES, COLOR BLACK
- ELECTRICAL CHARACTERISTICS:
  - CURRENT RATING: 7A (18 AWG OR 1mm<sup>2</sup>) OR 5A (20 AWG OR 0.5 mm<sup>2</sup>) OR 3A (22 AWG OR 0.34 mm<sup>2</sup>) PER CONTACT
  - DIELECTRIC WITHSTANDING VOLTAGE: 1500 VAC
  - INSULATION RESISTANCE: 500 MEGAOHMS
  - OPERATING TEMPERATURE: -40°C TO +105°C
- IP20 PROTECTION PER IEC 60529

CABLE CONFIGURATION		NO. CONTACTS 'N'	WIDTH 'W'
STRANDED WIRE	SOLID WIRE		
B2C	B2P	2	10.30 [406]
B3C	B3P	3	
B4C	B4P	4	17.80 [701]
B6C	B6P	6	



UNLESS SPECIFIED OTHERWISE	DRAWN	S.MUGAN	JUN02/22
PRIMARY UNITS MILLIMETERS	CHECKED		
SECONDARY INCHES	M.E. APP'D		
REFERENCE IN PARENTHESES	Q.A. APP'D		
GENERAL TOLERANCES	DWG APPR.		
1 DECIMAL PLACE	ENG. REL. NO.		
2 DECIMAL PLACES	REF.		
3 DECIMAL PLACES	THIRD ANGLE PROJECTION		
ANGULAR DEGREES	DO NOT SCALE DRAWING		

**Amphenol Canada Corp.**  
Commercial Products

FLH SERIES, MINI 2.5mm PITCH  
RECEPTACLE CABLE ASSEMBLY,  
RoHS COMPLIANT

DWG. NO.	REV
P-FLH-BXX-XX-XXX	C
CODE ID NO. 03554	DWG SIZE: X
SCALE: 5:1	SHEET 1 OF 1