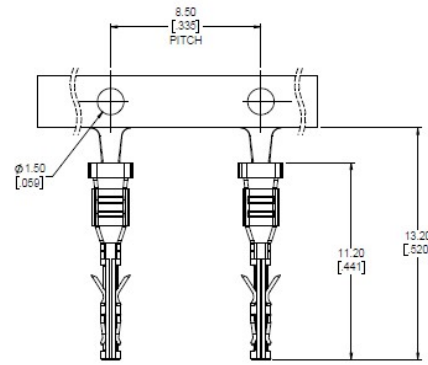


FLH-CT-S-1-02 APPLICATOR

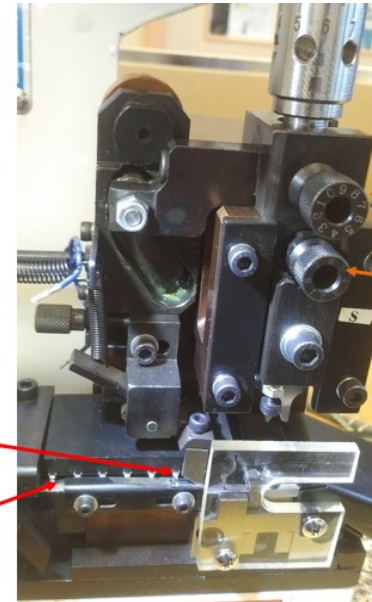


SOCKET CONTACT FLH-SC136-1-T01

REVISIONS			
REV	DESCRIPTION, ECN, EAR NO.	DATE	APP'D
A	PROPOSAL DWG. NEW PER EAR 15148	JUN30/22	S.M



FLH-CT-0-02 CRIMP MACHINE WITH APPLICATOR



Contact Index
Contact

Wire crimp adjuster
Pull and rotate to make adjustments

Insulation crimp adjuster
Pull and rotate to make adjustments

IMPORTANT
Only wire and insulator adjustments are made, and nothing else

NOTES:

1. CRIMP SOCKET APPLICATOR SHOULD BE USED WITH FLH-CT-0-02 CRIMP MACHINE OR ADOPTED TO OTHER CRIMPING MACHINES
2. CRIMP TOOLE IS INCLUDED WITH THE APPLICATOR
3. SOCKET CONTACT, FLH-SC136-T01 IN REEL ONLY TO BE USED WITH THIS APPLICATOR
4. PLEASE REFER TO APPLICATION SPECIFICATION NO. S 6147C
5. FOR ORDERING INFORMATION PLEASE CONTACT THE AMPHENOL REPRESENTATIVE



AMPHENOL PART No. FLH-CT-S-1-02

UNLESS SPECIFIED OTHERWISE	DRAWN	S.MUGAN	FEB04/21
PRIMARY UNITS MILLIMETERS	CHECKED		
SECONDARY	M.E. APP'D		
REFERENCE IN PARENTHESES	Q.A. APP'D		
GENERAL TOLERANCES	DWG APPR.		
1 DECIMAL PLACE	ENG. REL. NO.		
2 DECIMAL PLACES	REF.		
3 DECIMAL PLACES			
ANGULAR DEGREES	THIRD ANGLE PROJECTION		DO NOT SCALE DRAWING

Amphenol Canada Corp. Commercial Products	
FLH SOCKET CRIMP APPLICATOR SEMI-AUTOMATIC	
DWG. NO.	REV
P-FLH-CT-S-02	A
CODE ID NO. 03554	DWG SIZE: X
SCALE: 5:1	SHEET 1 OF 1