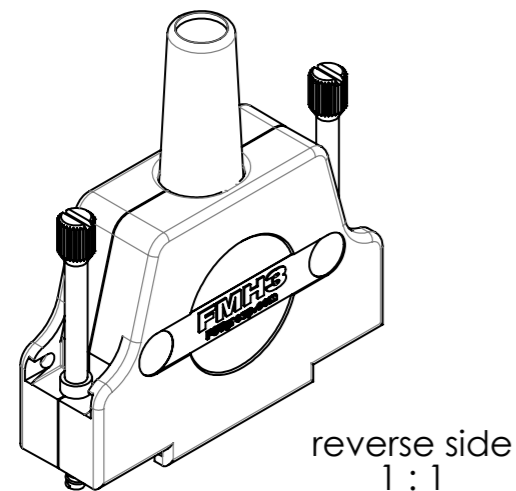
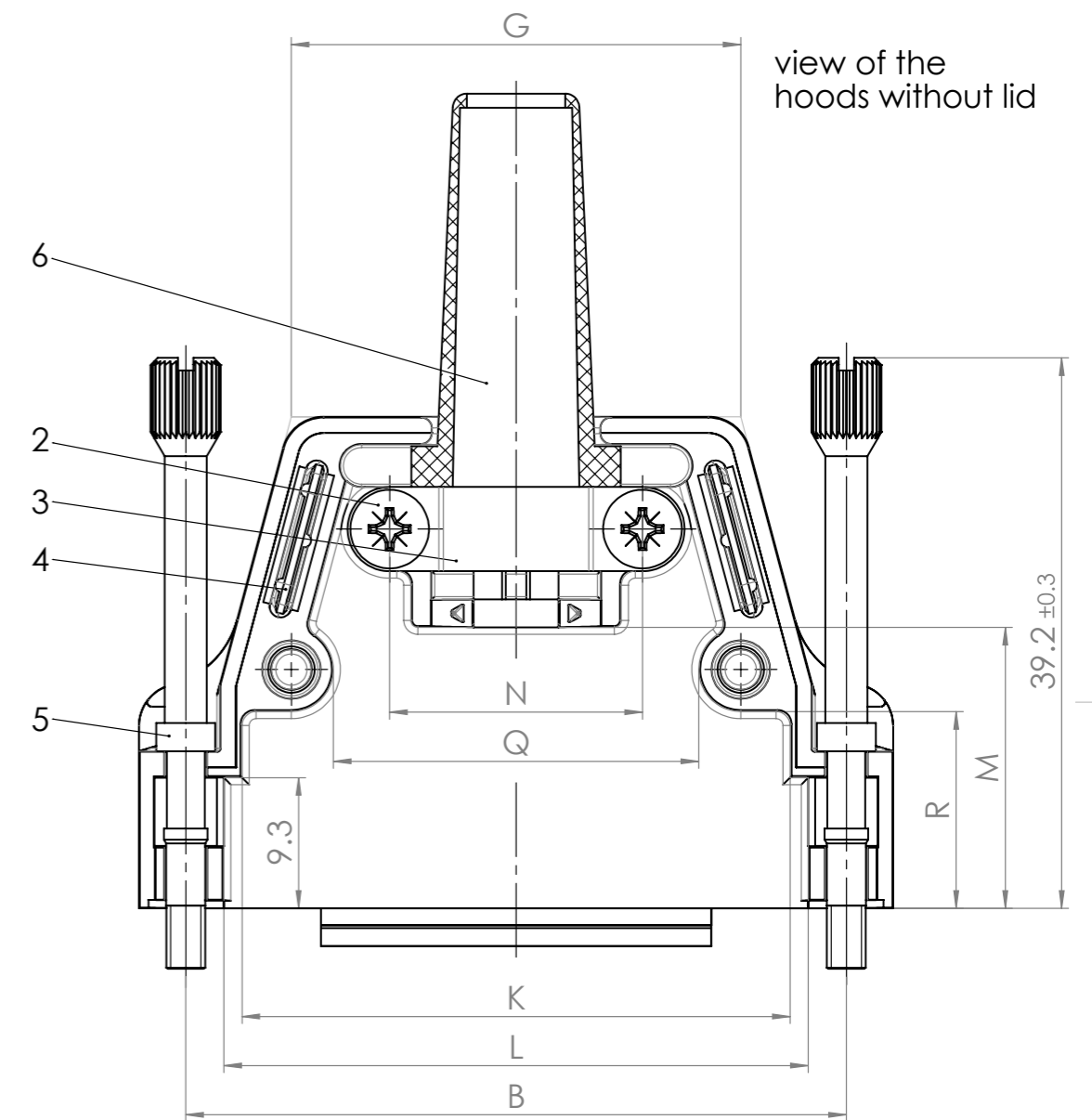
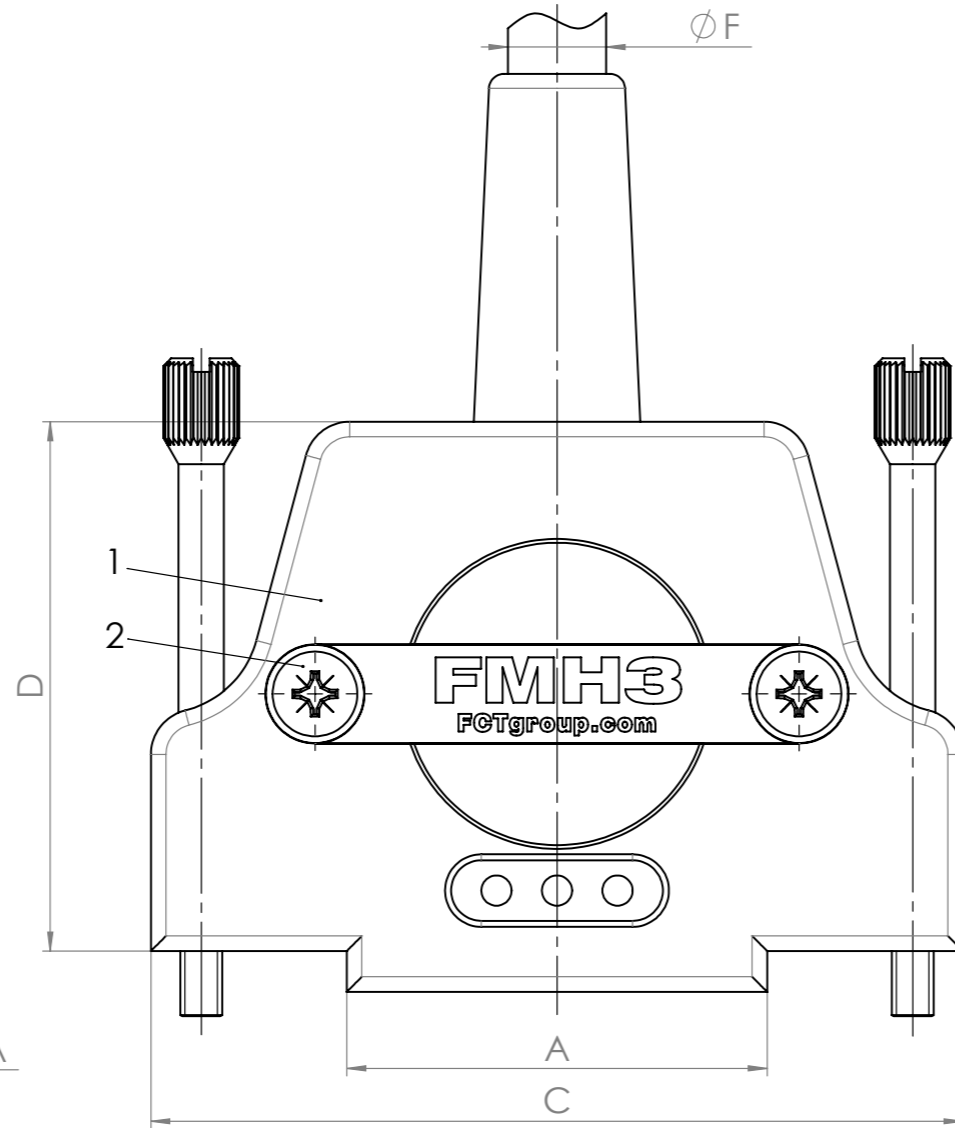
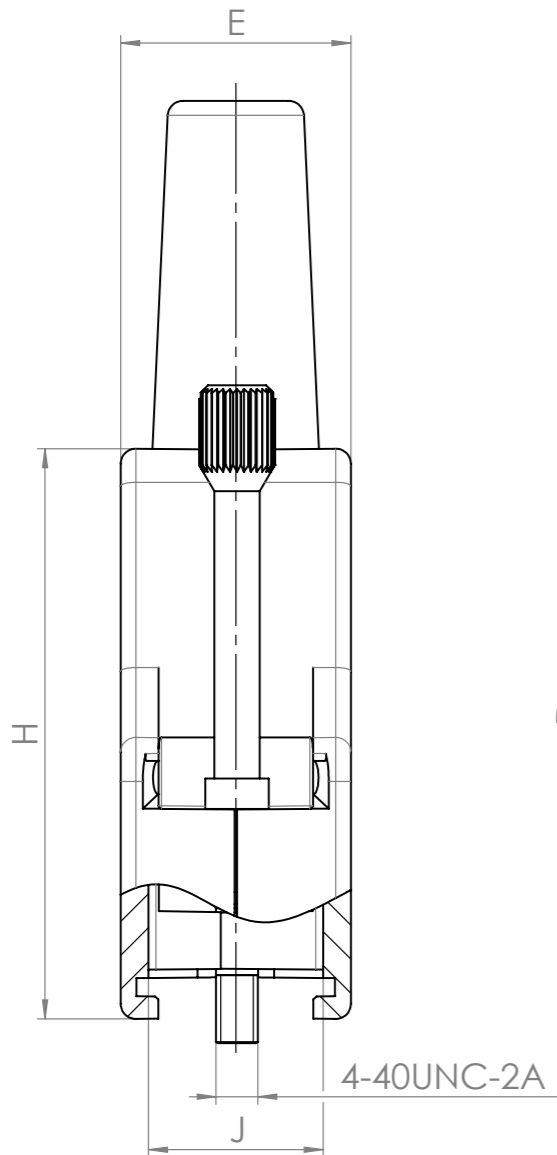


| 1            | 2         | 3                                | 4      | 5      | 6      | 7      | 8      |               |       |                    |        |        |        |        |        |        |        |        |        |
|--------------|-----------|----------------------------------|--------|--------|--------|--------|--------|---------------|-------|--------------------|--------|--------|--------|--------|--------|--------|--------|--------|--------|
| Material-No. | Order-No. | Shell Size / for No. of Contacts | A ±0.3 | B ±0.1 | C ±0.3 | D ±0.3 | E ±0.3 | ∅F1 min - max | max l | ∅F2 Rubber bushing | G ±0.3 | H ±0.3 | J ±0.3 | K ±0.3 | L ±0.3 | M ±0.5 | N ±0.3 | Q ±0.3 | R ±0.3 |
| 1731110318   | FMH1-3081 | 1 / 9                            | 10     | 25     | 31.7   | 30     | 15.2   | 5 - 8         | 6.5   | FKT1-2             | 19.8   | 32.7   | 11.5   | 17     | 19.6   | 14     | 12     | -      | 13     |
| 1731110320   | FMH2-3081 | 2 / 15                           | 16.1   | 33.3   | 40     | 32     | 15     | 5 - 8.5       | 6.5   | FKT1-2             | 21.8   | 34.7   | 11.4   | 25.5   | 27.8   | 16     | 12     | 14     | 13.1   |
| 1731110308   | FMH3-3081 | 3 / 25                           | 27.8   | 47     | 53.7   | 35     | 15     | 9 - 11        | 9     | FKT3-4             | 32     | 37.7   | 11.4   | 39     | 41.6   | 20     | 18     | 26.1   | 14     |
| 1731110321   | FMH4-3081 | 4 / 37                           | 44.4   | 63.5   | 70.2   | 41     | 15     | 8.5 - 11      | 9     | FKT3-4             | 50     | 43.7   | 11.4   | 55.6   | 58     | 26     | 18     | 45     | 19     |

∅F1 = Cable diameter without rubber bushing  
∅F2 = Cable diameter with rubber bushing



RoHS compliant  
by exemption

max. torque are 40 Ncm  
Hood is snapped together  
Part-No. 2, 3, 5 and 6 not mounted

| No. | St. | Part                | Type Description/Material | Surface plating/Colour/Class |
|-----|-----|---------------------|---------------------------|------------------------------|
| 6   | 1   | Rubber bushing      | TPE                       | black                        |
| 5   | 2   | Knurled thumb screw | FRS1/5 4-40 / Brass       | nickel plated                |
| 4   | 2   | Plate insert        | PBT                       | grey                         |
| 3   | 1   | Cable clamp         | Steel                     | tin plated                   |
| 2   | 4   | Screw               | Case hardened steel       | zinc plated                  |
| 1   | 1   | Hood                | FMH1-4 / Zinc die-cast    | nickel plated                |

| SYMBOLS |       |       |       |       | THIS DRAWING CONTAINS INFORMATION THAT IS PROPRIETARY TO MOLEX ELECTRONIC TECHNOLOGIES, LLC AND SHOULD NOT BE USED WITHOUT WRITTEN PERMISSION |                        |  |                          |                 |
|---------|-------|-------|-------|-------|---|------------------------|--|--------------------------|-----------------|
| ▽ = 0   | ▽ = 0 | ▽ = 0 | ▽ = 0 | ▽ = 0 | DIMENSION UNITS   | SCALE                  | MEASUREMENTS WITHOUT TOLERANCE ACC. TO | <b>molex</b>             |                 |
| ▽ = 0   | ▽ = 0 | ▽ = 0 | ▽ = 0 | mm    | 2:1   | ISO 2768-m             | FCT Metal Hood                         |                          |                 |
| ▽ = 0   | ▽ = 0 | ▽ = 0 | ▽ = 0 | ▽ = 0 | 6   |                        | CURRENT REVISION                       | PRODUCT CUSTOMER DRAWING |                 |
| ▽ = 0   | ▽ = 0 | ▽ = 0 | ▽ = 0 | ▽ = 0 | 5   | 24131                  | DRWN: DRAWN BY mbisl                   | 28-04-2022               | MATERIAL NUMBER |
| ▽ = 0   | ▽ = 0 | ▽ = 0 | ▽ = 0 | ▽ = 0 | 4   | 23963                  | APPR: APPR BY gkrimshandl              | 05-05-2022               | REVISION        |
| ▽ = 0   | ▽ = 0 | ▽ = 0 | ▽ = 0 | ▽ = 0 | 3   | 23399                  | INITIAL REVISION                       |                          | 6               |
| ▽ = 0   | ▽ = 0 | ▽ = 0 | ▽ = 0 | ▽ = 0 | 2   | 23335                  | DRWN: DRAWN BY Anke.Meyer-Richter      | 25-02-2010               | see table       |
| ▽ = 0   | ▽ = 0 | ▽ = 0 | ▽ = 0 | ▽ = 0 | 1   |                        | APPR: APPR BY BWittek                  | 25-02-2010               | DOCUMENT NUMBER |
| ▽ = 0   | ▽ = 0 | ▽ = 0 | ▽ = 0 | ▽ = 0 | REV.  | CH.-NO.                | DRAWING                                |                          | FMH1-4-3081     |
| ▽ = 0   | ▽ = 0 | ▽ = 0 | ▽ = 0 | ▽ = 0 | REPLACEMENT FOR:  | THIRD ANGLE PROJECTION | A3-SIZE                                | CUSTOMER                 | SHEET NUMBER    |
| ▽ = 0   | ▽ = 0 | ▽ = 0 | ▽ = 0 | ▽ = 0 | FMH1-5-3081_REV.4   |                        |  | GENERAL MARKET           | 1 OF 1          |

COMMENT: ALL RIGHTS ARE RESERVED BY US FOR THIS DRAWING. WITHOUT OUR PRIOR CONSENT, IT MAY NEITHER BE DUPLICATED NOR MADE AVAILABLE TO A THIRD PARTY. AND IT ALSO MAY NOT BE IMPROPERLY USED BY THE RECEIVER, OR A THIRD PARTY.