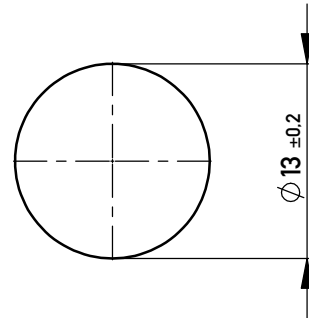
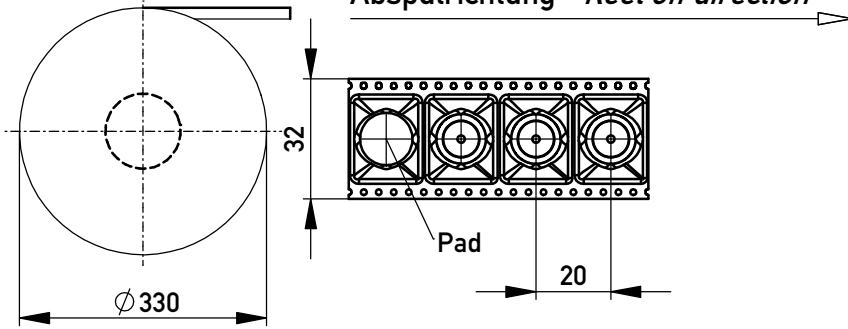
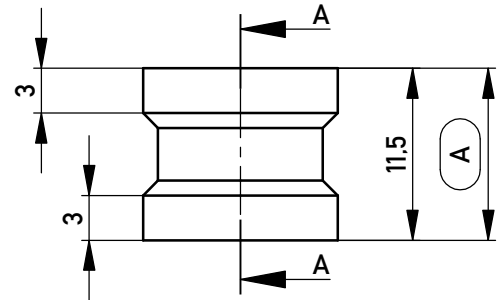
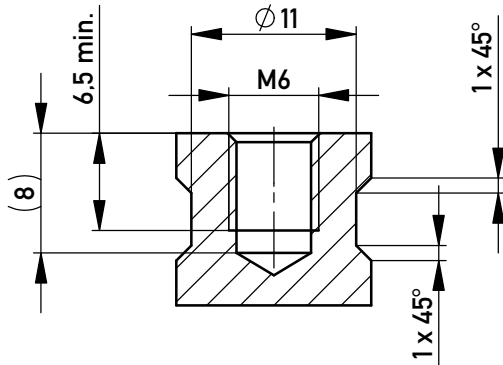


Verpackt im Gurt in Anlehnung an DIN IEC 60286-3
tape on reel packaging according to DIN IEC 60286-3
 Verpackungseinheit: 200 Stück
packaging unit: 200 pcs

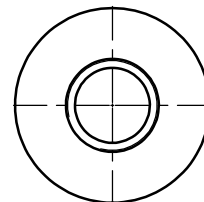
Abspulrichtung - Reel off direction



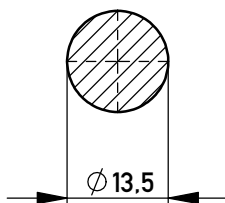
Schnitt A-A /
cross section A-A



Layout - Vorschlag
PCB - Layout proposal
 M 1:1
scale 1:1



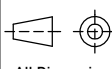

M 1:1 / scale 1:1



5-10µm Sn matt über 1-3µm Ni /
 5-10µm sn matt over 1-3µm ni

Oberfläche(A)/plating (A)

Copyright by ERNI Production GmbH & Co. KG
 Proprietary notice pursuant to ISO 16016 to be observed.

Information:		Tolerances	 All Dimensions in mm	Scale 2:1	
All rights reserved. Only for Information. To ensure that this is the latest version of this drawing, please contact one of the ERNI companies before using.		Subject to modification without prior notice. Drawing will not be updated.		Material: CuZn39Pb3	
		 www.ERNI.com		Designation PowerElement SMD female thread M6	
b	09.05.2017			225859	I
Index	Date			Class POWELM	A4