

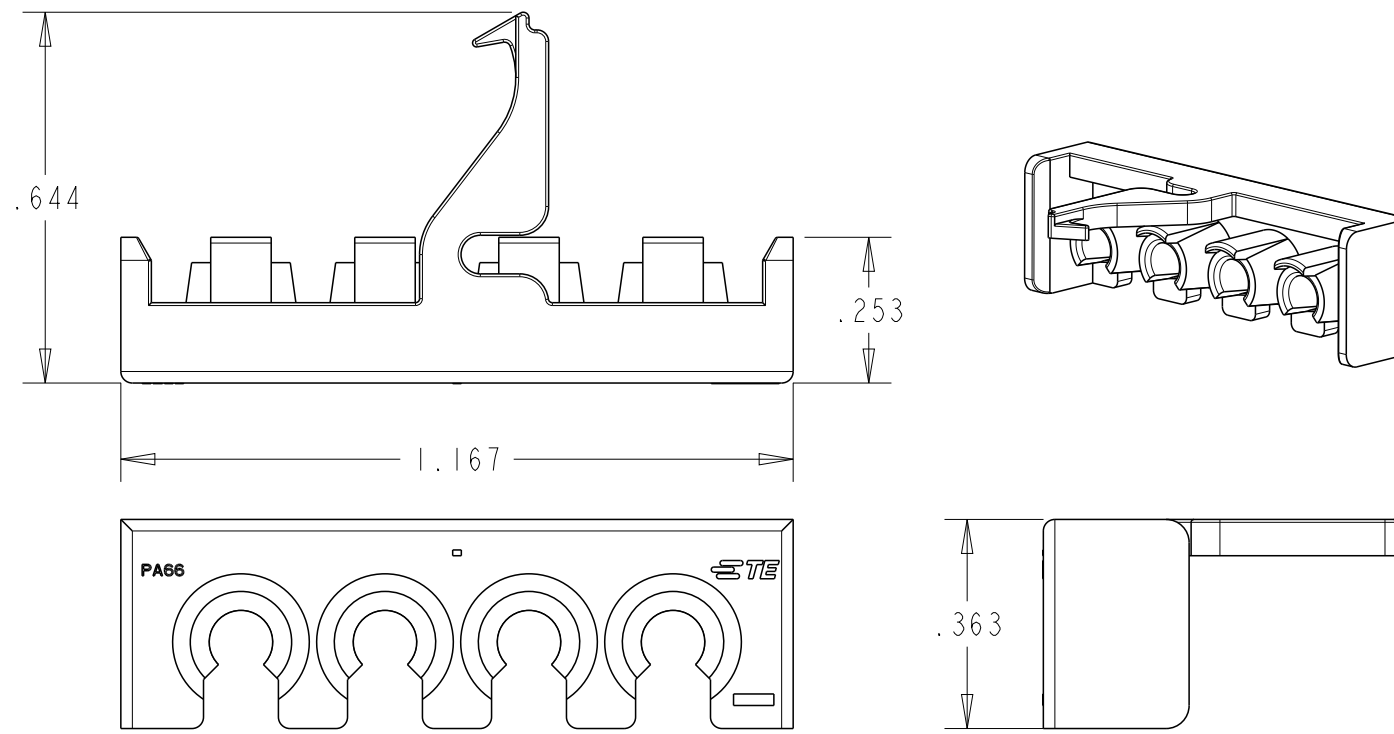
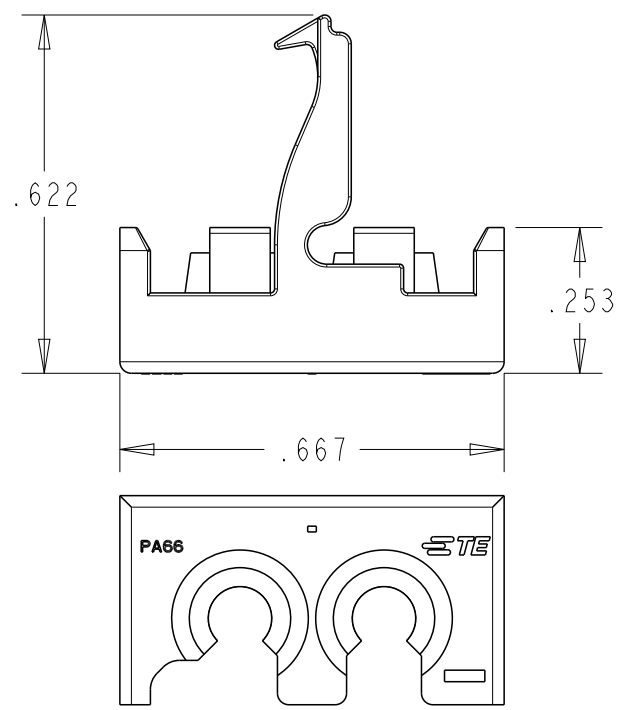
© 2021 TE Connectivity. All Rights Reserved.

1*2 POSITION

1*4 POSITION

REVISIONS

P	LTR	DESCRIPTION	DATE	DWN	APVD
2		DRAWING UPDATES	18NOV2021	RS	FS
4		MINOR UPDATES	20SEP2022	RS	BR
A		MINOR UPDATES	15NOV2022	RS	BR
AI		PRODUCTION RELEASE	17JAN2023	RS	BR



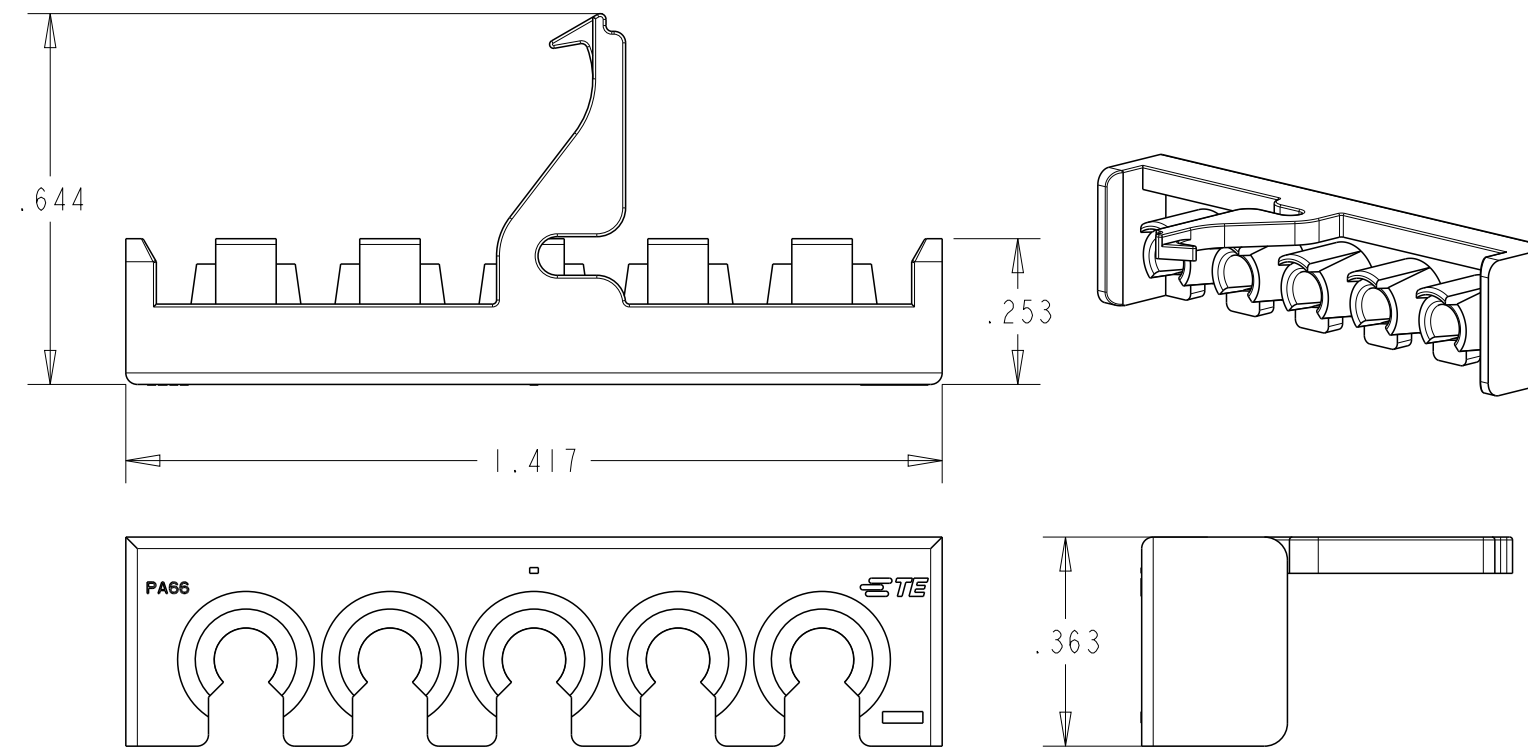
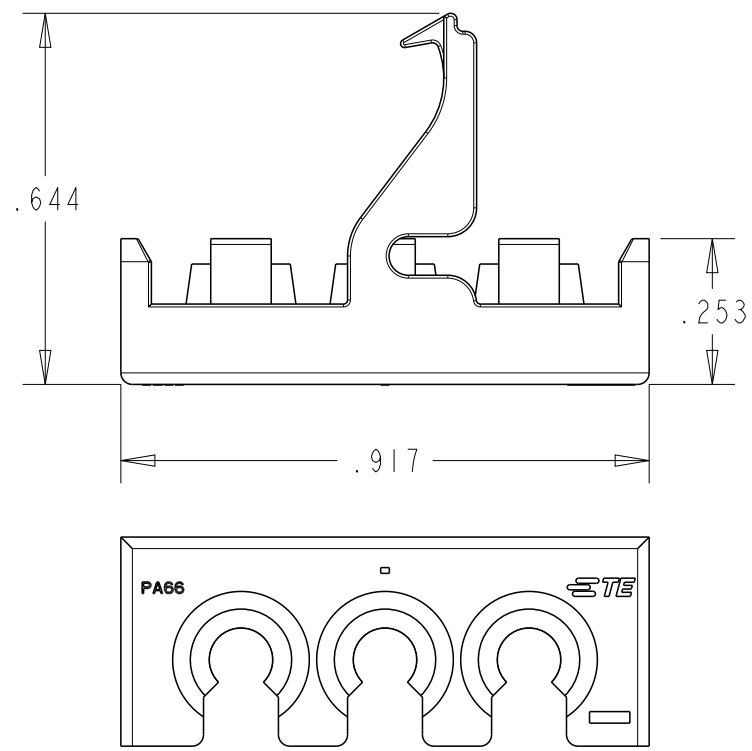
1 MATERIAL: PA66/6, UL94-V0, COLOR BLACK

2 USE WITH TERMINALS:
350218-X, 350547-X, 350536-X, 350550-X,
350654-X, 350687-X, 350705-X.

3 WIRE INSULATION DIAMETER : .060" TO .130".

1*3 POSITION

1*5 POSITION



5	2-2400680-5
4	2-2400680-4
3	2-2400680-3
2	2-2400680-2
POSITIONS	PART NUMBER

THIS DRAWING IS A CONTROLLED DOCUMENT.

DWN	RAMESH.S	06OCT2021	 TE Connectivity	NAME CAP TPA, UNIVERSAL MATE-N-LOCK					
CHK	WORKMANN.F	07OCT2021							
APVD	S.FERNANDES	07OCT2021							
PRODUCT SPEC	108-1031								
APPLICATION SPEC	114-1010		SIZE	CAGE CODE	DRAWING NO	RESTRICTED TO			
MATERIAL	PA66		A2	00779	C-2400680	-			
WEIGHT	-		CUSTOMER DRAWING	SCALE	3:1	SHEET	OF	REV	AI

DIMENSIONS:		TOLERANCES UNLESS OTHERWISE SPECIFIED:	
IN		0 PLC	±
		1 PLC	±
		2 PLC	±
		3 PLC	±0.020
		4 PLC	±
		ANGLES	±3°
		FINISH	-