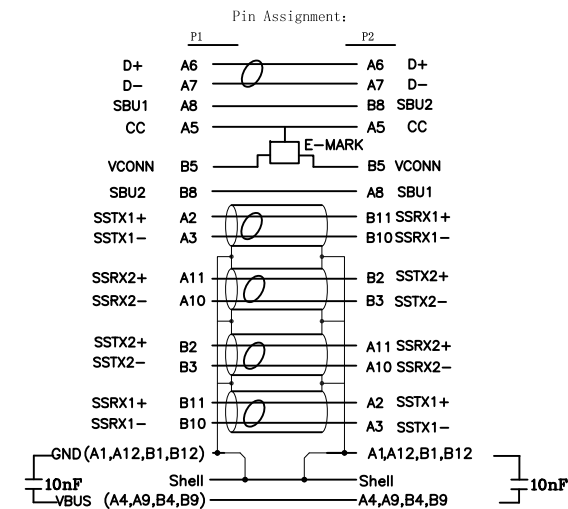


- Teat:
- 1.100% Open Short Miss Test;
  2. Conduct Resistance:  $2\Omega$  MAX.;
  3. Insulation Resistance:  $10M\Omega$  MIN DC 300V/10ms;



NO	ITEM	DESCRIPTION	Q'TY	UNIT
10	TPE~35P~Black		8.4	G
9	USB4 CM Shell (HN-ZS-0878) ~PC+ABS 3100~1*4~Black		2	PCS
8	Low pressure Inner-mplding~Transparent		6	G
7	USB4 TYPE-C~COAX~Shell 2 (HN-CY-0263) ~SUS304 H, T=0.15±0.01mm		2	PCS
6	USB4 TYPE-C~COAX~Shell 1 (HN-CY-0263) ~SUS304 H, T=0.15±0.01mm		2	PCS
5	TYPEC~Clip (HN-ZS-1064) ~Black~PA66+15%GF		2	PCS
4	USB 3.1 C Type Connector~PCB+IC VL153~Nickel Plated		1	PCS
3	USB 3.1 C Type Connector~PCB~Nickel Plated		1	PCS
2	W=3mm 25u Copper Coil		0.07	M
1	USB4~[30AWG (7/0.104SC)+EAM]*4P+[34AWG (7/0.06TC)+AM]*1P+34AWG (19/0.04TC)*4C+24AWG (41/0.08TC)*1C+EAS~OD:5.1MM~TPE~Black		0.5	M

INCHES		M/M		
.X	.015	.30		
.XX	.010	.10		
.XXX	.005	.05		TITLE: USB4 Type-C To Type-C Cable Assembly Gen3 5A 240W(EPR) With E-Mark(Twisted Pair Cable)
DRAWN BY		CUSTOMER P/N :		DRAWING NO.: REV. A0 1/1
CHECK BY		SCALE	NONE	
APPD BY		UNIT	MM	
		DATE	2023.03.30	