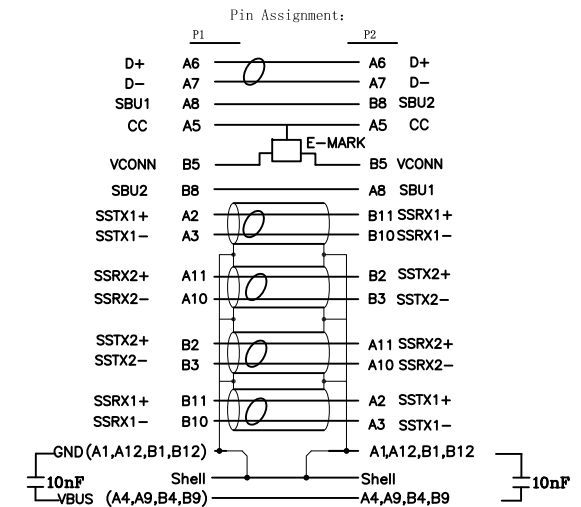


- Teat:
- 1.100% Open Short Miss Test;
 2. Conduct Resistance: 2Ω MAX.;
 3. Insulation Resistance: $10M\Omega$ MIN DC 300V/10ms;



NO	ITEM	DESCRIPTION	Q'TY	UNIT
10	TPE~35P~Black		8.4	G
9	USB4 CM Shell (HN-ZS-0878) ~PC+ABS 3100~1*4~Black		2	PCS
8	Low pressure Inner-mplding~Transparent		6	G
7	USB4 TYPE-C~COAX~Shell 2 (HN-CY-0263) ~SUS304 H, T=0.15±0.01mm		2	PCS
6	USB4 TYPE-C~COAX~Shell 1 (HN-CY-0263) ~SUS304 H, T=0.15±0.01mm		2	PCS
5	TYPEC~Clip (HN-ZS-1064) ~Black~PA66+15%GF		2	PCS
4	USB 3.1 C Type Connector~PCB+IC VL153~Nickel Plated		1	PCS
3	USB 3.1 C Type Connector~PCB~Nickel Plated		1	PCS
2	W=3mm 25u Copper Coil		0.07	M
1	USB4~[30AWG (7/0.104SC)+EAM]*4P+[34AWG (7/0.06TC)+AM]*1P+34AWG (19/0.04TC)*4C+24AWG (41/0.08TC)*1C+EAS~OD:5.1MM~TPE~Black		1.0	M

		INCHES	M/M	SECOMP		
⊕	□	.X	.015			.30
		.XX	.010			.10
		.XXX	.005	.05	TITLE: USB4 Type-C To Type-C Cable Assembly Gen3 5A 240W(EPR) With E-Mark(Twisted Pair Cable)	
DRAWN BY				CUSTOMER P/N :		
CHECK BY				SCALE	NONE	
APPD BY				UNIT	MM	
				DATE	2023.03.30	
				DRAWING NO.:	REV. A0	
					1/1	