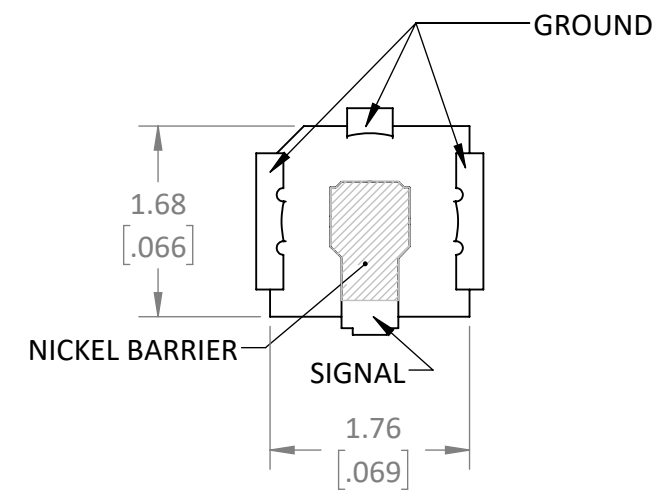
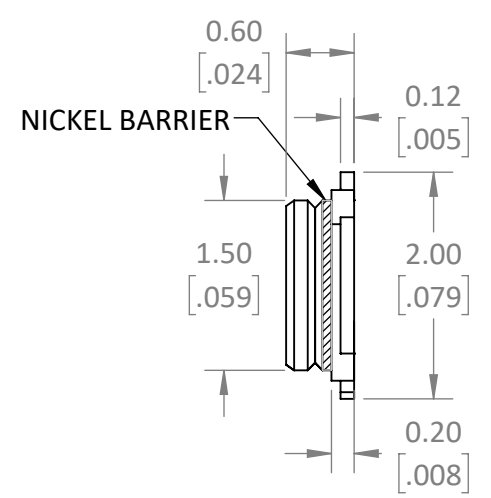
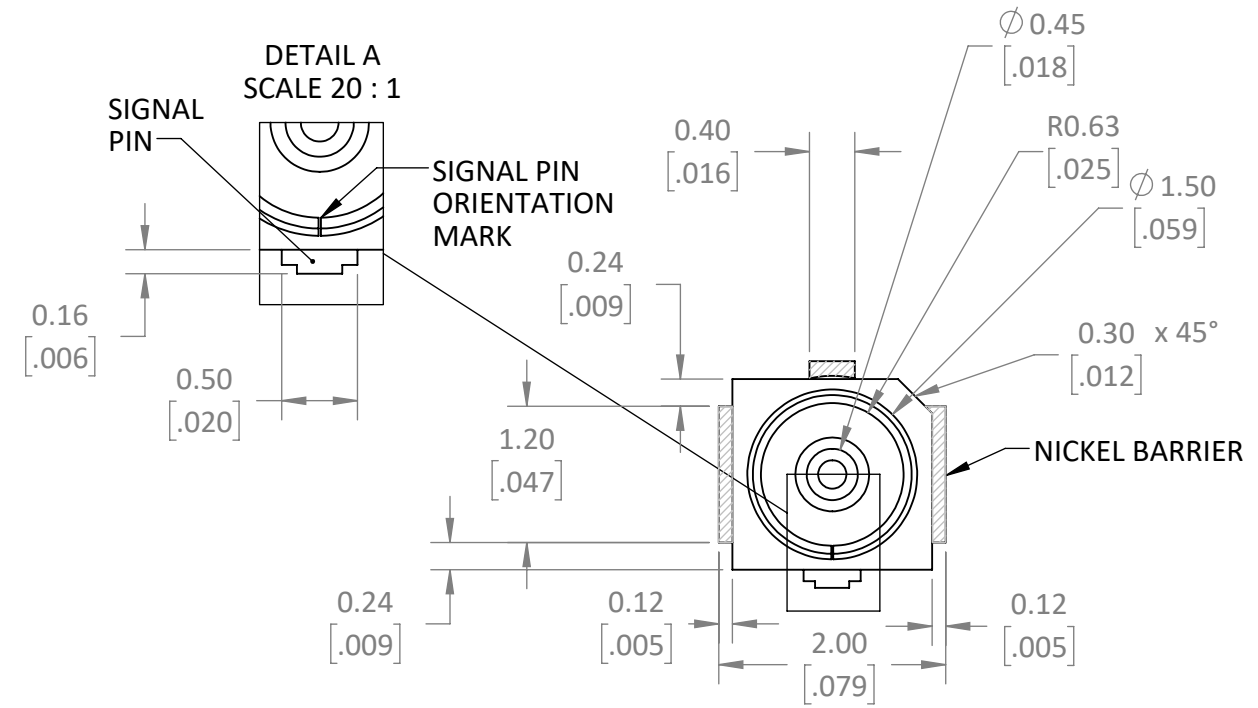
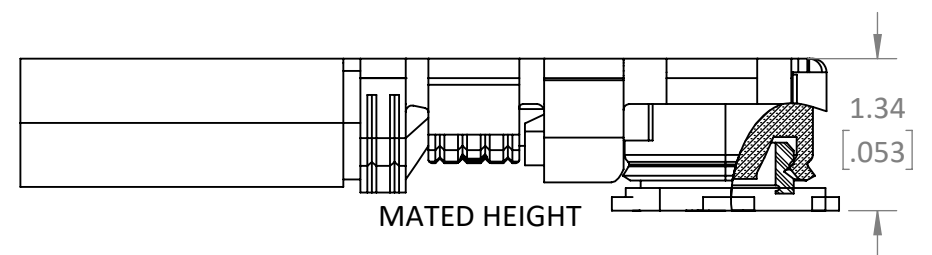
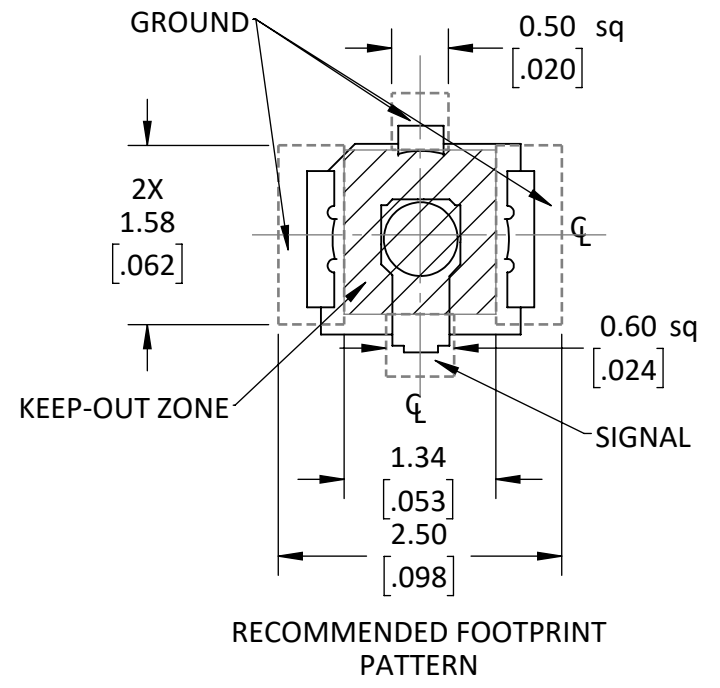


REVISIONS			
REV	DESCRIPTION	DATE	APPV
A	PRODUCTION RELEASE	JHAGER 9/13/21	DV 9/17/21



- NOTES: (UNLESS OTHERWISE SPECIFIED)
1. ALL DIMENSIONS ARE IN MILLIMETERS [IN].
 2. DIMENSIONS APPLY AFTER FINISHING.
 3. MANUFACTURE TO BE COMPLIANT WITH EU RoHS DIRECTIVE, USE MATERIALS THAT DO NOT CONTAIN REACH SUBSTANCES OF VERY HIGH CONCERN >1000ppm, AND USE DRC CONFLICT-FREE SOURCED MATERIALS.
 4. INTERCONNECT IAW MHF4 STANDARD PRS-2530. INTERFACE WITH ALL MHF4 IPEX CONNECTIONS.
 5. MATED HEIGHT: 1.34mm WITH IPEX MHF4
 6. FREQUENCY: 0-6GHz
 7. IMPEDANCE: 50Ω
 8. VOLTAGE: 60 VRMS
 9. OPERATING TEMP: -40°C - +90°C
 10. VSWR: <1.4
 11. INSERTION LOSS: .075 xvf (GHz)
 12. CONTACT RESISTANCE: MAIN: [.002Ω] GROUND: [.002Ω] [EIA 364-23]
 13. DIELECTRIC RESISTANCE: 500MΩ [EIA 364-21]
 14. MATING FORCE: 3-5N IAW [EIA 364-13]
 15. DURABILITY: 30 CYCLES TESTED [EIA 364-09]
 16. ENVIRONMENTAL CONDITIONSTESTED IAW: [EIA 364-27,28,32,31,17,26]
 17. USE WITH UNMATING TOOL IPEX 90435-001 OR EQUIVILANT.



WARNING: THIS DRAWING CONTAINS PROPRIETARY INFORMATION THAT IS THE SOLE PROPERTY OF LINX TECHNOLOGIES, AND SHALL BE TREATED AS SUCH. NO DISCLOSURE OR REPRODUCTION OF THIS DOCUMENT IS PERMITTED, IN WHOLE OR IN PART, WITHOUT THE EXPRESS WRITTEN PERMISSION OF LINX TECHNOLOGIES OR ITS DESIGNATED AGENTS.

MATERIAL: BRASS	INTERPRET DIMENSIONS AND TOLERANCES PER ASME Y14.5. .X ±2.0 .XX ±1.00 .XXX ±.500	PROJECTION:
WEIGHT:	ANGLES: ±1° SURFACE:	
FINISH: GOLD	DRAWN: JHAGER ENGR: DASARATHAN	DT: 8/28/21 DT: 8/28/21

STE 159 ORT LANE
connectivity MERLIN, OR 97532

TITLE:
CONNECTOR MHF4 BRS SURFACE MOUNT

SIZE **B** DWG. NO. C-CONMHF4-SMD-G-T REV **A**

SCALE: 15:1 DO NOT SCALE DRAWING SHEET 1 OF 1