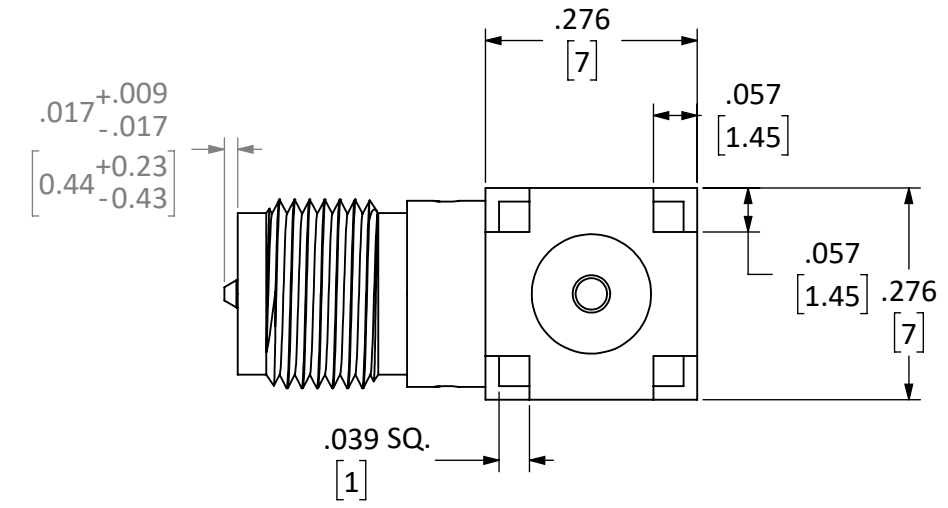
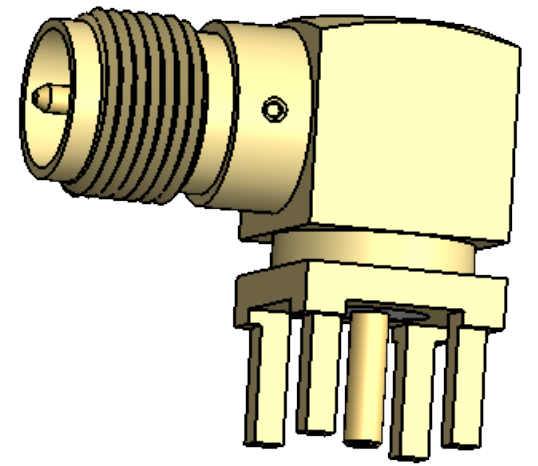
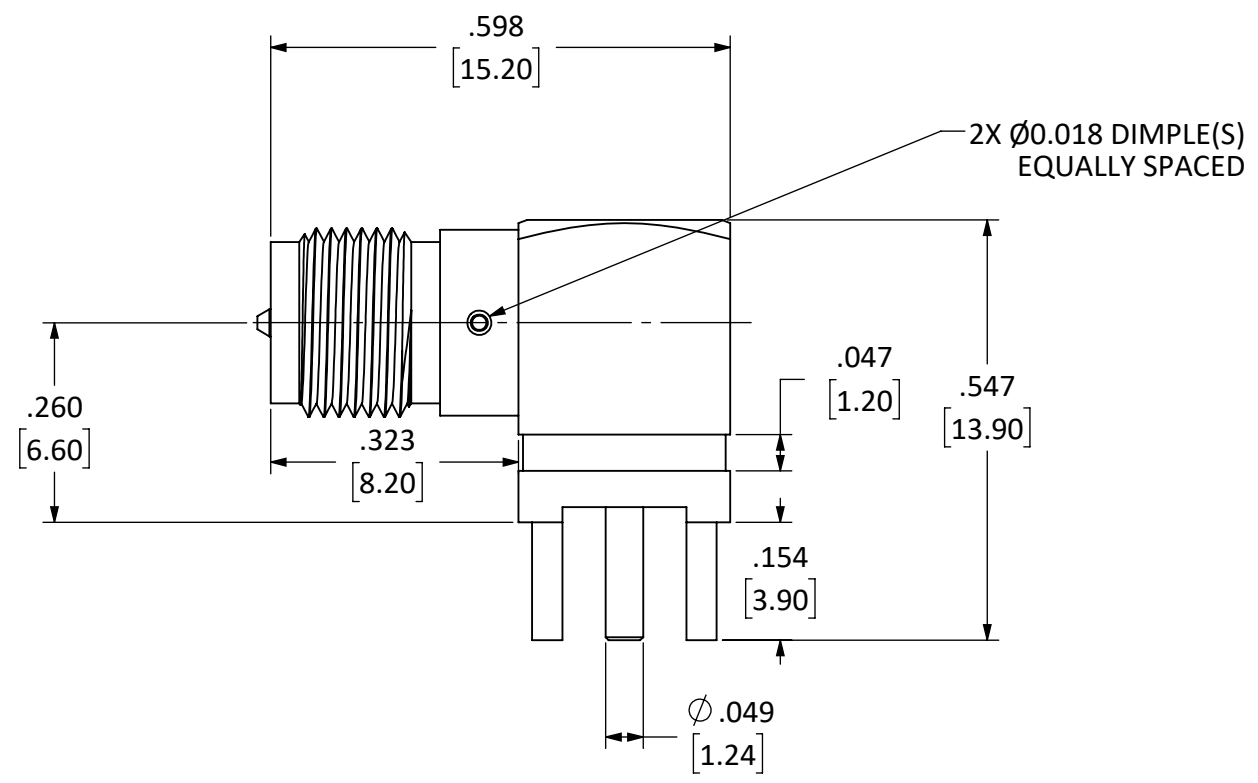


REVISIONS			
REV	DESCRIPTION	DATE	APPV
A	INITIAL RELEASE OF LINX SOLID MODEL	11-JUN-13	SAH



- NOTES: (UNLESS OTHERWISE SPECIFIED)
1. ALL DIMENSIONS ARE IN INCHES [mm].
  2. DIMENSIONS APPLY AFTER FINISHING.
  3. MANUFACTURE TO BE COMPLIANT WITH EU RoHS DIRECTIVE.

**WARNING:** THIS DRAWING CONTAINS PROPRIETARY INFORMATION THAT IS THE SOLE PROPERTY OF LINX TECHNOLOGIES, AND SHALL BE TREATED AS SUCH. NO DISCLOSURE OR REPRODUCTION OF THIS DOCUMENT IS PERMITTED, IN WHOLE OR IN PART, WITHOUT THE EXPRESS WRITTEN PERMISSION OF LINX TECHNOLOGIES OR ITS DESIGNATED AGENTS.

**STE** 159 ORT LANE  
connectivity MERLIN, OR 97532

MATERIAL:	INTERPRET DIMENSIONS AND TOLERANCES PER ASME Y14.5.	PROJECTION: 	TITLE: <b>SOLID MODEL, APPROVED FOR CUSTOMER USE</b>		
WEIGHT:	.X ±.2 .XX ±.10 .XXX ±.050		ANGLES: ±1° SURFACE:	SIZE DWG. NO. <b>B</b> C-CONREVSMA002-G	REV <b>A</b>
FINISH:	DRAWN: B.MURPHY ENGR: S.HOGAN	DT: 3-APR-13 DT: 11-JUN-13	SCALE: 4:1	DO NOT SCALE DRAWING	SHEET 1 OF 1