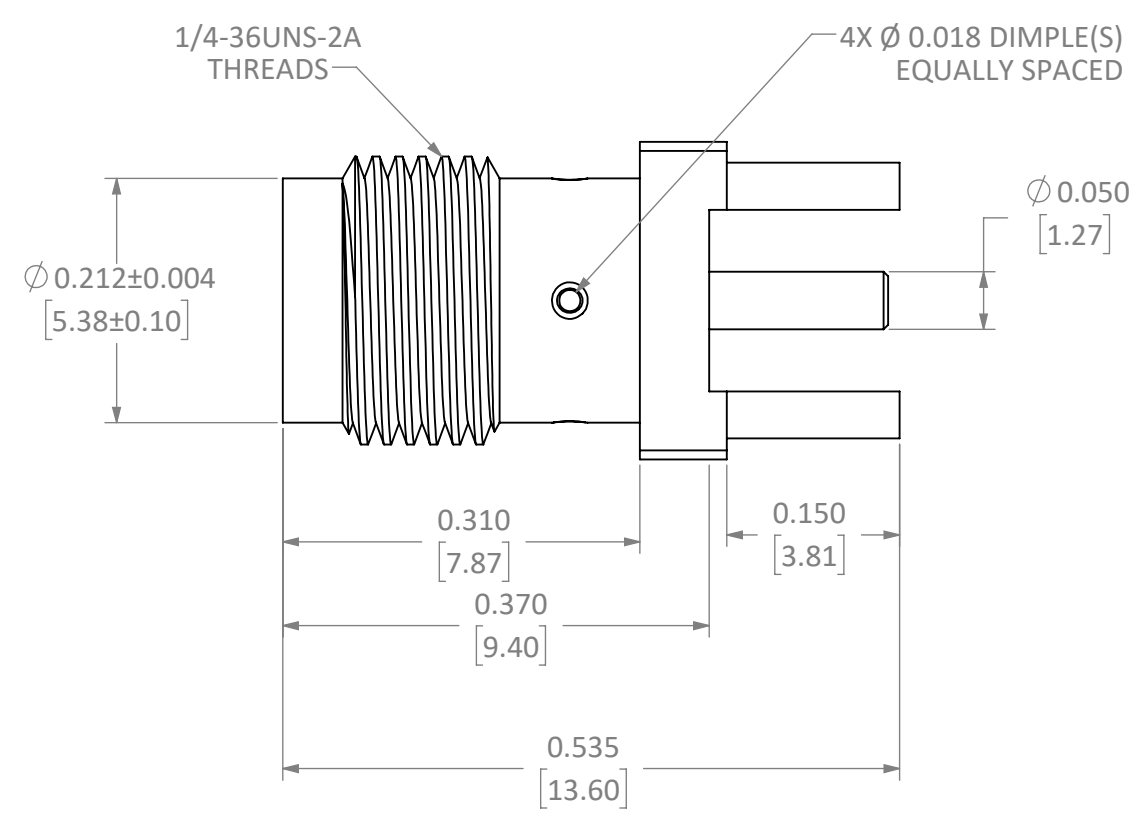


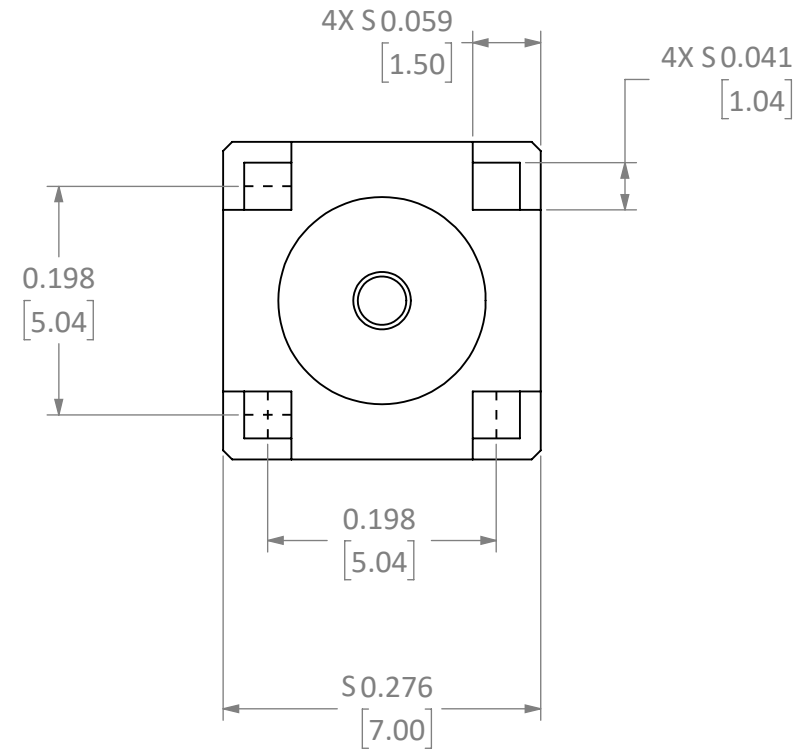
DESCRIPTION	MATERIAL	FINISH
BODY	BRASS	NICKEL
SOCKET	BeCu	GOLD
INSULATION	PTFE	N/A

REVISIONS			
REV	DESCRIPTION	DATE	APPV
B	UPDATED FOOTPRINT AND DIMENSIONS; ADDED NEW TITLE BLOCK	2-JUL-12	SAH
C	ADDED DIMPLE TO PART	3-JUN-13	SAH
D	ADDED OUTER BARREL DIMENSION; UPDATED NOTE 3	29-NOV-17	CLL

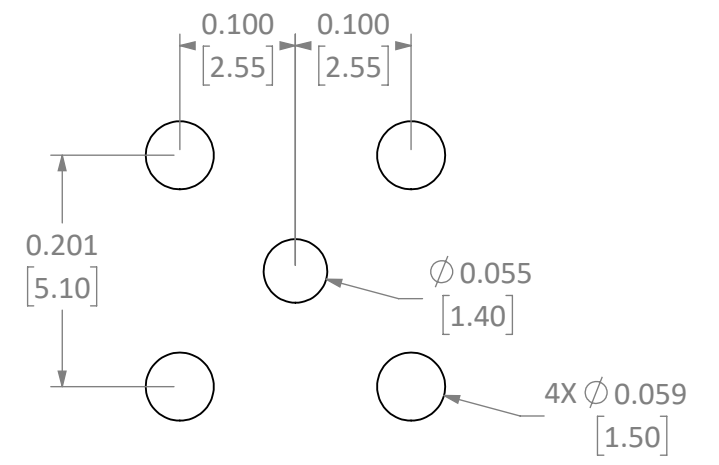
D
C
B
A



SIDE VIEW




BACK VIEW



RECOMMENDED FOOTPRINT

- NOTES: (UNLESS OTHERWISE SPECIFIED)
1. ALL DIMENSIONS ARE IN INCHES [mm].
 2. DIMENSIONS APPLY AFTER FINISHING.
 3. MANUFACTURE TO BE COMPLIANT WITH EU RoHS DIRECTIVE, USE MATERIALS THAT DO NOT CONTAIN REACH SUBSTANCES OF VERY HIGH CONCERN >1000ppm, AND USE DRC CONFLICT-FREE SOURCED MATERIALS.
 4. SAFETY BREAK ALL SHARP CORNERS AND EDGES .02 MAXIMUM.

WARNING: THIS DRAWING CONTAINS PROPRIETARY INFORMATION THAT IS THE SOLE PROPERTY OF LINX TECHNOLOGIES, AND SHALL BE TREATED AS SUCH. NO DISCLOSURE OR REPRODUCTION OF THIS DOCUMENT IS PERMITTED, IN WHOLE OR IN PART, WITHOUT THE EXPRESS WRITTEN PERMISSION OF LINX TECHNOLOGIES OR ITS DESIGNATED AGENTS.		 STE connectivity 159 ORT LANE MERLIN, OR 97532	
MATERIAL: INTERPRET DIMENSIONS AND TOLERANCES PER ASME Y14.5.		TITLE: SMA FEMALE PCB MOUNT	
WEIGHT: .X ±.2 .XX ±.10 .XXX ±.050		SIZE DWG. NO. REV B C-CON SMA001 D	
FINISH: DRAWN: B.MURPHY DT: 11-MAR-13		SCALE: 6:1 DO NOT SCALE DRAWING SHEET 1 OF 1	
ENGR: S.HOGAN DT: 3-JUN-13		LDCDFB_B	