
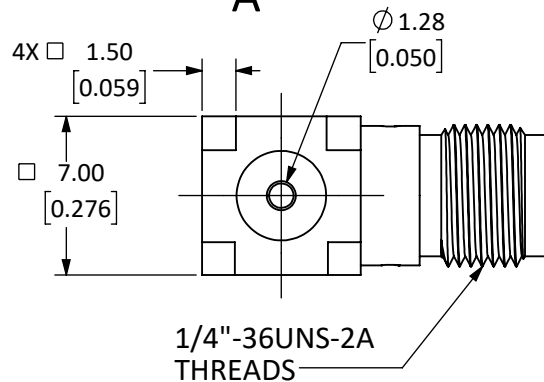
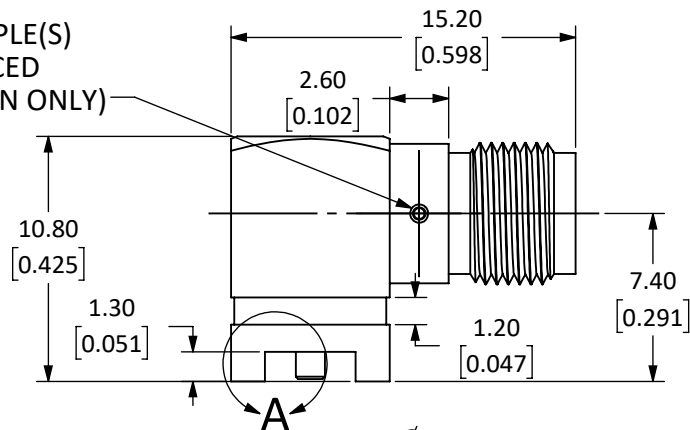



Connector: SMA Jack (Female Socket)				
Termination: PCB Surface Mount				
Part Number	CON SMA002-SMD	CON SMA002-SMD-G	CON SMA002-SMD-G-T	
Packaging Type	Bulk	Bulk	Tape and Reel	350 Pieces per Reel 
Connector Part	Material	Finish		
Body	Brass	Nickel	Gold	Gold
Center Contact	Socket: BeCu	Gold	Gold	Gold
Insulator	PTFE	-	-	-

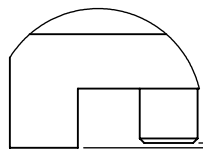
REVISIONS			
REV	DESCRIPTION	DATE	APPV
A	INITIAL RELEASE OF LINX INTERNAL DRAWING	11-JUN-13	SAH
B	ADDED CONTACT TO STANDOFF DIMENSION; UPDATED NOTE 3	3-MAY-16	SAH
C	UPDATED DIMENSION UNITS; COMBINED GOLD AND NICKEL PLATED VERSIONS; ADDED SECOND SPECIFICATION SHEET AND TAPE AND REEL VERSION	6-SEP-19	CLL
D	UPDATED REEL DIMENSION TABLE TOLERANCES ON SHEET 3	1-OCT-19	CLL

2X Ø0.45 DIMPLE(S)  
EQUALLY SPACED  
(GOLD VERSION ONLY)



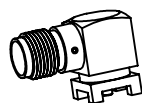
NOTES: (UNLESS OTHERWISE SPECIFIED)

1. ALL DIMENSIONS ARE IN MILLIMETERS [INCHES].
2. DIMENSIONS APPLY AFTER FINISHING.
3. MANUFACTURE TO BE COMPLIANT WITH EU RoHS DIRECTIVE, USE MATERIALS THAT DO NOT CONTAIN REACH SUBSTANCES OF VERY HIGH CONCERN >1000ppm, AND USE DRC CONFLICT-FREE SOURCED MATERIALS.
4. SAFETY BREAK ALL SHARP CORNERS AND EDGES 0.5 MAXIMUM.
5. SEE TABLE I FOR ELECTRICAL SPECIFICATIONS. (SHEET 2)
6. SEE TABLE II FOR ENVIRONMENTAL SPECIFICATIONS. (SHEET 2)
7. SEE TABLE III FOR MECHANICAL SPECIFICATIONS. (SHEET 2)
8. SEE PARTSLIST. "\*"-"\*" INDICATE FINISH AND PACKAGING TYPE.
9.  PACKAGING INSTRUCTIONS (TAPE AND REEL VERSION ONLY):  
 -APPLY LABEL , LBL-REEL-2.8x2.0, TO OUTSIDE OF REEL.  
 -MARK LABEL WITH LINX PART NUMBER, MFG CODE, LINX PO NUMBER (LINX PO NUMBER IN LOT CODE FIELD) AND QUANTITY.  
 -VACUUM PACK REEL WITH DESSICANT PACK (NO HIT CARD) INSIDE.  
 -APPLY SECOND LINX LABEL, LBL-REEL-2.8x2.0, TO VACUUM SEALED BAG.  
 -MARK SECOND LABEL WITH LINX PART NUMBER, MFG CODE, LINX PO NUMBER,(LINX PO NUMBER IN LOT CODE FIELD) AND QUANTITY




CENTER CONTACT TO  
MOUNTING PLANE STAND-OFF  
0.10  
0.00  
[0.004]  
[0.000]

DETAIL A  
SCALE 6 : 1



SCALE 1 : 1

**WARNING:** THIS DRAWING CONTAINS PROPRIETARY INFORMATION THAT IS THE SOLE PROPERTY OF LINX TECHNOLOGIES, AND SHALL BE TREATED AS SUCH. NO DISCLOSURE OR REPRODUCTION OF THIS DOCUMENT IS PERMITTED, IN WHOLE OR IN PART, WITHOUT THE EXPRESS WRITTEN PERMISSION OF LINX TECHNOLOGIES OR ITS DESIGNATED AGENTS.

MATERIAL:	INTERPRET DIMENSIONS AND TOLERANCES PER ASME Y14.5. X ±.1 .XX ±.01 .XXX ±.005	PROJECTION: 
FINISH:	DRAWN: M. SCHULTE ENGR:	DT: 27-FEB-20



159 ORT LANE  
MERLIN, OR 97532

TITLE: <b>SMA FEMALE RIGHT ANGLE SURFACE MOUNT</b>		
SIZE	DWG. NO.	REV
<b>A</b>	<b>C-CON SMA002-SMD-X-X</b>	<b>D</b>
SCALE: 3:1	DO NOT SCALE DRAWING	SHEET 1 OF 3

5 TABLE I

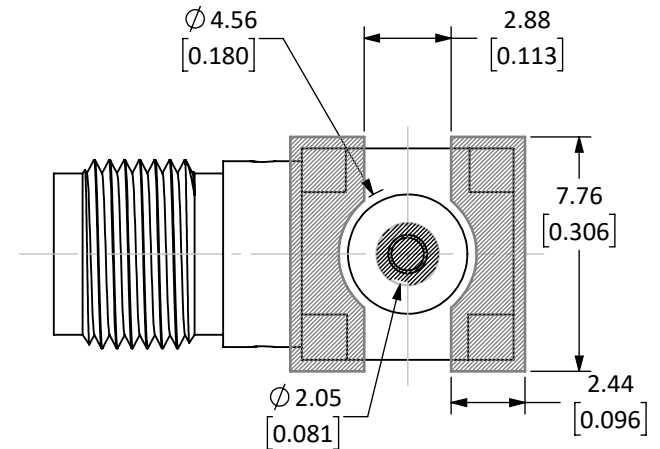
Electrical Data	Detail	
Part Number	CON SMA002-SMD	CON SMA002-SMD-G
Impedance	50 $\Omega$	50 $\Omega$
Frequency Range	0 to 18 GHz	0 to 18 GHz
Insulation Resistance	5000 M $\Omega$ min.	-
Voltage Rating	1000 V RMS	1000 V RMS
Contact Resistance	Center: $\leq 2.0$ m $\Omega$ Outer: $\leq 2.0$ m $\Omega$	Center: $\leq 2.0$ m $\Omega$ Outer: $\leq 2.0$ m $\Omega$
VSWR	1.3 Max @ 6 GHz	1.3 Max @ 6 GHz

6 TABLE II

Environmental Data	Detail
Corrosion (Salt spray)	ASTM B-117
Thermal Shock	MIL-STD-202 Method 107 test condition B
Vibration	MIL-STD-202 Method 204 test condition D
Mechanical Shock	MIL-STD-202 Method 213 test condition I
Temperature Range	-65 $^{\circ}$ C to +165 $^{\circ}$ C
Environmental Compliance	RoHS

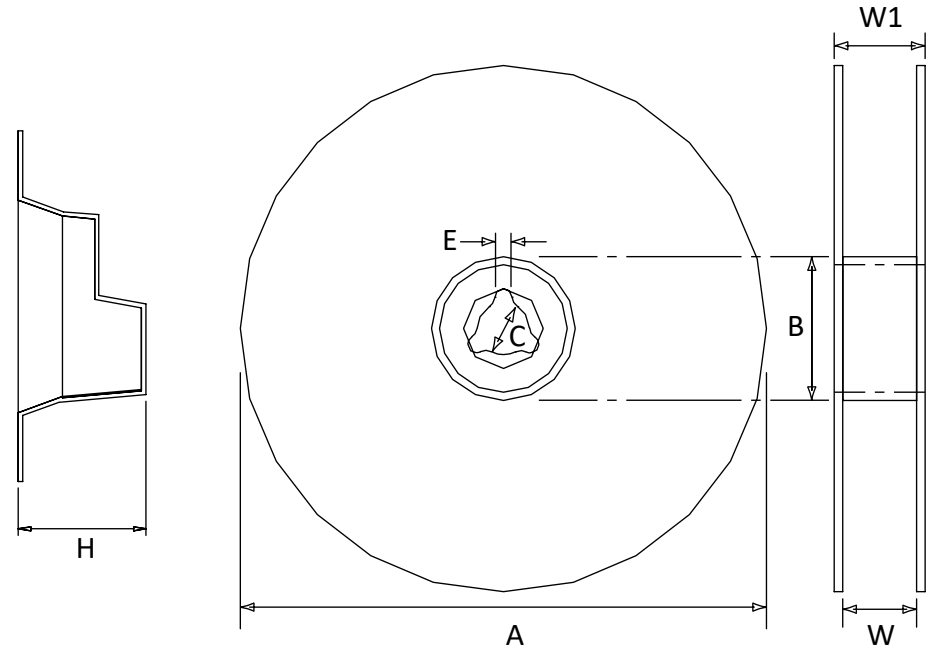
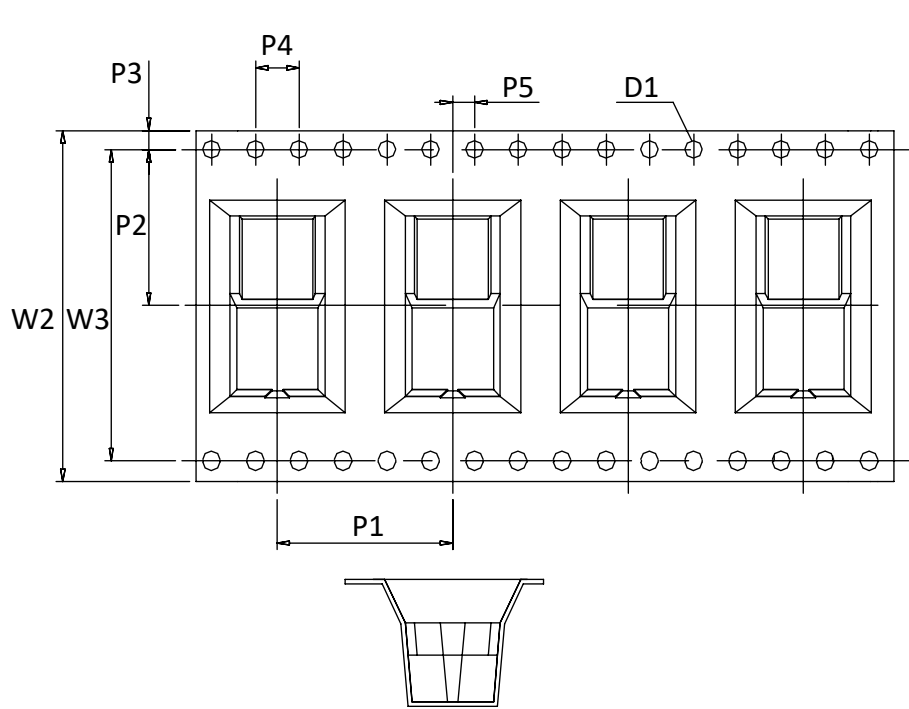
7 TABLE III

Mechanical Data	Detail
Mounting Type	Panel Mount, Surface Mount, Right Angle
Fastening Type	1/4"-36 Threaded Coupling
Recommended Torque	0.57 N·m (5.0 in·lbs)
Coupling Nut Retention	60 lbs. min.
Connector Durability	500 cycles min.
Weight	4.0 g (0.1 oz)



RECOMMENDED FOOTPRINT

SIZE	DWG. NO.	REV
<b>A</b>	CON SMA002-SMD-*-*	<b>D</b>
SCALE: 4:1	DO NOT SCALE DRAWING	SHEET 2 OF 3



TAPE DIMENSIONS		
SYMBOL	DIMENSION (mm)	TOLERANCE
D1	Ø1.50	± 0.20
H	11.6	± 0.20
P1	16.00	± 0.20
P2	14.20	± 0.20
P3	1.75	± 0.10
P4	4.00	± 0.20
P5	2.00	± 0.20
W2	32.00	± 0.30
W3	28.4	± 0.20

REEL DIMENSIONS		
SYMBOL	DIMENSION (mm)	TOLERANCE
A	330	± 1.50
B	100	± 1.00
C	13.3	± 0.30
E	2.5	± 0.30
W	32.5	+ 1.50 - 0.10
W1	36.7	± 0.40