

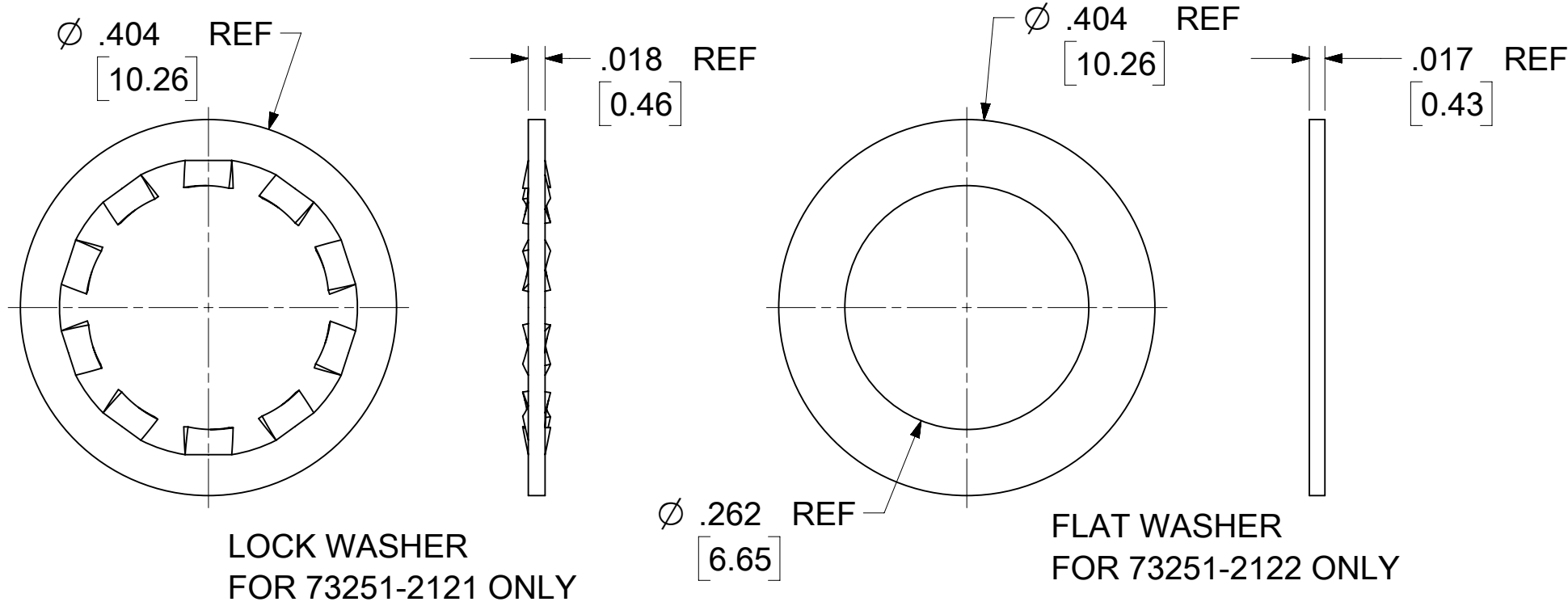
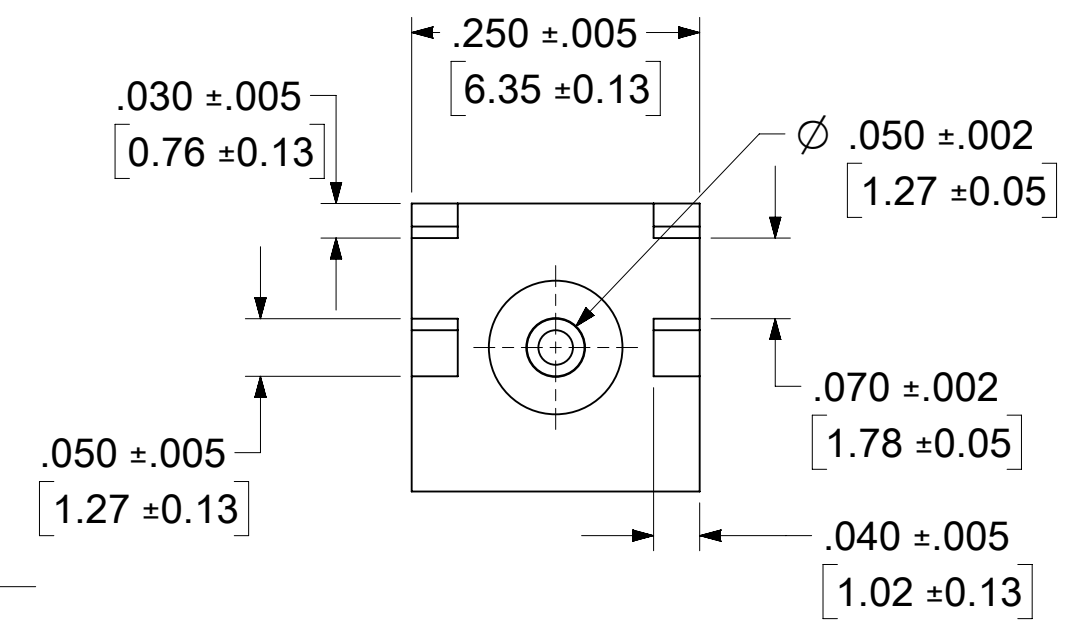
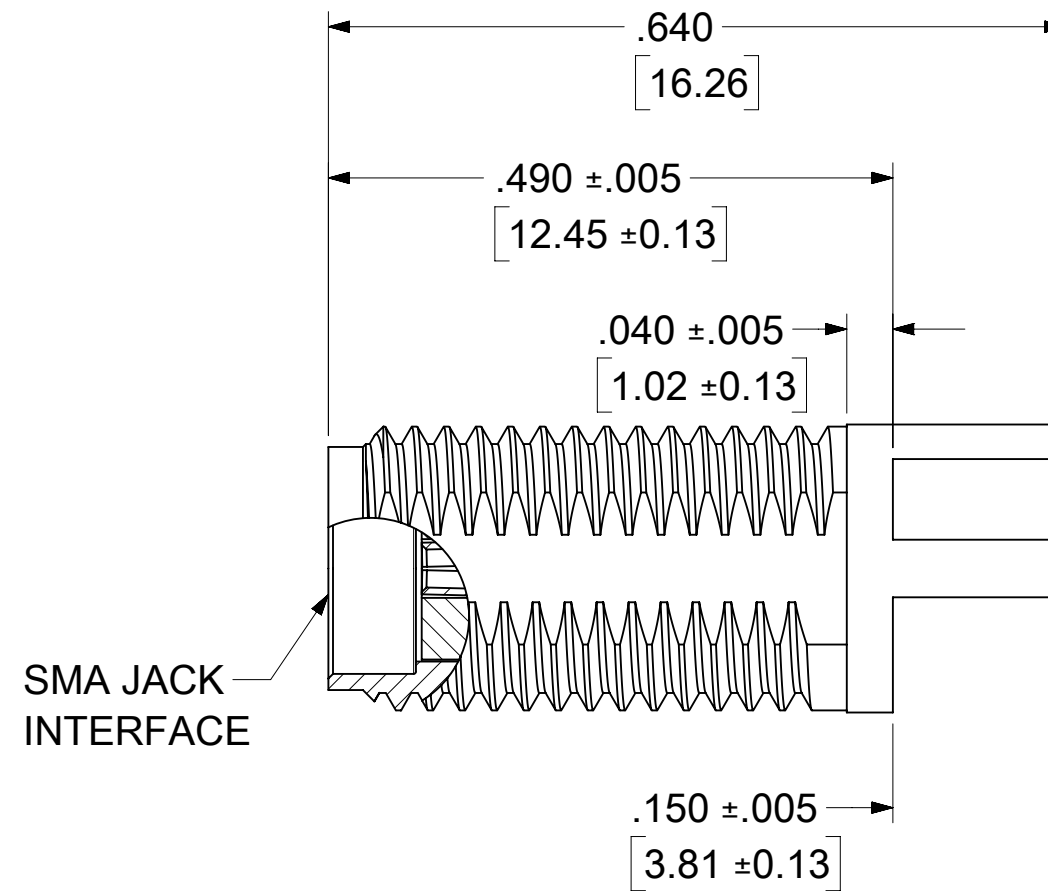
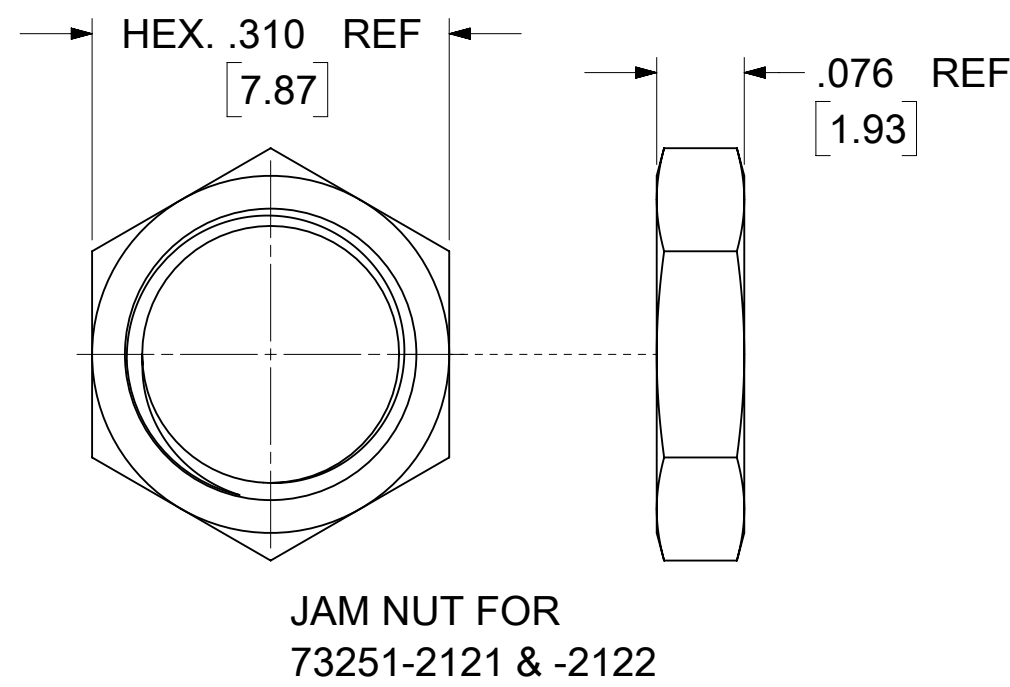
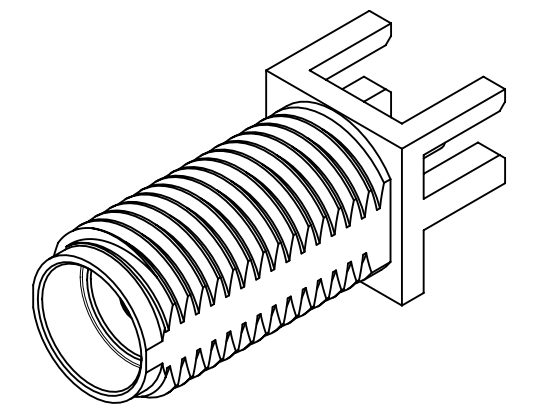
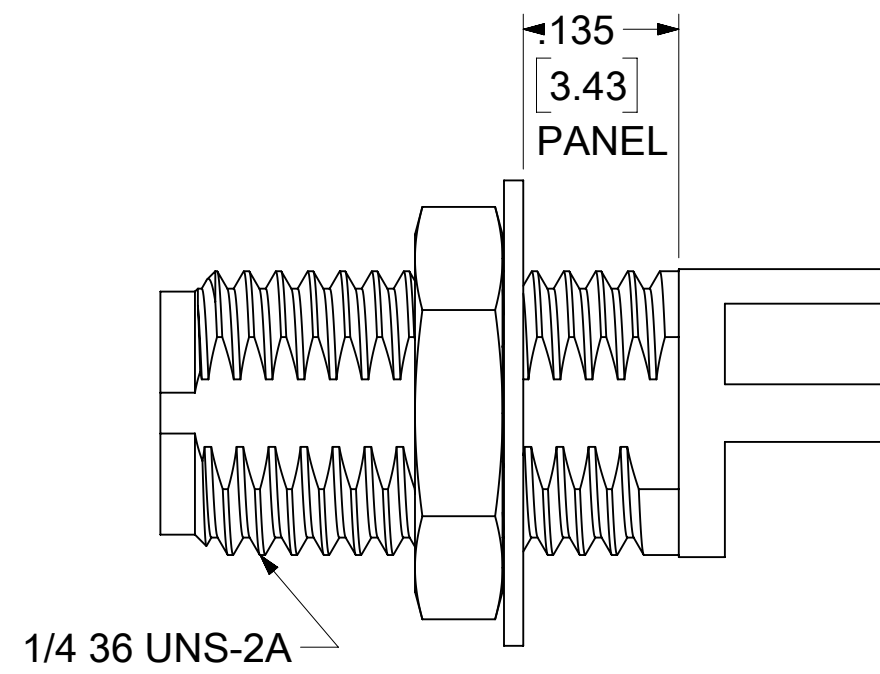
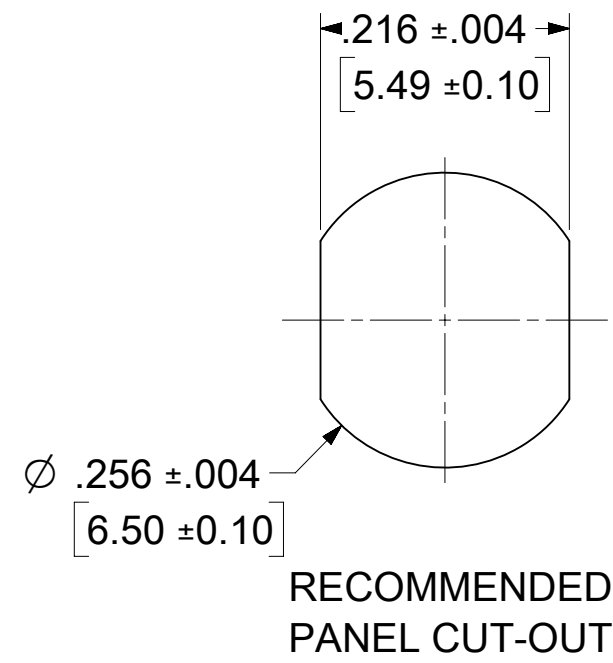
MATERIALS AND FINISHES:

BODY, JAM NUT, FLAT WASHER: BRASS PLATED GOLD

CENTER CONTACT: BERYLLIUM COPPER PLATED GOLD

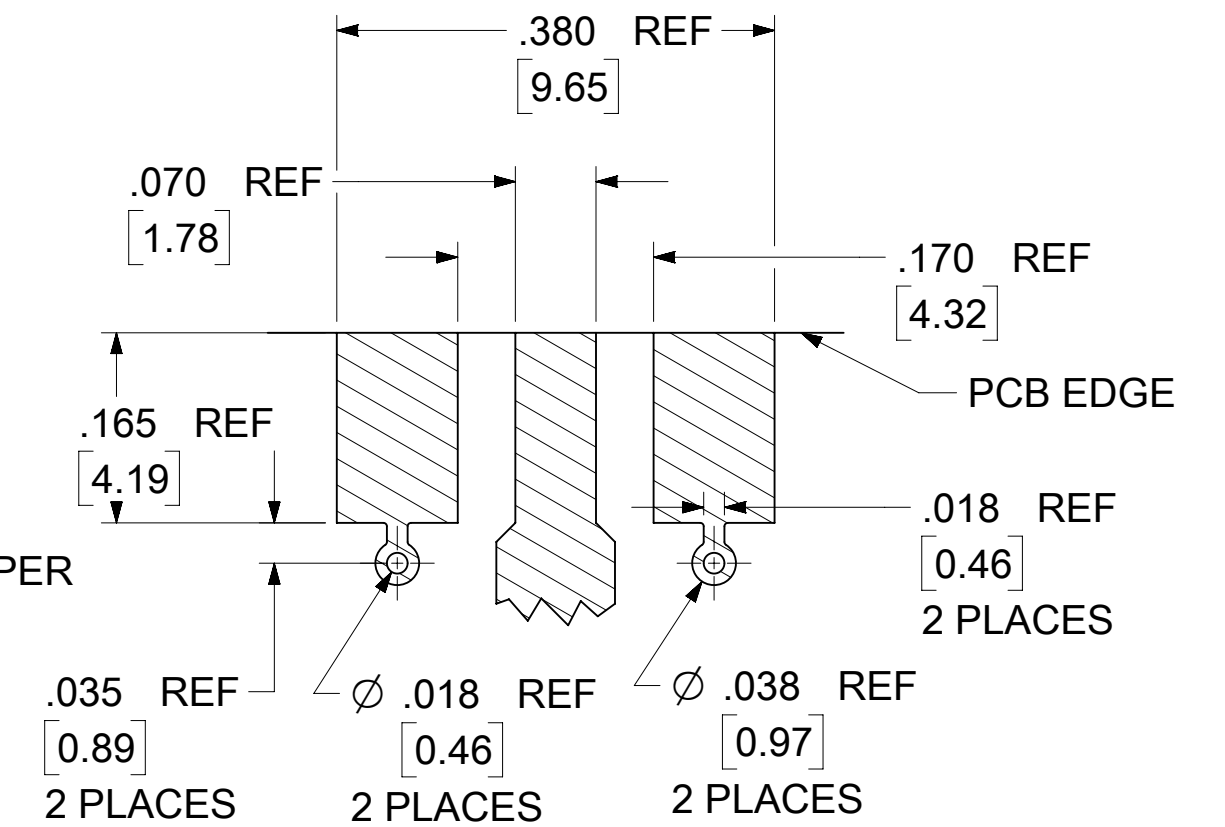
INSULATOR: TEFLON

LOCK WASHER: PHOSPHOR BRONZE PLATED GOLD



RECOMMENDED PAD LAYOUT

BASE WIDTH: .250(6.35) NOM.
BOARD THICKNESS: .062(1.57) NOM.
BOARD MATERIAL: FR4 W/1.0 OZ COPPER BOTH SIDES



73251-2123	-2120 WITHOUT HARDWARE	ONE PIECE PER BAG	895420090
73251-2122	-2120 W / JAM NUT & FLAT WASHER	TRAY	895420040
73251-2121	-2120 W / JAM NUT & LOCK WASHER	TRAY	895420040
73251-2120	-2120 WITHOUT HARDWARE	TRAY	895420040
PART NO.	DESCRIPTION	PACKAGING	PACKING SPEC

PS-89675-346	PRODUCT SPECIFICATION
MIL-STD-348A, FIG. 310.2	INTERFACE
SPECIFICATION	DESCRIPTION

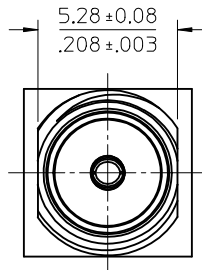
FUNCTIONAL SYMBOLS	THIS DRAWING CONTAINS INFORMATION THAT IS PROPRIETARY TO MOLEX ELECTRONIC TECHNOLOGIES, LLC AND SHOULD NOT BE USED WITHOUT WRITTEN PERMISSION	
FA = 0	DIMENSION UNITS: IN/MM	SCALE: NTS
EA = 0	CURRENT REV DESC: ADD PKG NOTE PER EWR15788-A	
EP = 0	GENERAL TOLERANCES (UNLESS SPECIFIED)	
	ANGULAR TOL ± 2.0°	
DIVISIONAL SYMBOLS	4 PLACES ±	EC NO: 746940
	3 PLACES ±	DRWN: CWEI02 2022/09/20
	2 PLACES ±	CHK'D: YCHENG 2023/05/22
	1 PLACE ±	APPR: YCHENG 2023/05/22
	0 PLACES ±	INITIAL REVISION:
		DRWN: SSS 2003/07/09
		APPR: JWIENER 2010/10/27
DRAFT WHERE APPLICABLE MUST REMAIN WITHIN DIMENSIONS	THIRD ANGLE PROJECTION	DRAWING SERIES: C-SIZE 73251
		MATERIAL NUMBER: SEE TABLE
		CUSTOMER: GENERAL MARKET
		SHEET NUMBER: 1 OF 1
		DOCUMENT NUMBER: SD-73251-212
		DOC TYPE: PSD
		DOC PART: 001
		REVISION: A6

MATERIALS AND FINISHES

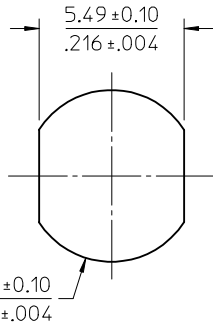
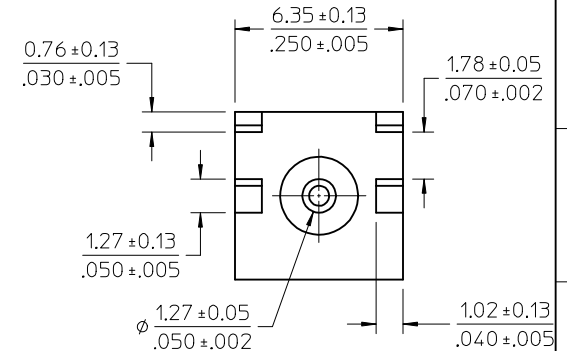
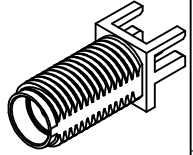
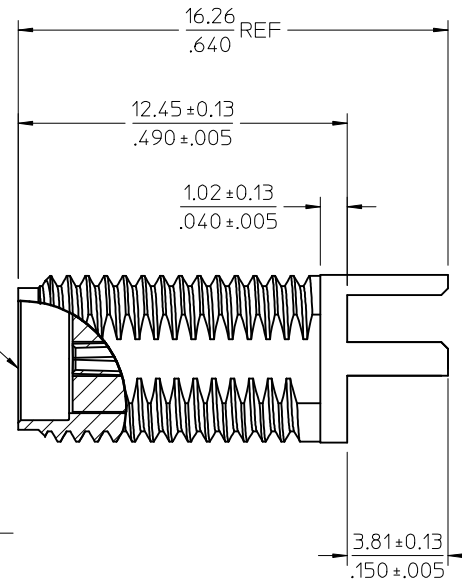
BODY: BRASS
 PLATED: NICKEL

CENTER CONTACT: BERYLLIUM COPPER
 PLATED: GOLD

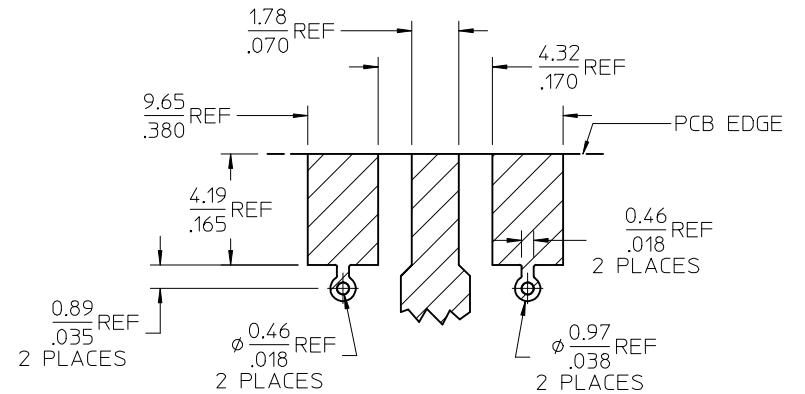
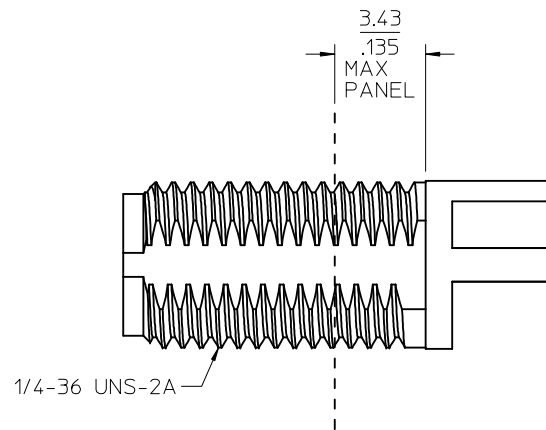
INSULATOR: PTFE



SMA JACK
 INTERFACE



RECOMMENDED PANEL CUTOUT



RECOMMENDED PAD LAYOUT:
 BASE WIDTH: 6.35(.250) NOM.
 BOARD THICKNESS: 1.57(.062) NOM.
 BOARD MATERIAL: FR4 W/1.0 OZ COPPER
 BOTH SIDES

PART # 73251-9340

PS-89675-3460	PRODUCT SPECIFICATION
MIL-STD-348A, FIG. 310.2	INTERFACE
SPECIFICATION	DESCRIPTION

CHG: NEW RELEASE EC NO: URF2014-0585 DRWN: JLEE02 2014/04/14 CHKD: SSS 2014/04/14 APPR: WSPINK	QUALITY SYMBOLS ∇=0 ∇=0 ∇=0	GENERAL TOLERANCES (UNLESS SPECIFIED)		DIMENSION STYLE	SCALE	DESIGN UNITS	THIRD ANGLE PROJECTION	
				MM/IN				
				DRAWN BY	DATE	TITLE		
				CHECKED BY	DATE	SMA JACK BK RM EDGE LAUNCH .062" PCB SMA-J/BK/PCB, EWR-5375		
		ANGULAR ± 2°		MATERIAL NO.	DOCUMENT NO.	SHEET NO.		
		DRAFT WHERE APPLICABLE MUST REMAIN WITHIN DIMENSIONS		SEE TABLE	SD-73251-934	1 OF 1		
		THIS DRAWING CONTAINS INFORMATION THAT IS PROPRIETARY TO MOLEX. INCORPORATED AND SHOULD NOT BE USED WITHOUT WRITTEN PERMISSION						