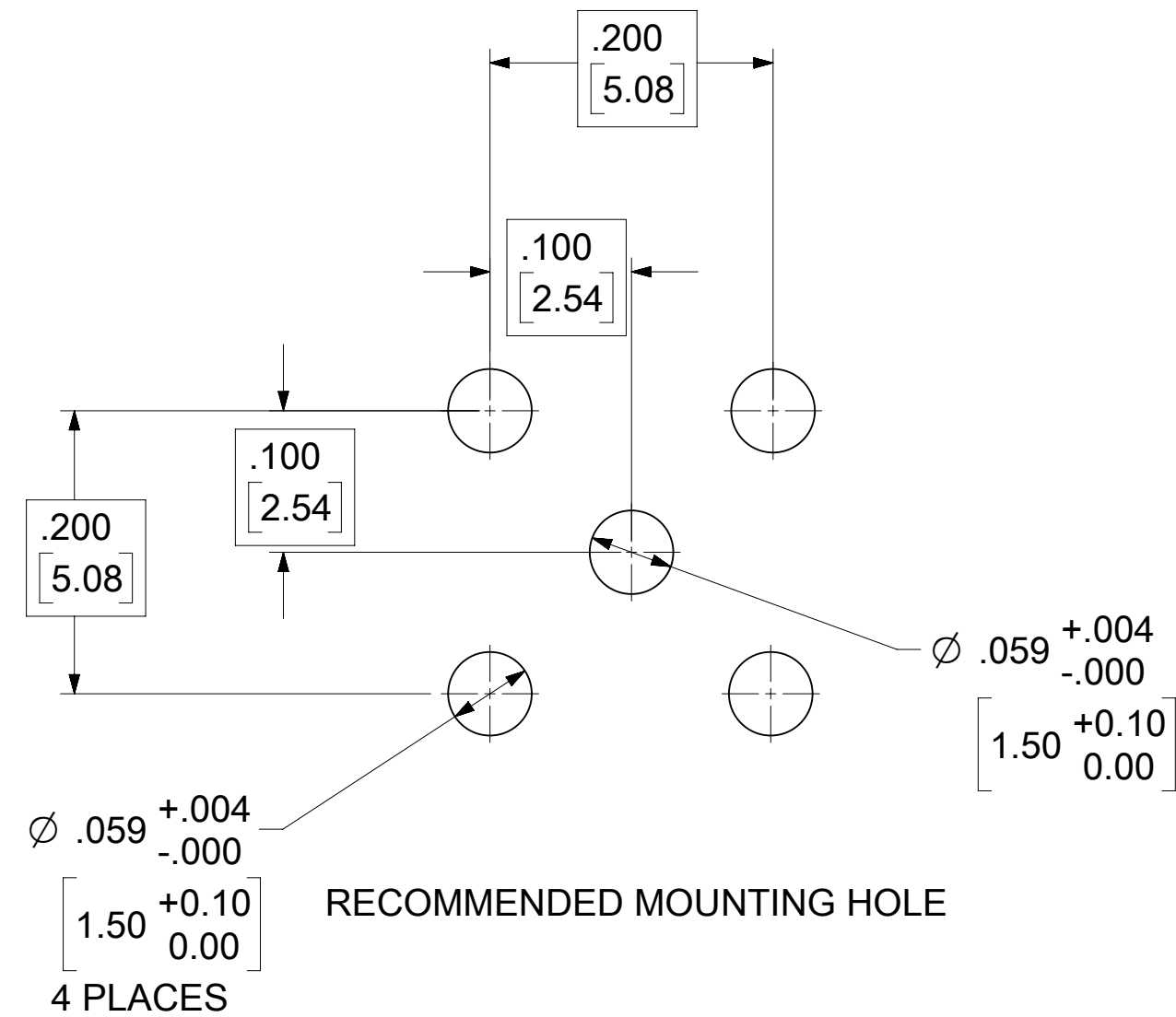
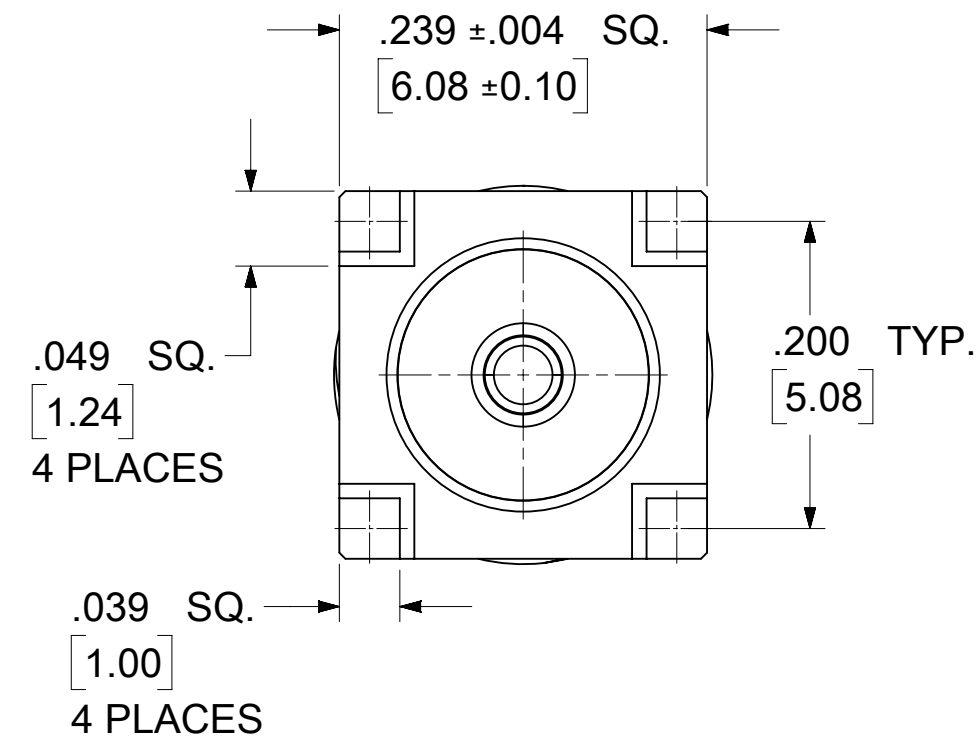
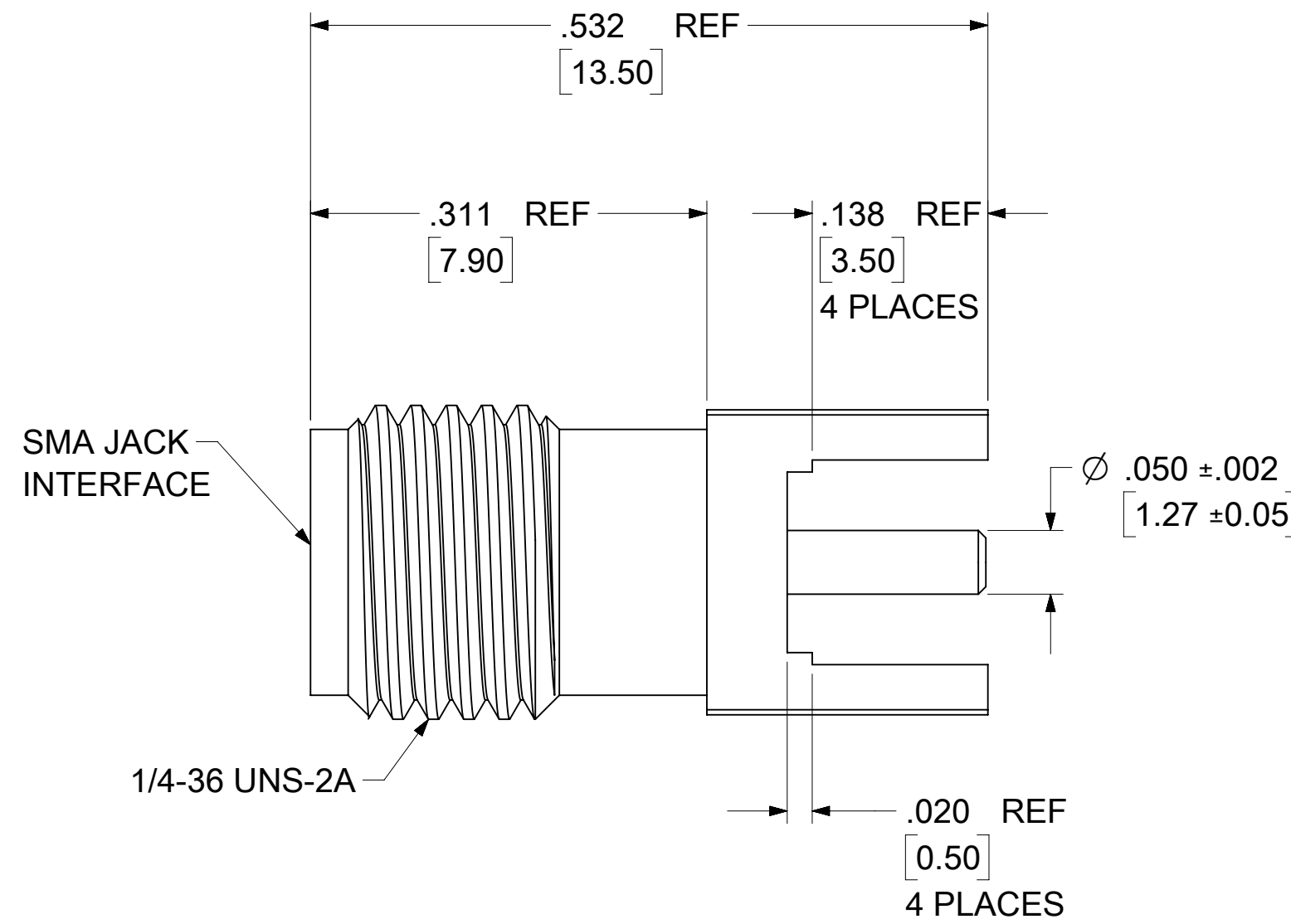
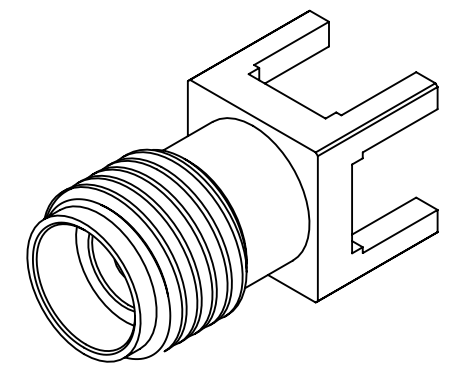


MATERIALS AND FINISHES:

BODY: BRASS
PLATED GOLD

CENTER CONTACT: BERYLLIUM COPPER
PLATED GOLD

INSULATOR: TEFLON

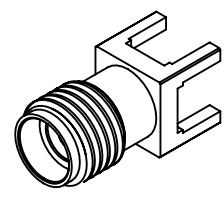


RECOMMENDED MOUNTING HOLE

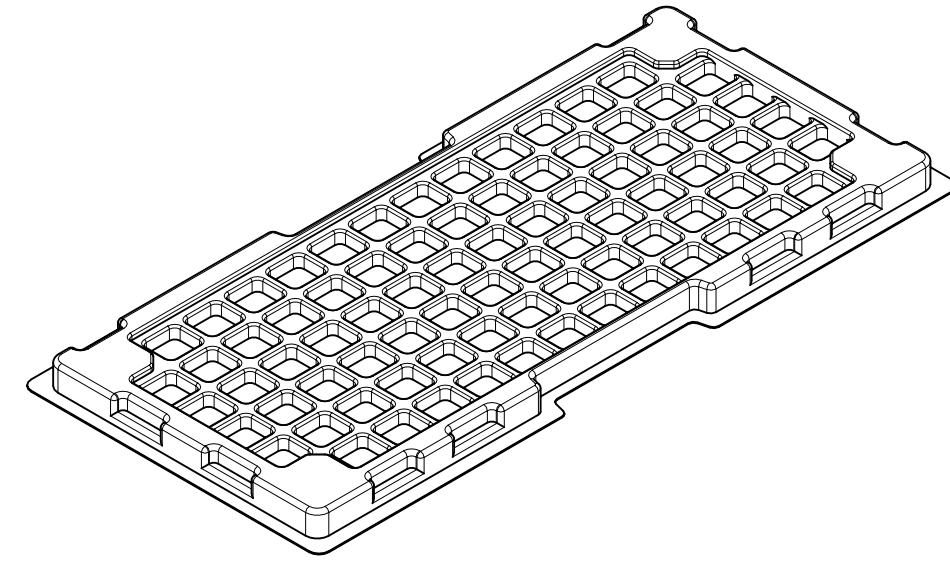
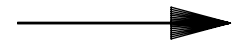
73391-0072	SMALL TRAY (20 CAV.)	SEE SHEET 4
73391-0071	ONE PIECE PER BAG	SEE SHEET 3
73391-0070	TRAY (80 CAV.)	SEE SHEET 2
PART NO.	PACKAGING	PACKING SPEC

PS-89675-346	ELECTRO/MECH. PERFORM.
SPECIFICATION	DESCRIPTION

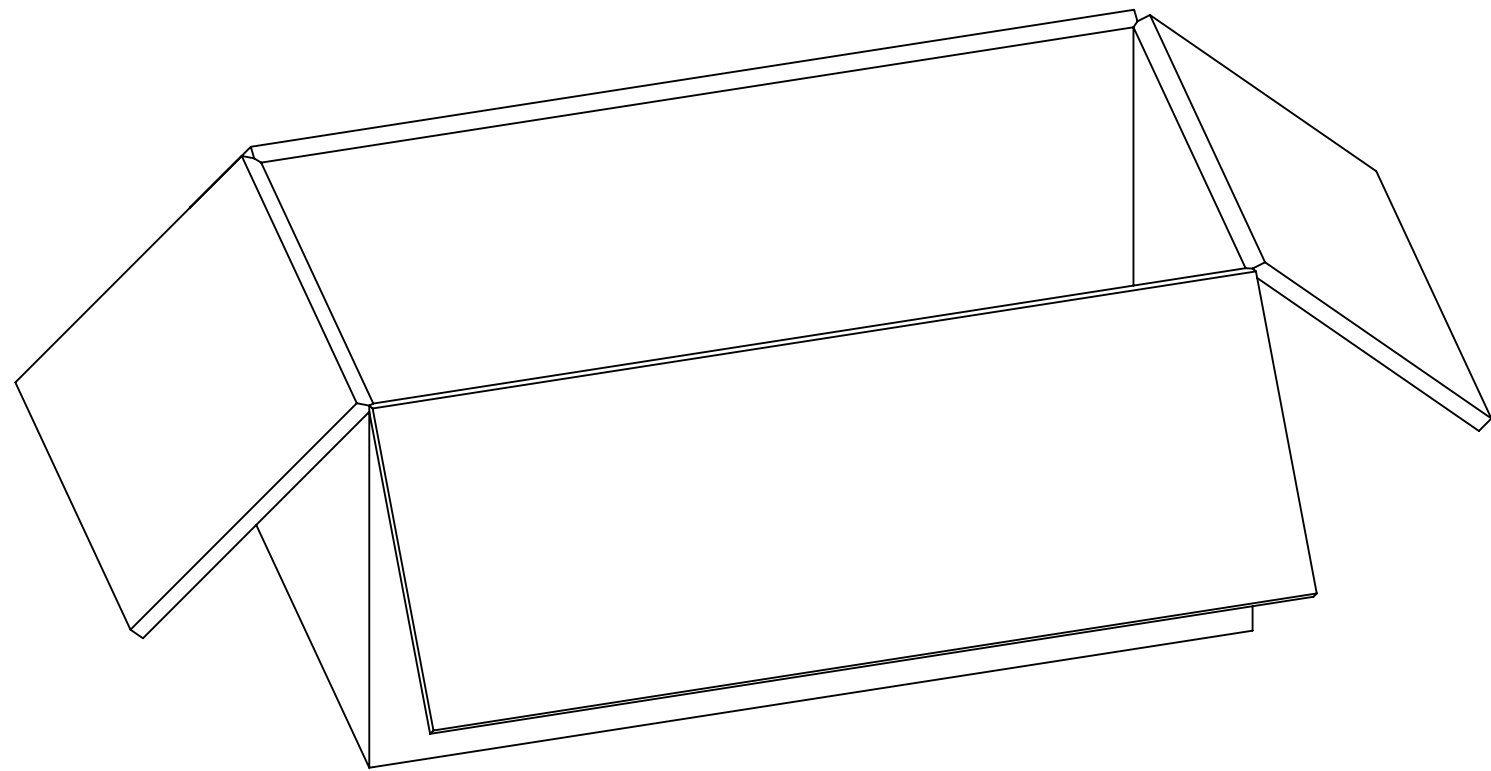
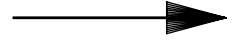
FUNCTIONAL SYMBOLS	THIS DRAWING CONTAINS INFORMATION THAT IS PROPRIETARY TO MOLEX ELECTRONIC TECHNOLOGIES, LLC AND SHOULD NOT BE USED WITHOUT WRITTEN PERMISSION										
	DIMENSION UNITS	SCALE	CURRENT REV DESC: ADD PKG PER EWR15870-A							molex	
$\frac{F}{A} = 0$	INCH	NTS	GENERAL TOLERANCES (UNLESS SPECIFIED)								
$\frac{F}{C} = 0$	ANGULAR TOL ± 2.0°		EC NO: 750458							PRODUCT CUSTOMER DRAWING	
$\frac{F}{P} = 0$	4 PLACES ±		DRWN: CWEI02 2022/09/26							DOCUMENT NUMBER	
#####	3 PLACES ±		CHK'D: YCHENG 2023/05/30							SD-73391-007	
	2 PLACES ±		APPR: YCHENG 2023/05/30							DOC TYPE DOC PART REVISION	
	1 PLACE ±		INITIAL REVISION:							PSD 001 B6	
	0 PLACES ±		DRWN: LYNN 1998/10/19							MATERIAL NUMBER	
			APPR: XXXX XXXX							CUSTOMER	
DRAFT WHERE APPLICABLE MUST REMAIN WITHIN DIMENSIONS			THIRD ANGLE PROJECTION	DRAWING	SERIES	SHEET NUMBER					
				C-SIZE	73391	1 OF 4					
			SEE TABLE		GENERAL MARKET						



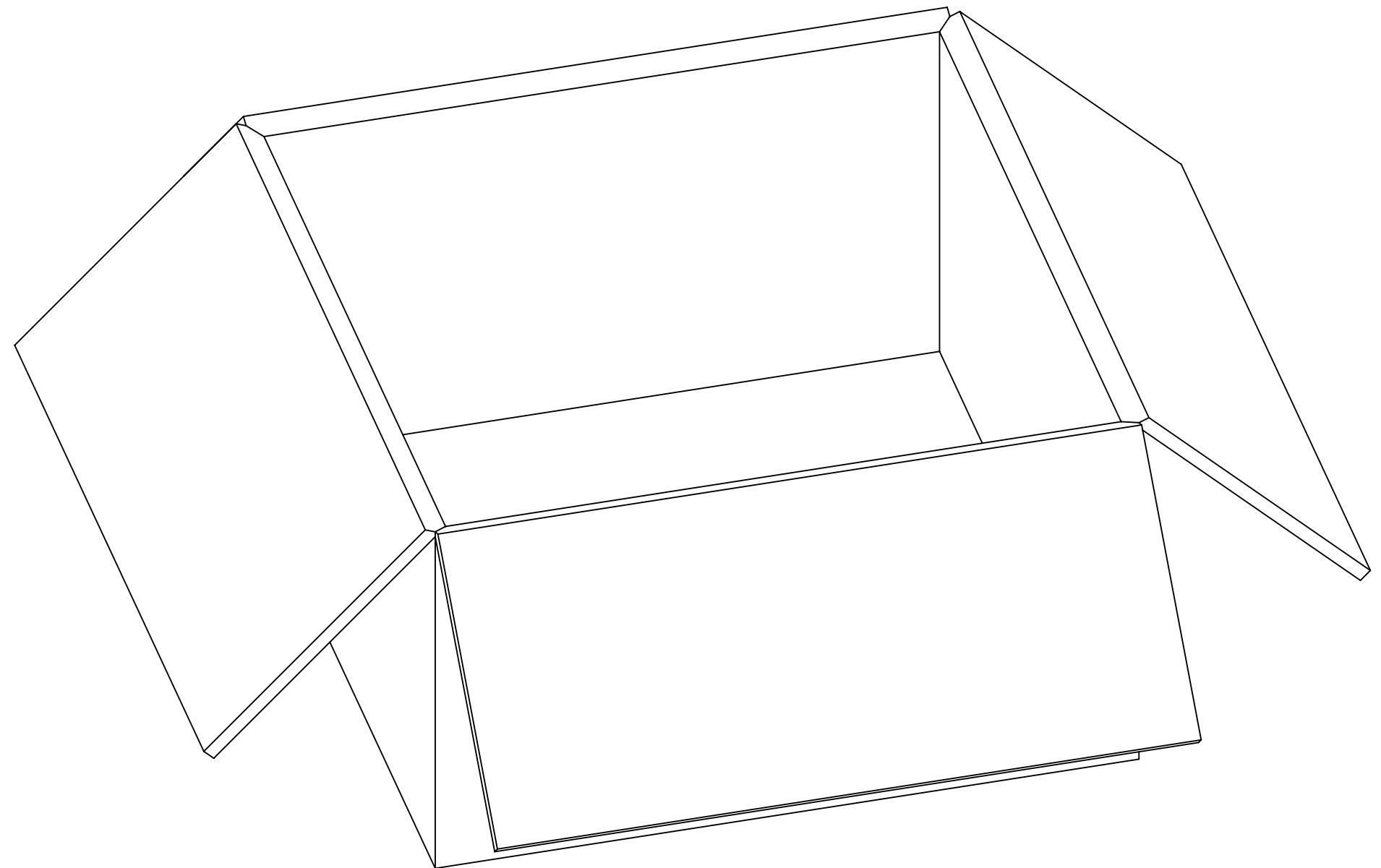
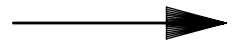
PRODUCT
PN-73391-0070



80 SETS PER TRAY
P/N: 89707-0190



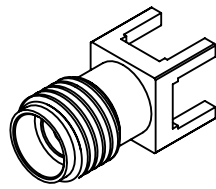
1600 SETS PER INNER
CARTON BOX
P/N: 96707-0001



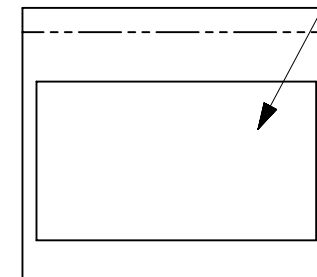
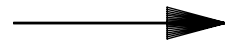
3200 SETS PER OUTER
CARTON BOX
P/N: 96708-0005

FUNCTIONAL SYMBOLS	THIS DRAWING CONTAINS INFORMATION THAT IS PROPRIETARY TO MOLEX ELECTRONIC TECHNOLOGIES, LLC AND SHOULD NOT BE USED WITHOUT WRITTEN PERMISSION										
	DIMENSION UNITS	SCALE	CURRENT REV DESC: ADD PKG PER EWR15870-A							molex	
$\frac{F}{A} = 0$	INCH	NTS	GENERAL TOLERANCES (UNLESS SPECIFIED)								
$\frac{F}{C} = 0$	ANGULAR TOL $\pm 2.0^\circ$		EC NO: 750458				2022/09/26		PRODUCT CUSTOMER DRAWING		
$\frac{F}{P} = 0$	4 PLACES \pm		DRWN: CWEI02				2023/05/30		DOCUMENT NUMBER		
DIVISIONAL SYMBOLS	3 PLACES \pm		CHK'D: YCHENG				1998/10/19		SD-73391-007		
	2 PLACES \pm		APPR: YCHENG				XXXX		DOC TYPE		
	1 PLACE \pm		INITIAL REVISION:						DOC PART		
	0 PLACES \pm		DRWN: LYNN				XXXX		REVISION		
	DRAFT WHERE APPLICABLE MUST REMAIN WITHIN DIMENSIONS		THIRD ANGLE PROJECTION		DRAWING	SERIES	MATERIAL NUMBER	CUSTOMER	SHEET NUMBER		
					C-SIZE	73391	SEE TABLE	GENERAL MARKET	2 OF 4		

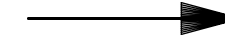
DOCUMENT STATUS	P1	RELEASE DATE	2023/05/30	07:15:15
-----------------	----	--------------	------------	----------



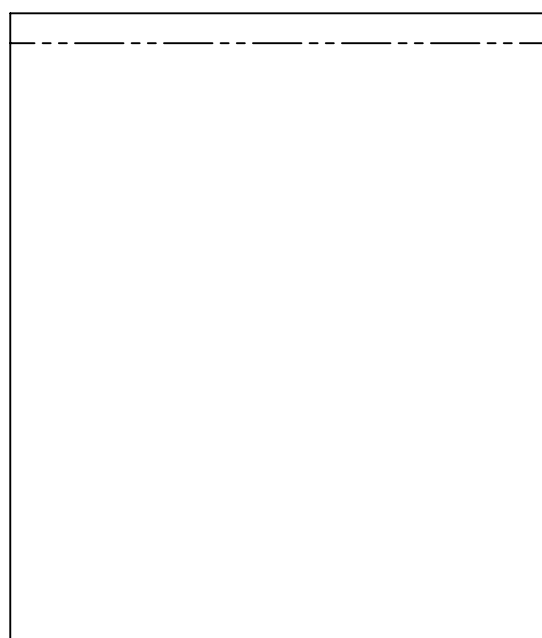
PRODUCT
PN-73391-0071



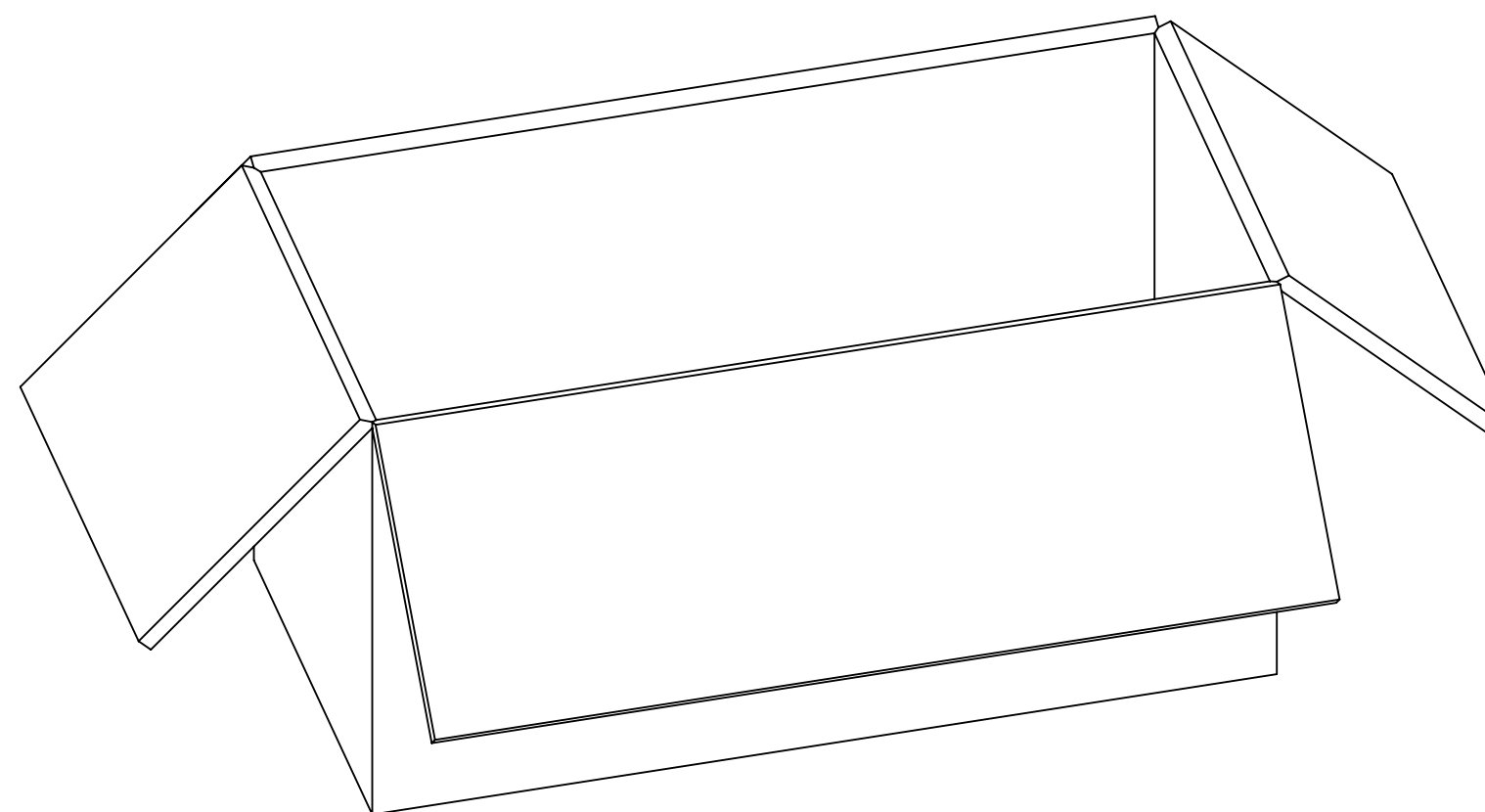
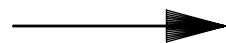
LABEL WITH EACH BAG:
PART NUMBER: 73391-0070
ORDER NUMBER: 73391-0071
MOLEX
DATE: YYWW



ONE SET PER ZIPPER POLY BAG
P/N: 89707-0317



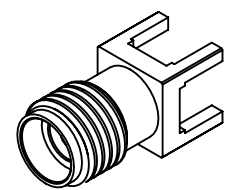
50 SETS PER POLY BAG
P/N: 89707-0174



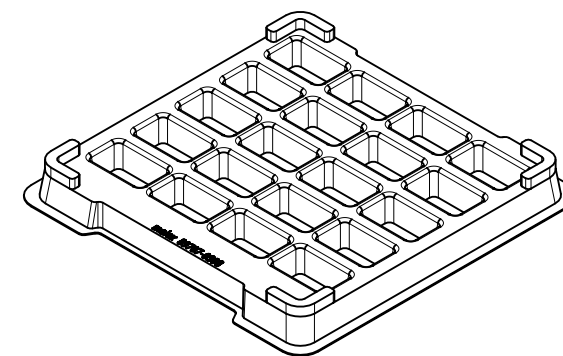
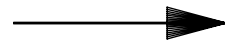
500 SETS PER CARTON BOX
P/N: 96707-0002

FUNCTIONAL SYMBOLS	THIS DRAWING CONTAINS INFORMATION THAT IS PROPRIETARY TO MOLEX ELECTRONIC TECHNOLOGIES, LLC AND SHOULD NOT BE USED WITHOUT WRITTEN PERMISSION										
	DIMENSION UNITS	SCALE	CURRENT REV DESC: ADD PKG PER EWR15870-A							molex	
$\frac{F}{A} = 0$	INCH	NTS	EC NO: 750458								
$\frac{F}{C} = 0$	GENERAL TOLERANCES (UNLESS SPECIFIED)		DRWN: CWEI02 2022/09/26							PRODUCT CUSTOMER DRAWING	
$\frac{F}{P} = 0$	ANGULAR TOL $\pm 2.0^\circ$		CHK'D: YCHENG 2023/05/30								
DIVISIONAL SYMBOLS	4 PLACES \pm		APPR: YCHENG 2023/05/30							DOC TYPE PSD	
	3 PLACES \pm		INITIAL REVISION:								
	2 PLACES \pm		DRWN: LYNN 1998/10/19							REVISION B6	
	1 PLACE \pm		APPR: XXXX								
	0 PLACES \pm		DRAFT WHERE APPLICABLE MUST REMAIN WITHIN DIMENSIONS		THIRD ANGLE PROJECTION	DRAWING	SERIES	CUSTOMER	SHEET NUMBER 3 OF 4		
						C-SIZE	73391	GENERAL MARKET			

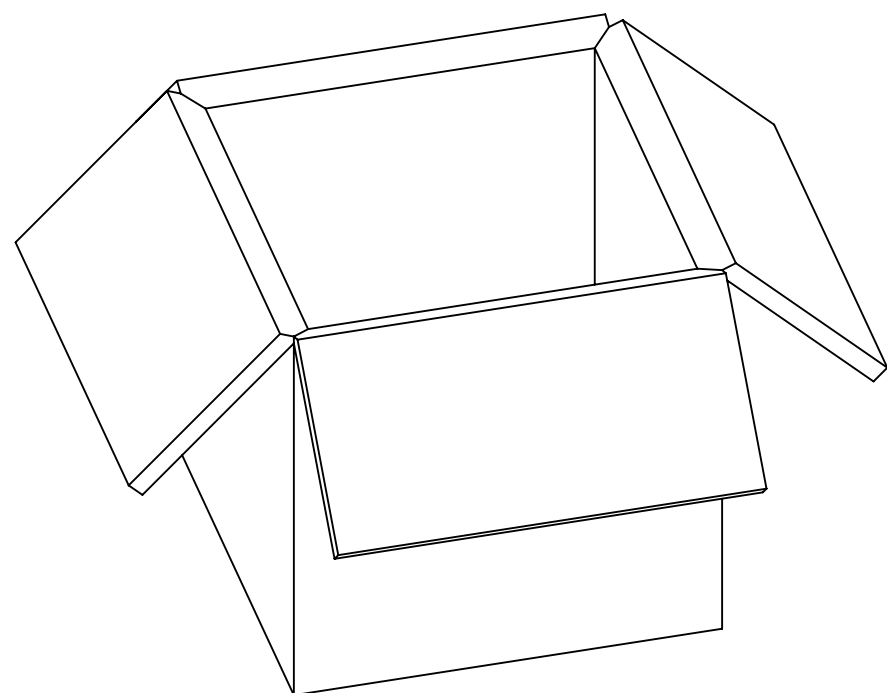
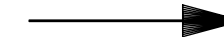
DOCUMENT STATUS	P1	RELEASE DATE	2023/05/30	07:15:15
-----------------	----	--------------	------------	----------



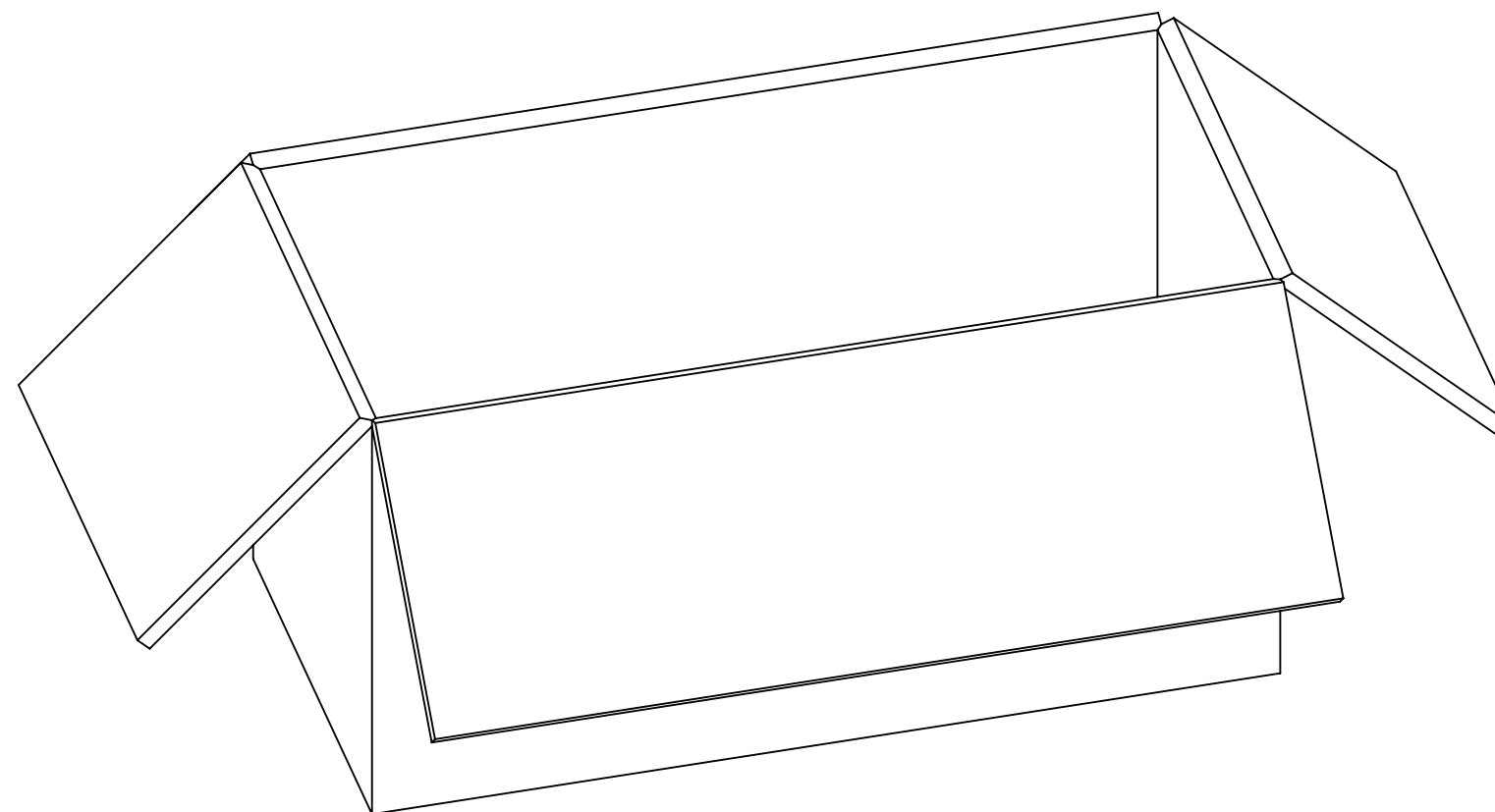
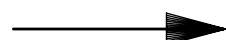
PRODUCT
PN-73391-0072



20 SETS PER TRAY
P/N: 89707-0308



200 SETS PER INNER
CARTON BOX
P/N: 96707-0005



400 SETS PER OUTER
CARTON BOX
P/N: 96707-0002

FUNCTIONAL SYMBOLS	THIS DRAWING CONTAINS INFORMATION THAT IS PROPRIETARY TO MOLEX ELECTRONIC TECHNOLOGIES, LLC AND SHOULD NOT BE USED WITHOUT WRITTEN PERMISSION													
	DIMENSION UNITS	SCALE	CURRENT REV DESC: ADD PKG PER EWR15870-A							molex				
$\frac{F}{A} = 0$	INCH	NTS	EC NO: 750458 DRWN: CWEI02 2022/09/26 CHK'D: YCHENG 2023/05/30 APPR: YCHENG 2023/05/30									SMA JACK VERTICAL PCB 50 OHMS SMA-J/PCB		
$\frac{F}{C} = 0$	GENERAL TOLERANCES (UNLESS SPECIFIED)									INITIAL REVISION: DRWN: LYNN 1998/10/19 APPR: XXXX XXXX				
$\frac{F}{P} = 0$	ANGULAR TOL $\pm 2.0^\circ$		DRAFT WHERE APPLICABLE MUST REMAIN WITHIN DIMENSIONS THIRD ANGLE PROJECTION 											
DIVISIONAL SYMBOLS		4 PLACES \pm								DRAWING SERIES C-SIZE 73391				
		3 PLACES \pm	MATERIAL NUMBER CUSTOMER SHEET NUMBER SEE TABLE GENERAL MARKET 4 OF 4											
		2 PLACES \pm												
		1 PLACE \pm												
		0 PLACES \pm												

DOCUMENT STATUS	P1	RELEASE DATE	2023/05/30	07:15:15
-----------------	----	--------------	------------	----------