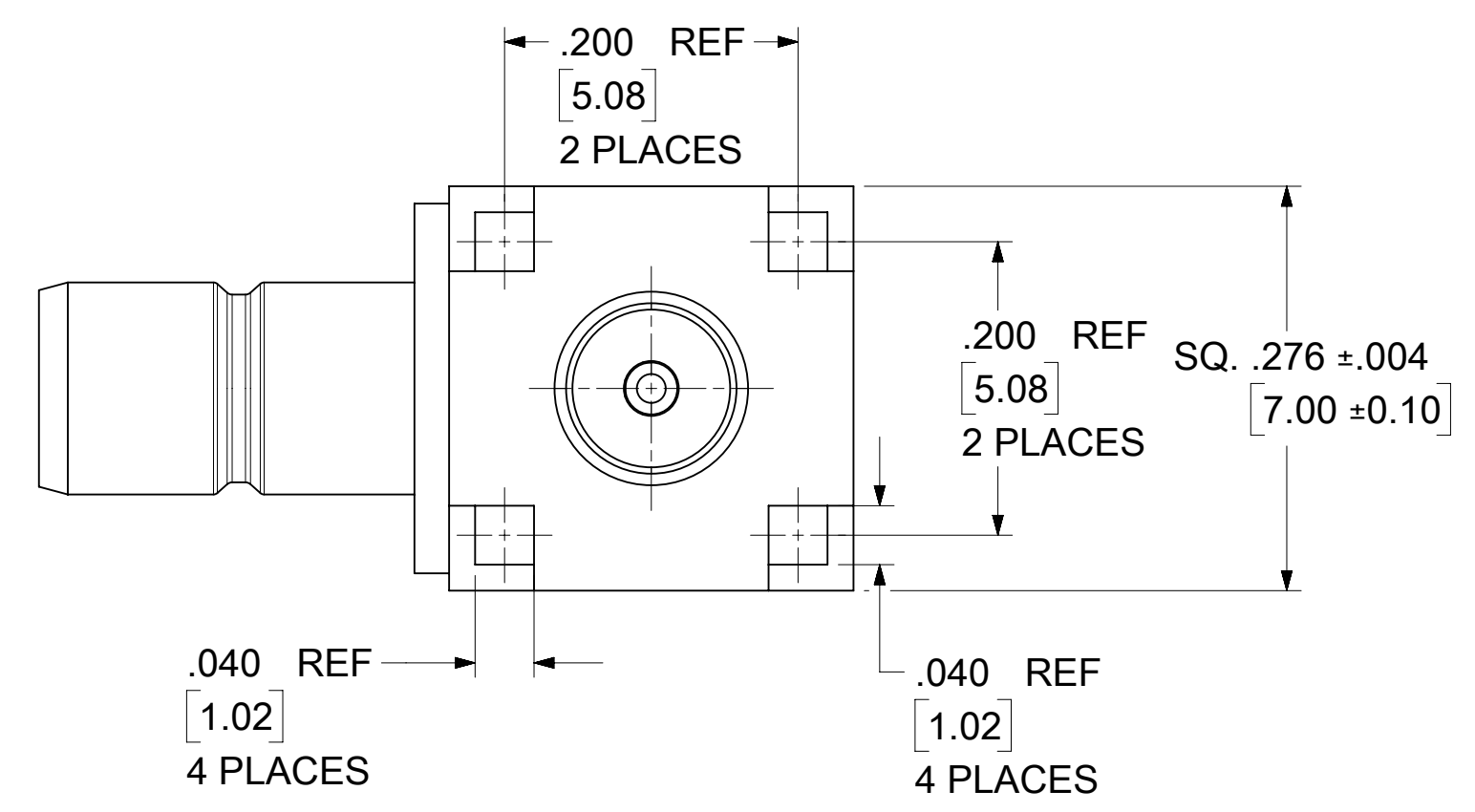
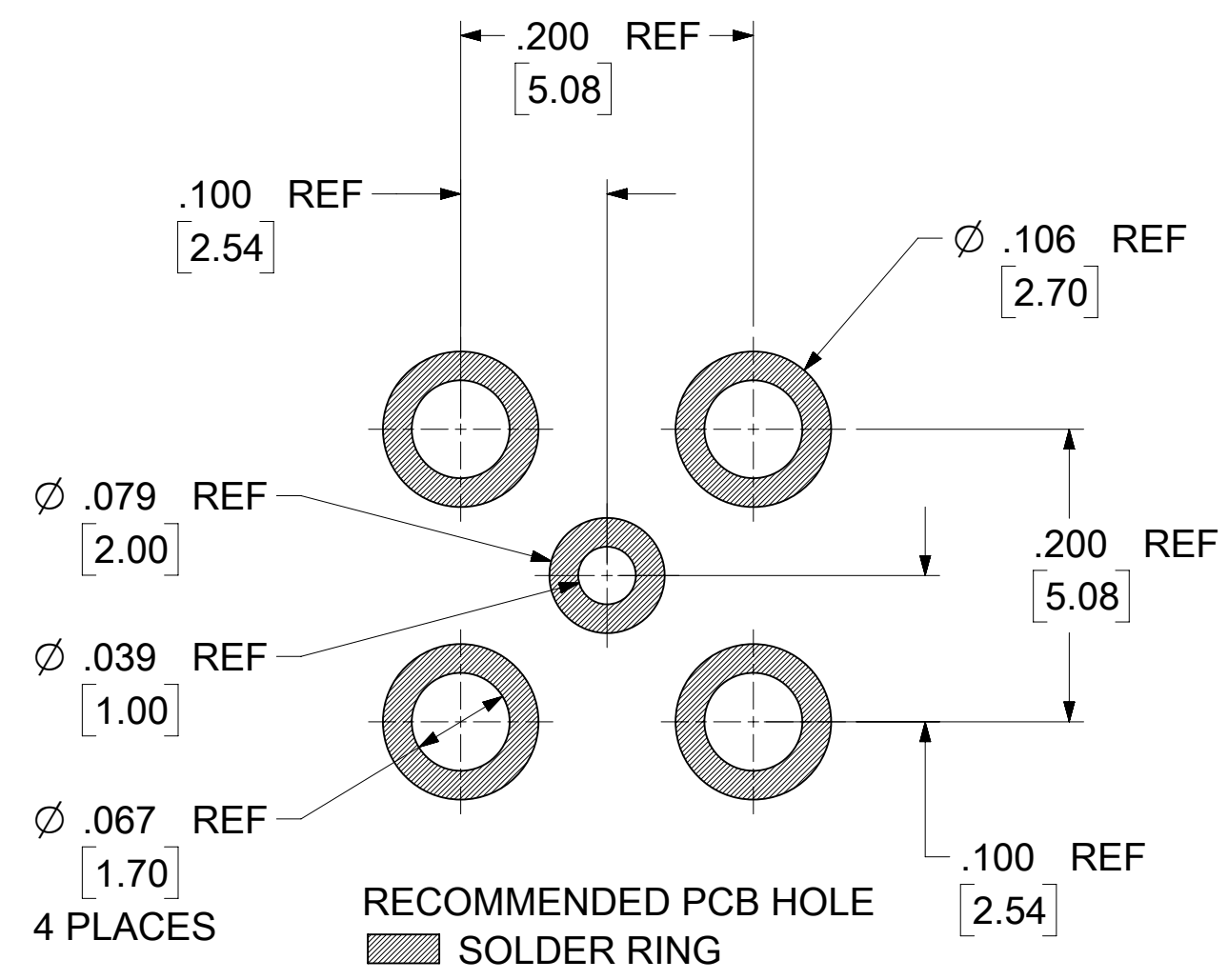
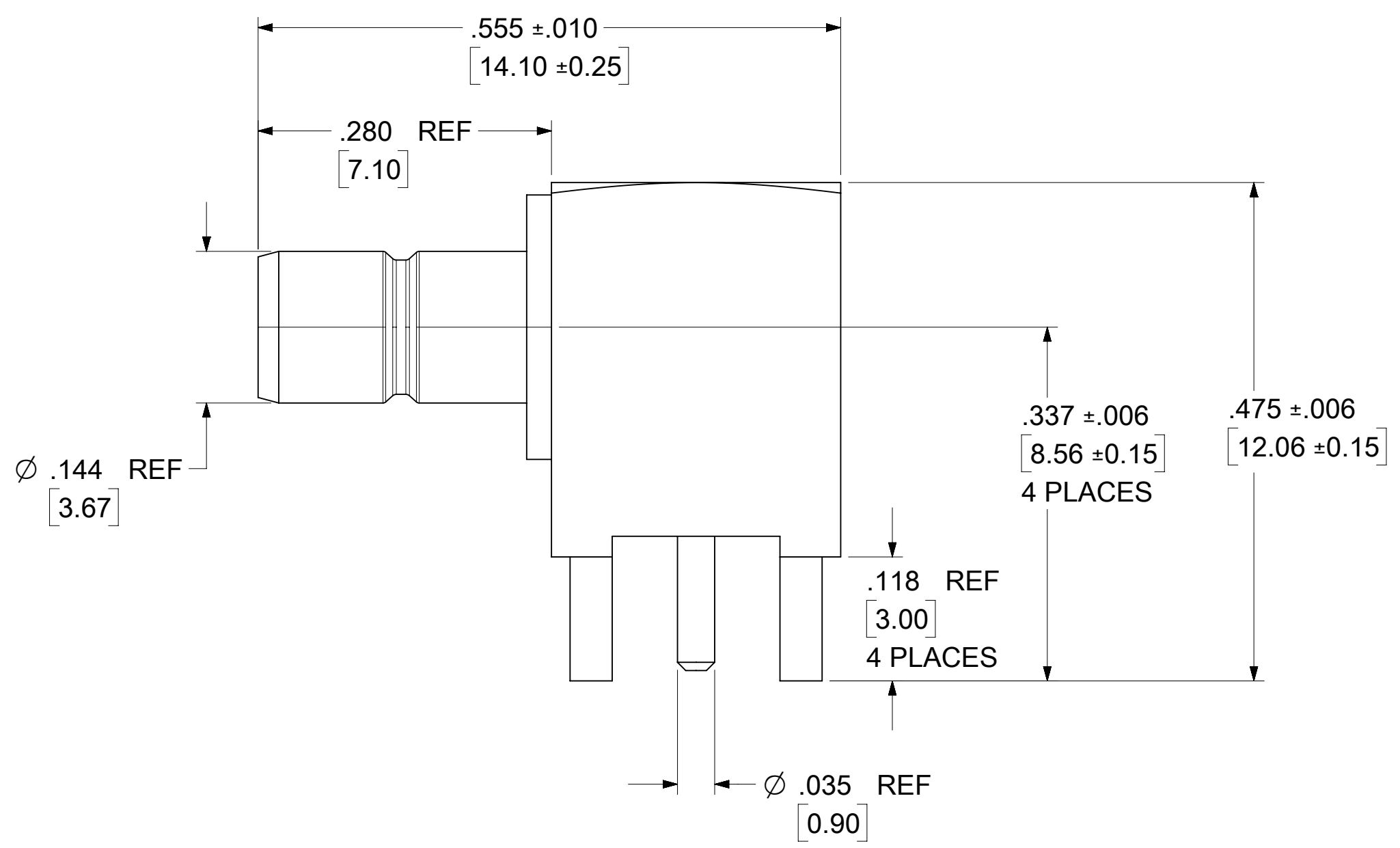
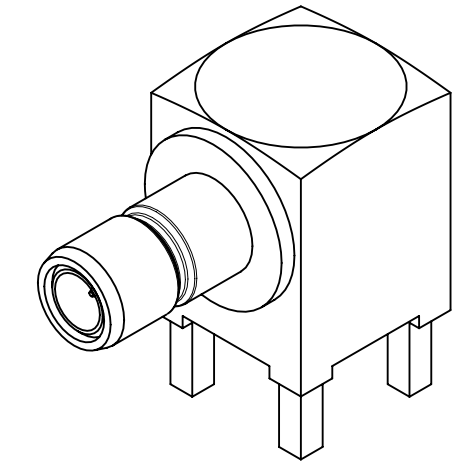


MATERIALS AND FINISHES:

**BODY, HOUSING: BRASS
PLATED GOLD**

**CENTER CONTACT: BRASS
PLATED GOLD**

INSULATOR: TEFLON



73396-0580	SMALL TRAY (20 PCS PER TRAY)	895420200
73404-2280	73100-0103, ONE PER BAG	895420089
73100-0103	TRAY (80 PCS PER TRAY)	895420040
PART NO.	PACKAGING	PACKING SPEC

RF LEAKAGE AND VSWR ARE NOT APPLICABLE IN PS-73598-0099

PS-73598-0099	PRODUCT SPECIFICATION
SPECIFICATION	DESCRIPTION

FUNCTIONAL SYMBOLS	THIS DRAWING CONTAINS INFORMATION THAT IS PROPRIETARY TO MOLEX ELECTRONIC TECHNOLOGIES, LLC AND SHOULD NOT BE USED WITHOUT WRITTEN PERMISSION			
	DIMENSION UNITS	SCALE		
FA = 0	IN/MM	NTS	CURRENT REV DESC: ADD PACKING SPEC PER EWR15423-A	
FC = 0	GENERAL TOLERANCES (UNLESS SPECIFIED)		EC NO: 720546	
FD = 0	ANGULAR TOL ± 2.0°		DRWN: CWEI02	2022/09/07
DIVISIONAL SYMBOLS	4 PLACES	±	CHK'D: YCHENG	2022/09/08
	3 PLACES	±	APPR: YCHENG	2022/09/08
	2 PLACES	± 0.25	INITIAL REVISION:	
	1 PLACE	±	DRWN: RFC_PLMIMP	2017/10/31
0 PLACES	±	APPR: JWIENER	2007/05/01	2022/09/08
DRAFT WHERE APPLICABLE MUST REMAIN WITHIN DIMENSIONS		THIRD ANGLE PROJECTION	DRAWING	SERIES
			C-SIZE	73100
DOCUMENT STATUS		P1	RELEASE DATE	2022/09/08 07:11:07
DOCUMENT NUMBER		CUSTOMER		SHEET NUMBER
SD-73100-0103		GENERAL MARKET		1 OF 1

MATERIALS AND FINISHES

SEE SD-73100-0103

P/N: 73404-2280: THIS IS P/N: 73100-0103 PLACED IN A SINGLE BAG

CHG: NEW RELEASE

EC NO: URF2007-0396
DRAWN BY: DRWIN:LAHERTY 2007/05/01
CHKD:SSHAH 2007/05/01
APPR:WIENER 2007/05/01

REV: A

DESCRIPTION

QUALITY SYMBOLS
▽=0
▽=0

GENERAL TOLERANCES (UNLESS SPECIFIED)

	mm	INCH
4 PLACES	± .---	± .---
3 PLACES	± .---	± .---
2 PLACES	± .---	± .---
1 PLACE	± .---	± .---
ANGULAR ± .---°		

DRAFT WHERE APPLICABLE MUST REMAIN WITHIN DIMENSIONS

DIMENSION STYLE	
MM/IN	
DRAWN BY	DATE
TEF	2007/04/19
CHECKED BY	DATE
SSS	2007/04/19
APPROVED BY	DATE
JDW	2007/04/19

MATERIAL NO. 734042280

SCALE	DESIGN UNITS	THIRD ANGLE PROJECTION
	METRIC	THIRD ANGLE PROJECTION

TITLE
SMB JACK, R/A RECEPTACLE
PCB 50 OHMS
SMB-J/RA/PCB

MOLEX INCORPORATED

DOCUMENT NO. SD-73404-228

SHEET NO. 1 OF 1

SIZE C THIS DRAWING CONTAINS INFORMATION THAT IS PROPRIETARY TO MOLEX INCORPORATED AND SHOULD NOT BE USED WITHOUT WRITTEN PERMISSION