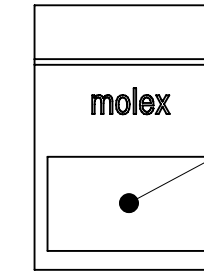
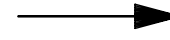


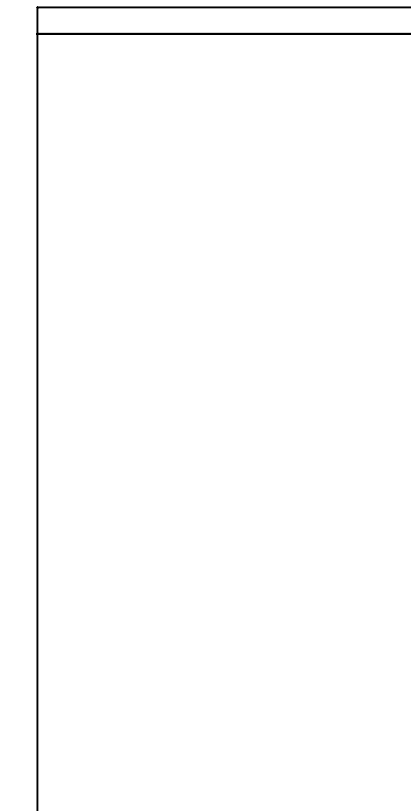
PRODUCT
P/N: XXXXX-XXXX



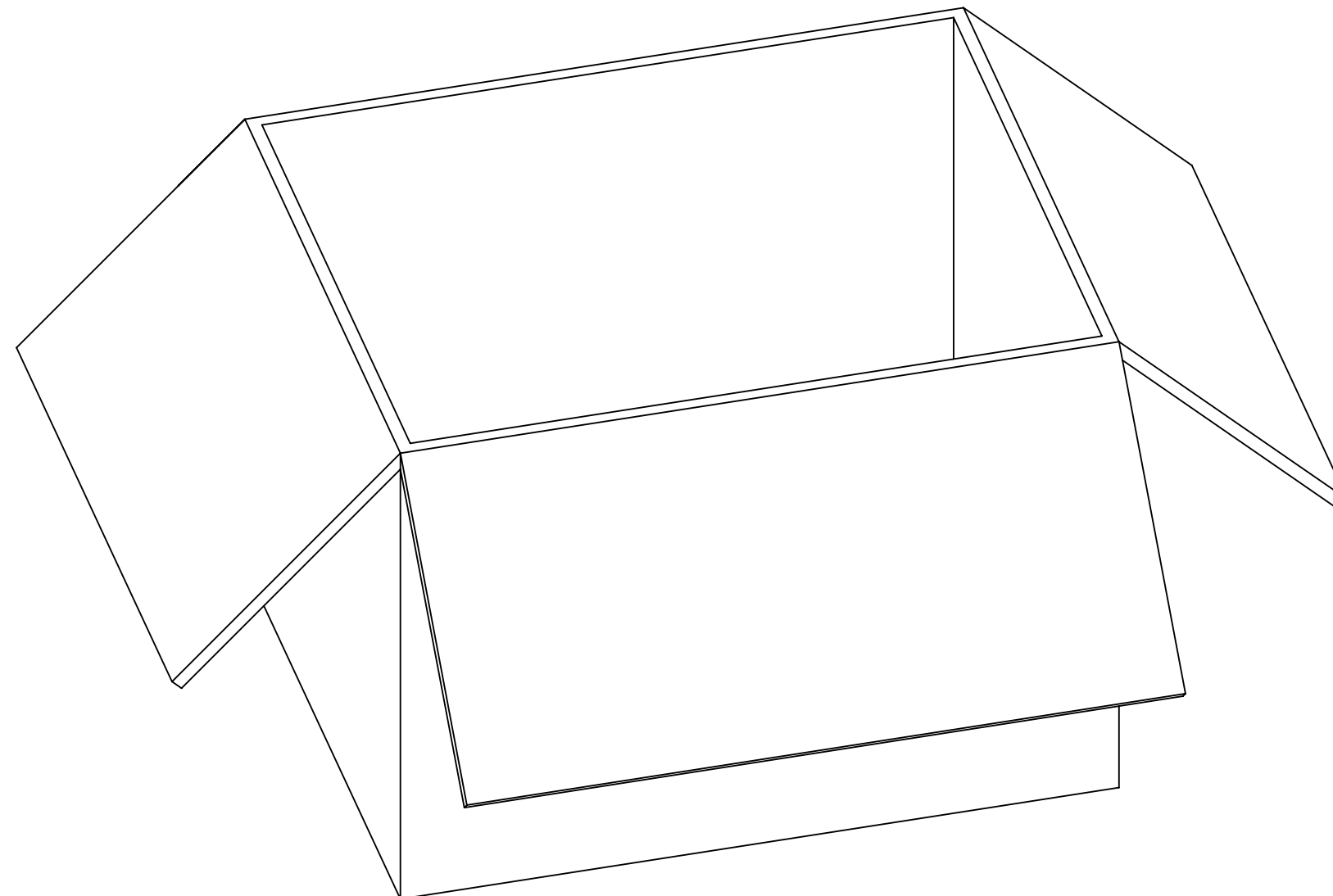
LABEL WITH EACH BAG:

PART NUMBER
ORDER NUMBER
MOLEX
DATE: YYWW

ONE SET PER BAG



50 SETS PER BAG



500 SETS PER CARTON BOX

THIS DRAWING CONTAINS INFORMATION THAT IS PROPRIETARY TO MOLEX ELECTRONIC TECHNOLOGIES, LLC AND SHOULD NOT BE USED WITHOUT WRITTEN PERMISSION

DIMENSION UNITS		SCALE		CURRENT REV DESC: NEW RELEASE PER EWR #15848-B				molex				
mm		NTS										
GENERAL TOLERANCES (UNLESS SPECIFIED)								PACKAGING SPEC 89707-0317 (DU 500) EWR-15848				
ANGULAR TOL		±	°	EC NO: 750290				PRODUCT CUSTOMER DRAWING				
4 PLACES		±		DRWN: RYEH		2023/05/18						
3 PLACES		±		CHK'D: YCHENG		2023/05/24						
2 PLACES		±		APPR: YCHENG		2023/05/24						
1 PLACE		±		INITIAL REVISION:				DOCUMENT NUMBER		DOC TYPE	DOC PART	REVISION
0 PLACES		±		DRWN: RYEH		2023/05/18		895420089		PSD	000	A
				APPR: YCHENG		2023/05/24		MATERIAL NUMBER		CUSTOMER		SHEET NUMBER
DRAFT WHERE APPLICABLE MUST REMAIN WITHIN DIMENSIONS		THIRD ANGLE PROJECTION		DRAWING		SERIES		895420089				1 OF 1
				C-SIZE		89542						

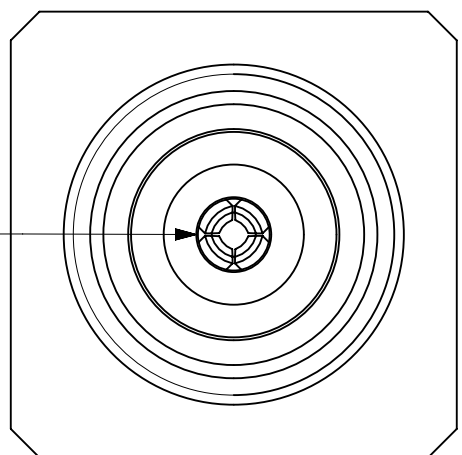
MATERIALS & FINISHES:

BODY: BRASS
PLATING SEE TABLE

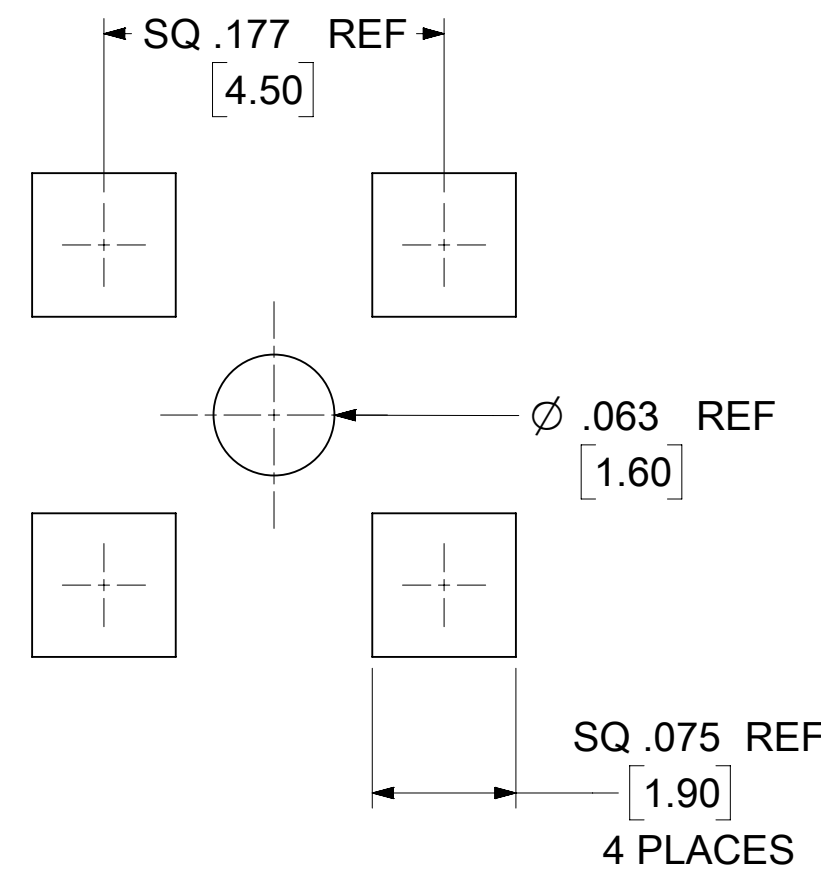
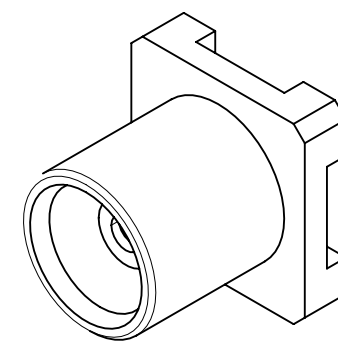
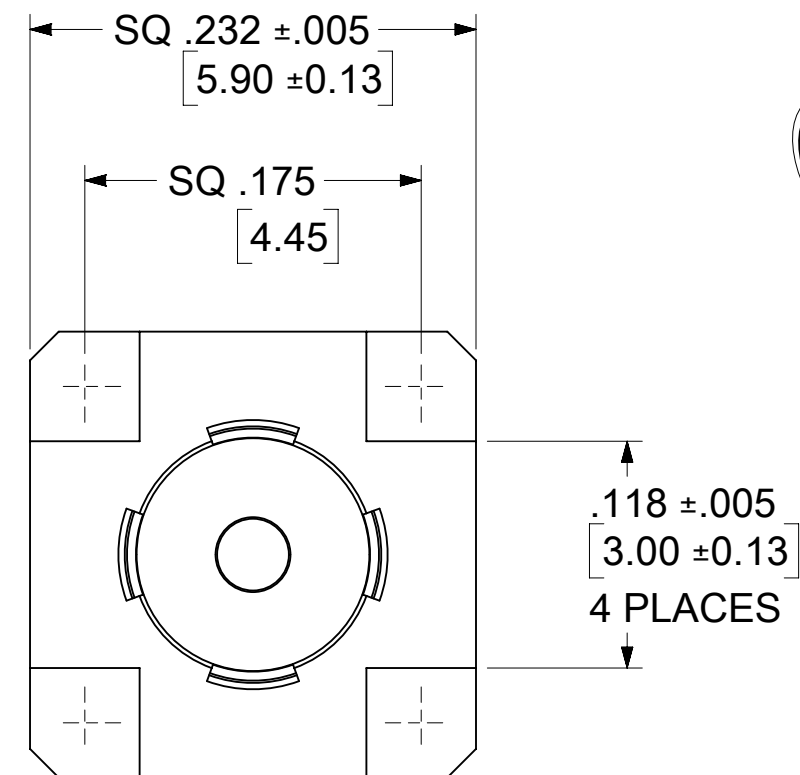
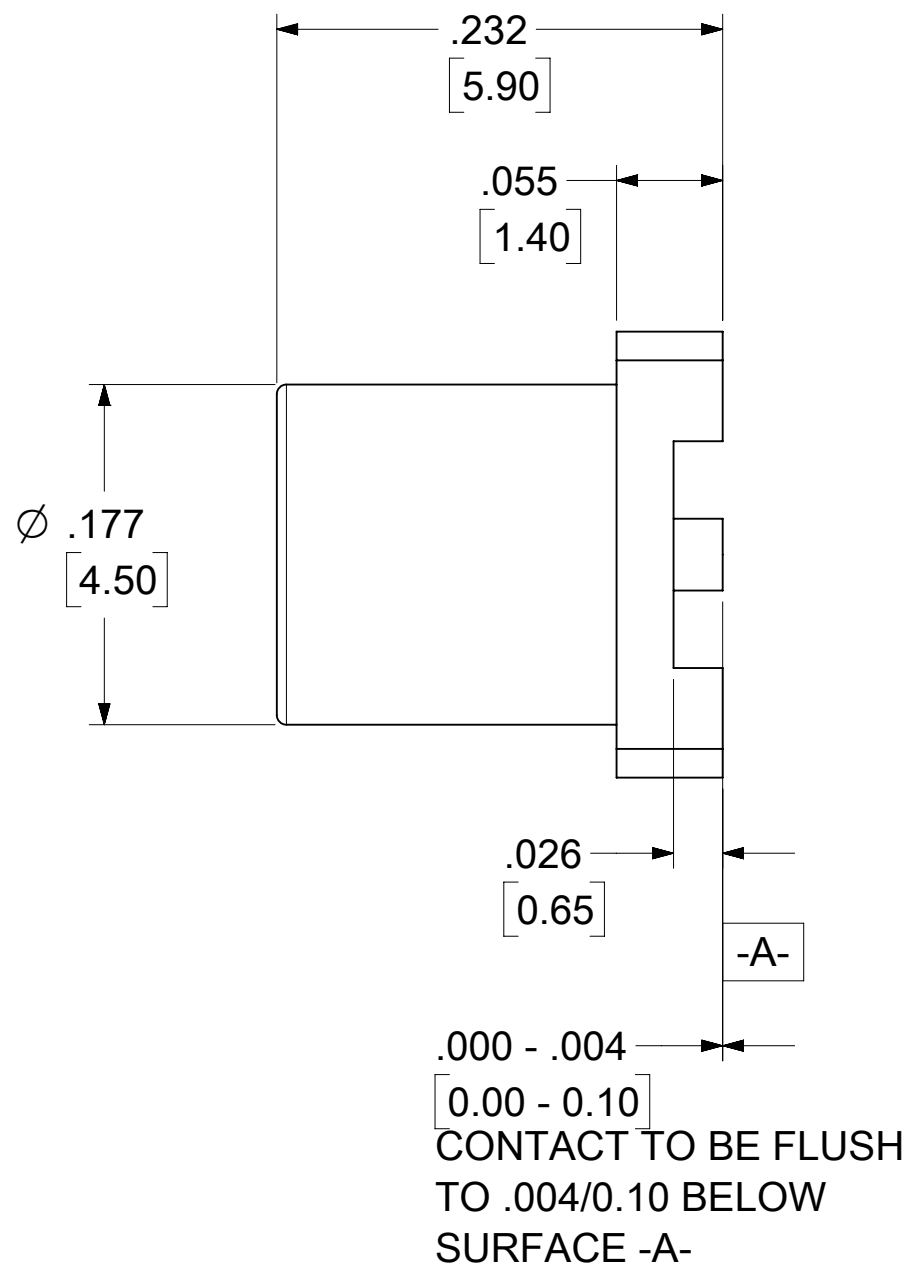
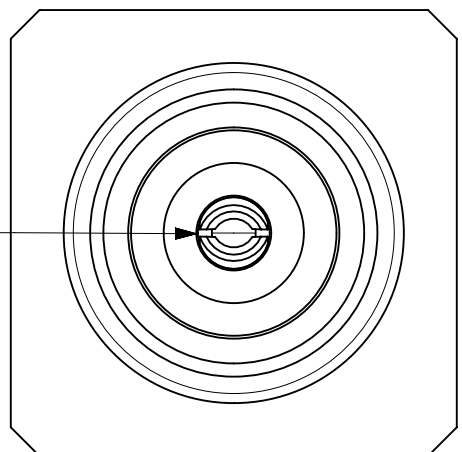
CONTACT: BERYLLIUM COPPER
GOLD (30µ-in MIN)

INSULATOR: TEFLON

NOTE:
73415-1696 & 73415-1697
WITH 4 SLOTS CONTACT



NOTE:
73415-1690 & 73415-1691 &
73415-1692 & 73415-1693 &
73415-1694 & 73415-1695 &
73415-1698 & 73415-1699 &
73366-6510
WITH 2 SLOTS CONTACT



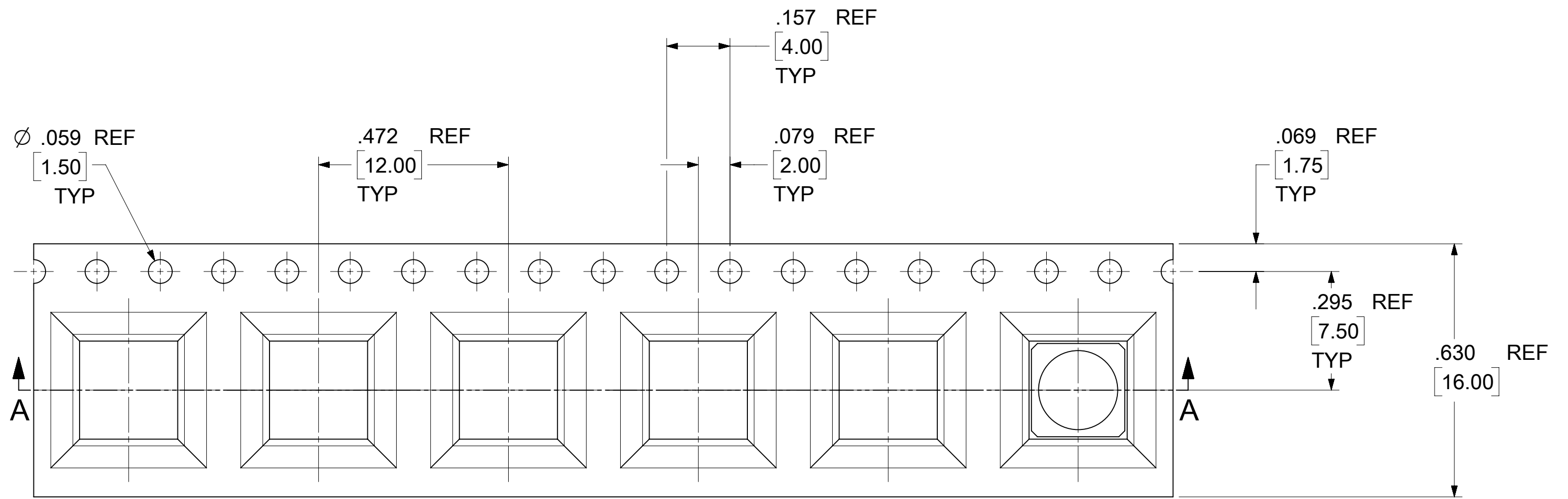
RECOMMENDED MOUNTING PATTERN

73366-6510	GOLD (1µ-in MIN)	2 SLOTS	73415-1691 TAPE & REEL WITH KAPTON	750 PCS PER REEL	SHEET 2, 3 & 4
73415-1699	GOLD (1µ-in MIN)	2 SLOTS	73416-1691 ONE PER BAG	1 PCS PER BAG	895420089
73415-1698	GOLD (30µ-in MIN)	2 SLOTS	73415-1698 TAPE & REEL WITH KAPTON	750 PCS PER REEL	SHEET 2, 3 & 4
73415-1697	GOLD (1µ-in MIN)	4 SLOTS	73415-1696 TAPE & REEL WITH KAPTON	750 PCS PER REEL	SHEET 2, 3 & 4
73415-1696	GOLD (1µ-in MIN)	4 SLOTS	73415-1696 BAG	500 PCS PER BAG	895420601
73415-1695	NICKEL	2 SLOTS	73415-1690 TAPE & REEL WITH KAPTON	750 PCS PER REEL	SHEET 2, 3 & 4
73415-1694	GOLD (1µ-in MIN)	2 SLOTS	73416-1691 SMALL TRAY	20 PCS PER TRAY	895420200
73415-1693	NICKEL	2 SLOTS	73415-1690 SMALL TRAY	20 PCS PER TRAY	895420200
73415-1692	GOLD (1µ-in MIN)	2 SLOTS	73415-1691 TAPE & REEL WITH KAPTON	750 PCS PER REEL	SHEET 2, 3 & 4
73415-1691	GOLD (1µ-in MIN)	2 SLOTS	73415-1691 BAG	500 PCS PER BAG	895420161
73415-1690	NICKEL	2 SLOTS	73415-1690 BAG	500 PCS PER BAG	895420161
PART NO.	BODY PLATING	CONTACT	DESCRIPTION	QUANTITY	PACKING SPEC

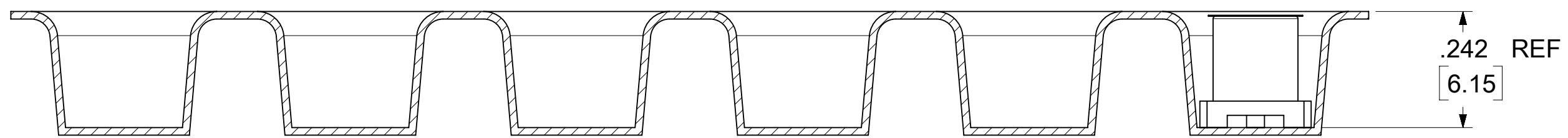
PS-89675-183	ELEC/MECH PERFORMANCE
SPECIFICATION	DESCRIPTION

THIS DRAWING CONTAINS INFORMATION THAT IS PROPRIETARY TO MOLEX ELECTRONIC TECHNOLOGIES, LLC AND SHOULD NOT BE USED WITHOUT WRITTEN PERMISSION

DIMENSION UNITS	SCALE	CURRENT REV DESC: ADD PACKING SPEC PER EWR #15848-A	molex		
INCH/MM	NTS				
GENERAL TOLERANCES (UNLESS SPECIFIED)			MCX PCB/SMT JACK 50 OHM MCX-J/PCB/SMT EWR-1148		
4 PLACES	±	±	PRODUCT CUSTOMER DRAWING		
3 PLACES	±	± 0.01	DOCUMENT NUMBER		
2 PLACES	±	0.25	SD-73415-169		
1 PLACE	±	±	DOC TYPE DOC PART REVISION		
0 PLACES	±	±	PSD 001 B7		
ANGULAR TOL	±	2.0 °	MATERIAL NUMBER		
DRAFT WHERE APPLICABLE MUST REMAIN WITHIN DIMENSIONS			CUSTOMER		
THIRD ANGLE PROJECTION			GENERAL MARKET		
DRAWING			SHEET NUMBER		
C-SIZE			73415		
SERIES			1 OF 4		



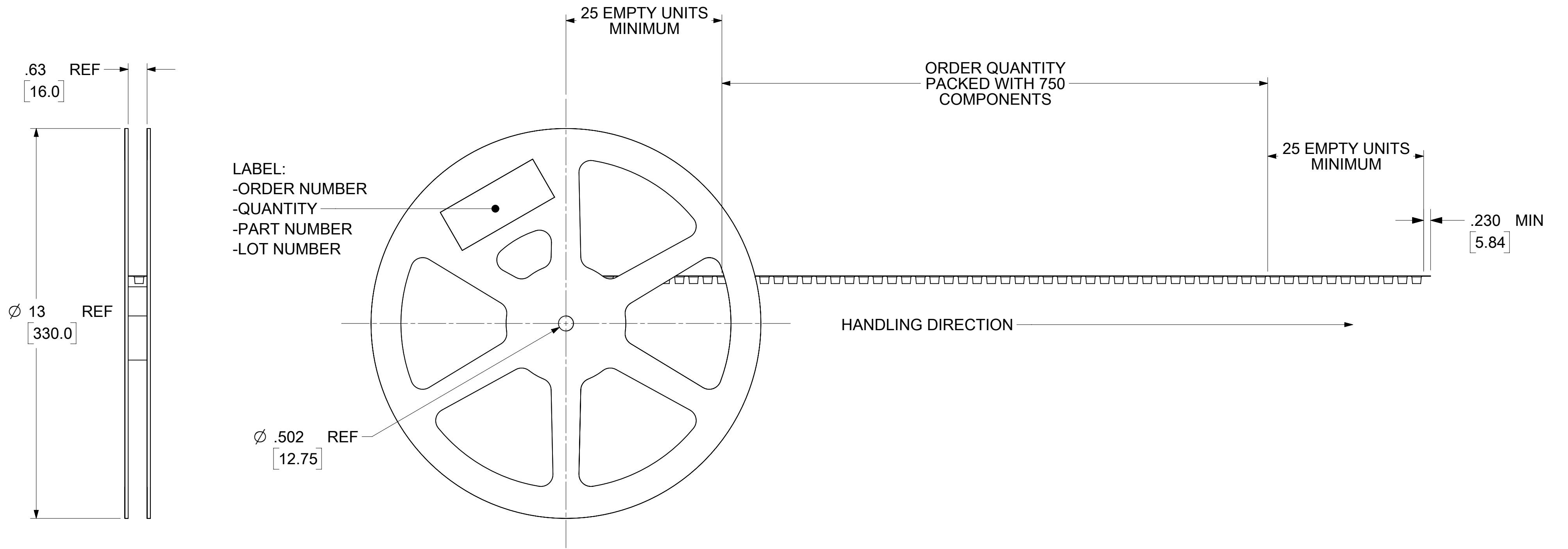
VIEWS FOR 73415-1692 & 73415-1695 & 73415-1697 & 73415-1698 & 73366-6510



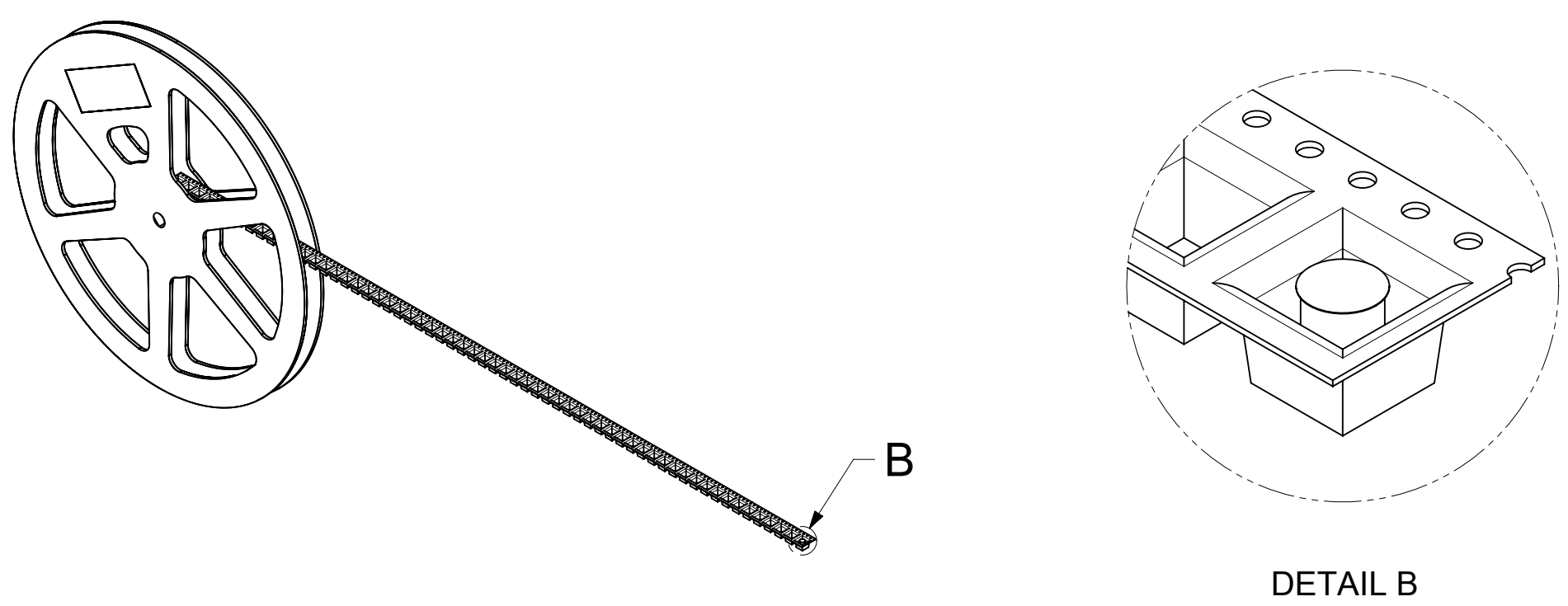
SECTION A-A

THIS DRAWING CONTAINS INFORMATION THAT IS PROPRIETARY TO MOLEX ELECTRONIC TECHNOLOGIES, LLC AND SHOULD NOT BE USED WITHOUT WRITTEN PERMISSION										
DIMENSION UNITS INCH/MM		SCALE NTS		CURRENT REV DESC: ADD PACKING SPEC PER EWR #15848-A			molex			
GENERAL TOLERANCES (UNLESS SPECIFIED)				EC NO: 750290						
		MM	INCH	DRWN: RYEH 2023/05/10			MCX PCB/SMT JACK 50 OHM			
4 PLACES		±	±	CHK'D: YCHENG 2023/05/24			MCX-J/PCB/SMT EWR-1148			
3 PLACES		±	± 0.01	APPR: YCHENG 2023/05/24			PRODUCT CUSTOMER DRAWING			
2 PLACES		± 0.25	±	INITIAL REVISION:			DOCUMENT NUMBER			
1 PLACE		±	±	DRWN: YCHENG 2007/02/08			SD-73415-169			
0 PLACES		±	±	APPR: MHUANG 2007/02/09			PSD 001 B7			
ANGULAR TOL		± 2.0 °		THIRD ANGLE PROJECTION			MATERIAL NUMBER			
DRAFT WHERE APPLICABLE MUST REMAIN WITHIN DIMENSIONS					DRAWING C-SIZE		SERIES 73415		CUSTOMER GENERAL MARKET	SHEET NUMBER 2 OF 4

DOCUMENT STATUS	P1	RELEASE DATE	2023/05/24 11:34:23
-----------------	----	--------------	---------------------



VIEWS FOR 73415-1692 & 73415-1695 & 73415-1697 & 73415-1698 & 73366-6510

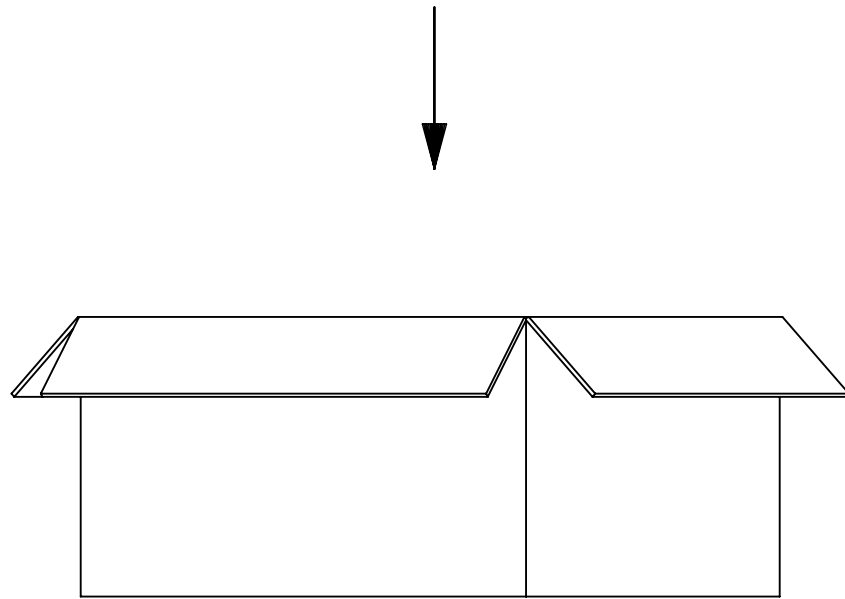


THIS DRAWING CONTAINS INFORMATION THAT IS PROPRIETARY TO MOLEX ELECTRONIC TECHNOLOGIES, LLC AND SHOULD NOT BE USED WITHOUT WRITTEN PERMISSION											
DIMENSION UNITS INCH/MM		SCALE NTS		CURRENT REV DESC: ADD PACKING SPEC PER EWR #15848-A			molex				
GENERAL TOLERANCES (UNLESS SPECIFIED)				EC NO: 750290							
		MM	INCH	DRWN: RYEH 2023/05/10			MCX PCB/SMT JACK 50 OHM				
4 PLACES		±	±	CHK'D: YCHENG 2023/05/24			MCX-J/PCB/SMT EWR-1148				
3 PLACES		±	± 0.01	APPR: YCHENG 2023/05/24			PRODUCT CUSTOMER DRAWING				
2 PLACES		± 0.25	±	INITIAL REVISION:			DOCUMENT NUMBER		DOC TYPE	DOC PART	REVISION
1 PLACE		±	±	DRWN: YCHENG 2007/02/08			SD-73415-169		PSD	001	B7
0 PLACES		±	±	APPR: MHUANG 2007/02/09			MATERIAL NUMBER		CUSTOMER		SHEET NUMBER
ANGULAR TOL		± 2.0 °		THIRD ANGLE PROJECTION		DRAWING	SERIES	SEE TABLE	GENERAL MARKET	3 OF 4	
DRAFT WHERE APPLICABLE MUST REMAIN WITHIN DIMENSIONS						C-SIZE	73415				

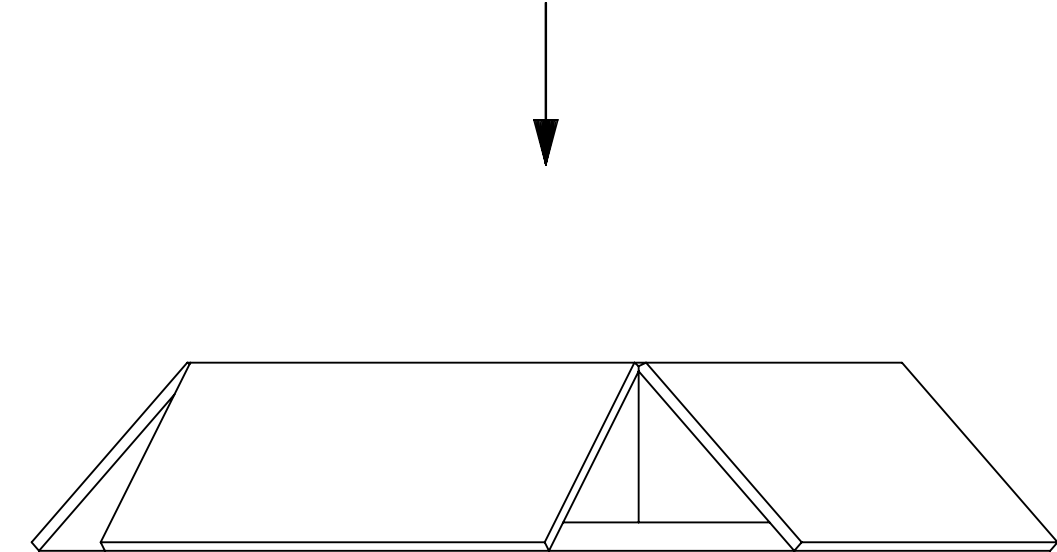
DOCUMENT STATUS	P1	RELEASE DATE	2023/05/24	11:34:23
-----------------	----	--------------	------------	----------

73415-1698	73415-1698 TAPE & REEL WITH KAPTON	750 PCS	6000 PCS
73415-1697	73415-1696 TAPE & REEL WITH KAPTON	750 PCS	6000 PCS
73415-1695	73415-1690 TAPE & REEL WITH KAPTON	750 PCS	6000 PCS
73415-1692	73415-1691 TAPE & REEL WITH KAPTON	750 PCS	6000 PCS
PART NO.	DESCRIPTION	QTY/REEL	QTY/CARTON

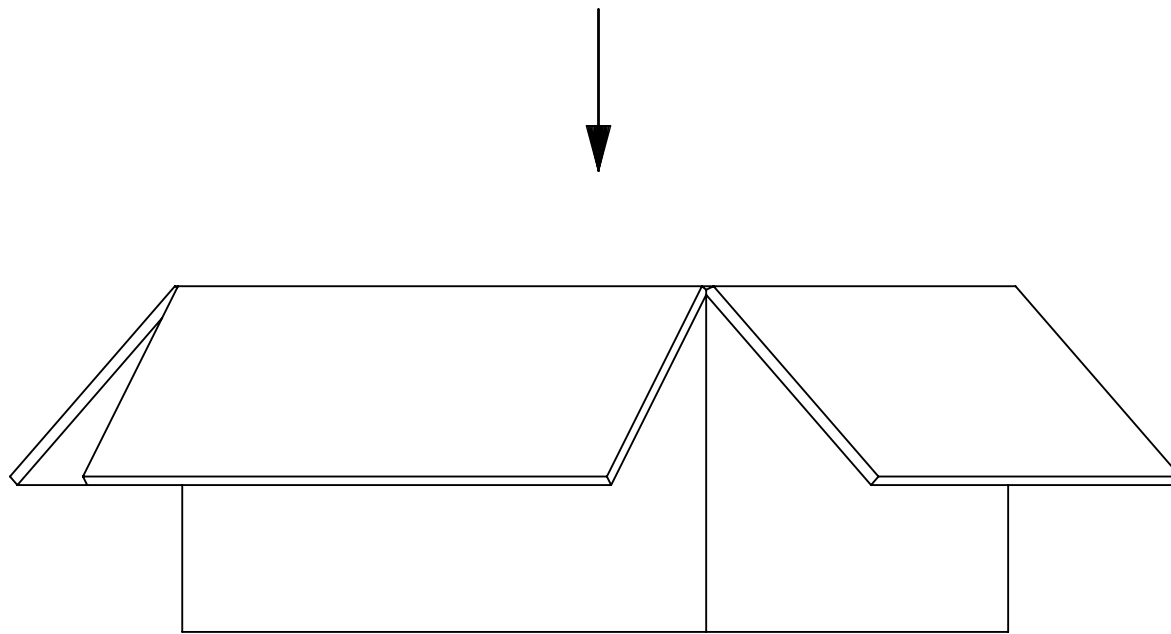
73366-6510	73415-1691 TAPE & REEL WITH KAPTON	750 PCS	750 PCS
PART NO.	DESCRIPTION	QTY/REEL	QTY/CARTON



8 REELS PER INNER CARTON BOX
(8 X 750 = 6000 PCS)



1 REEL PER CARTON BOX
(1 X 750 = 750 PCS)



8 REELS PER OUTER CARTON BOX
(8 X 750 = 6000 PCS)

THIS DRAWING CONTAINS INFORMATION THAT IS PROPRIETARY TO MOLEX ELECTRONIC TECHNOLOGIES, LLC AND SHOULD NOT BE USED WITHOUT WRITTEN PERMISSION									
DIMENSION UNITS		SCALE		CURRENT REV DESC: ADD PACKING SPEC PER EWR #15848-A			molex		
INCH/MM		NTS							
GENERAL TOLERANCES (UNLESS SPECIFIED)				EC NO: 750290 DRWN: RYEH 2023/05/10 CHK'D: YCHENG 2023/05/24 APPR: YCHENG 2023/05/24 INITIAL REVISION: DRWN: YCHENG 2007/02/08 APPR: MHUANG 2007/02/09			MCX PCB/SMT JACK 50 OHM MCX-J/PCB/SMT EWR-1148		
4 PLACES	±		±				PRODUCT CUSTOMER DRAWING		
3 PLACES	±		± 0.01				DOCUMENT NUMBER		
2 PLACES	±	0.25	±				SD-73415-169		
1 PLACE	±		±				DOC TYPE		
0 PLACES	±		±	PSD					
ANGULAR TOL ± 2.0 °				THIRD ANGLE PROJECTION			DOC PART		
DRAFT WHERE APPLICABLE MUST REMAIN WITHIN DIMENSIONS				DRAWING			REVISION		
				C-SIZE			001 B7		
				SERIES			SHEET NUMBER		
				73415			4 OF 4		
				MATERIAL NUMBER			CUSTOMER		
				SEE TABLE			GENERAL MARKET		

DOCUMENT STATUS	P1	RELEASE DATE	2023/05/24	11:34:23
-----------------	----	--------------	------------	----------