

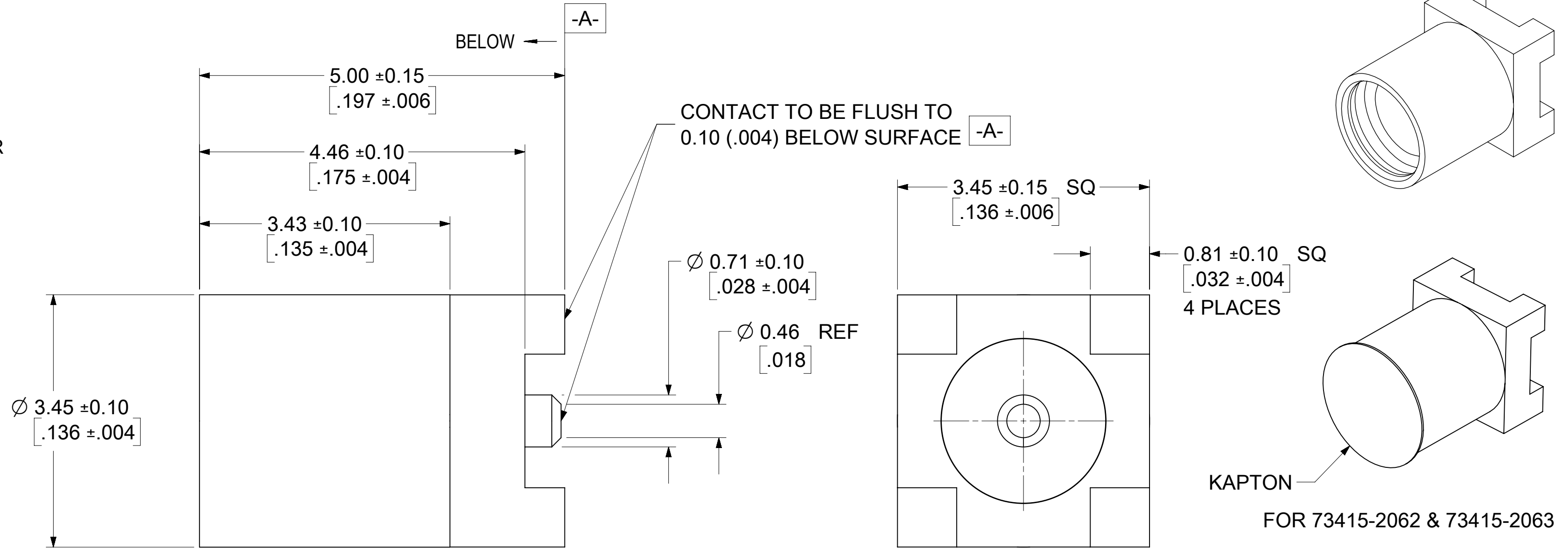
MATERIALS AND FINISHES

BODY BRASS  
PLATED GOLD

CENTER CONTACT BERYLLIUM COPPER  
PLATED GOLD

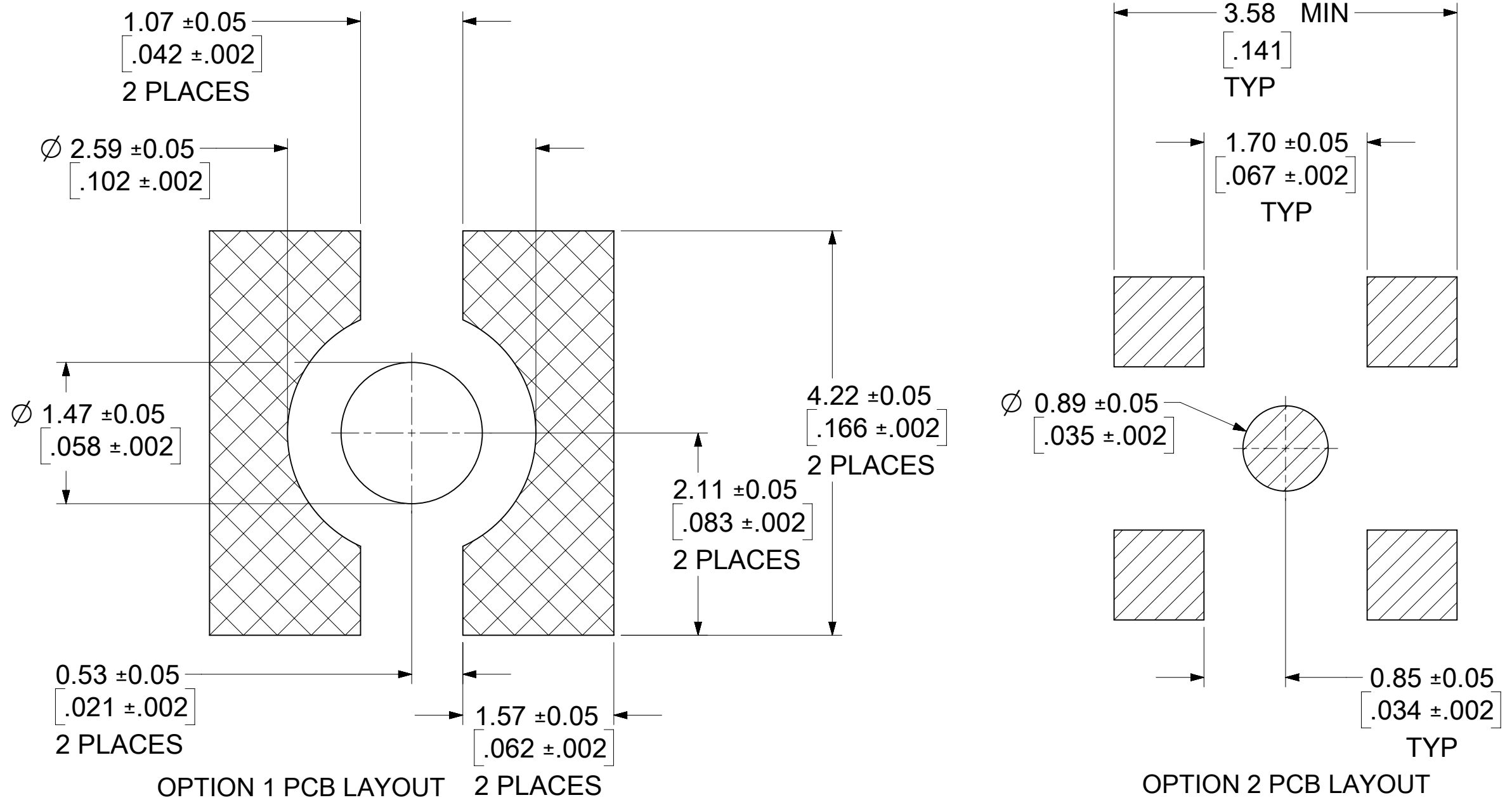
INSULATOR TEFLON

KAPTON  
COLOR AMBER

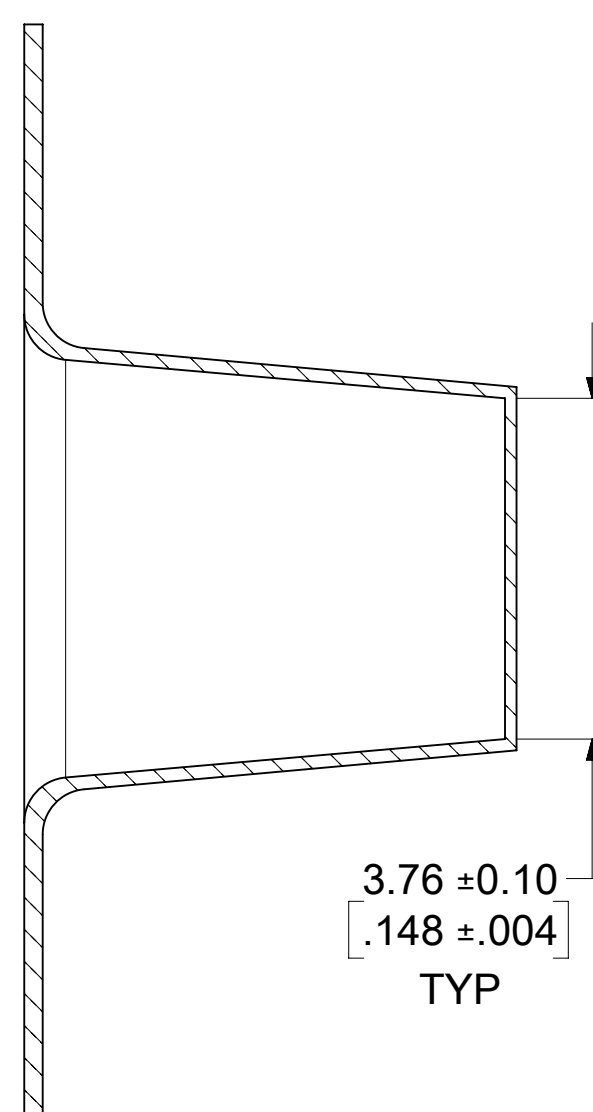
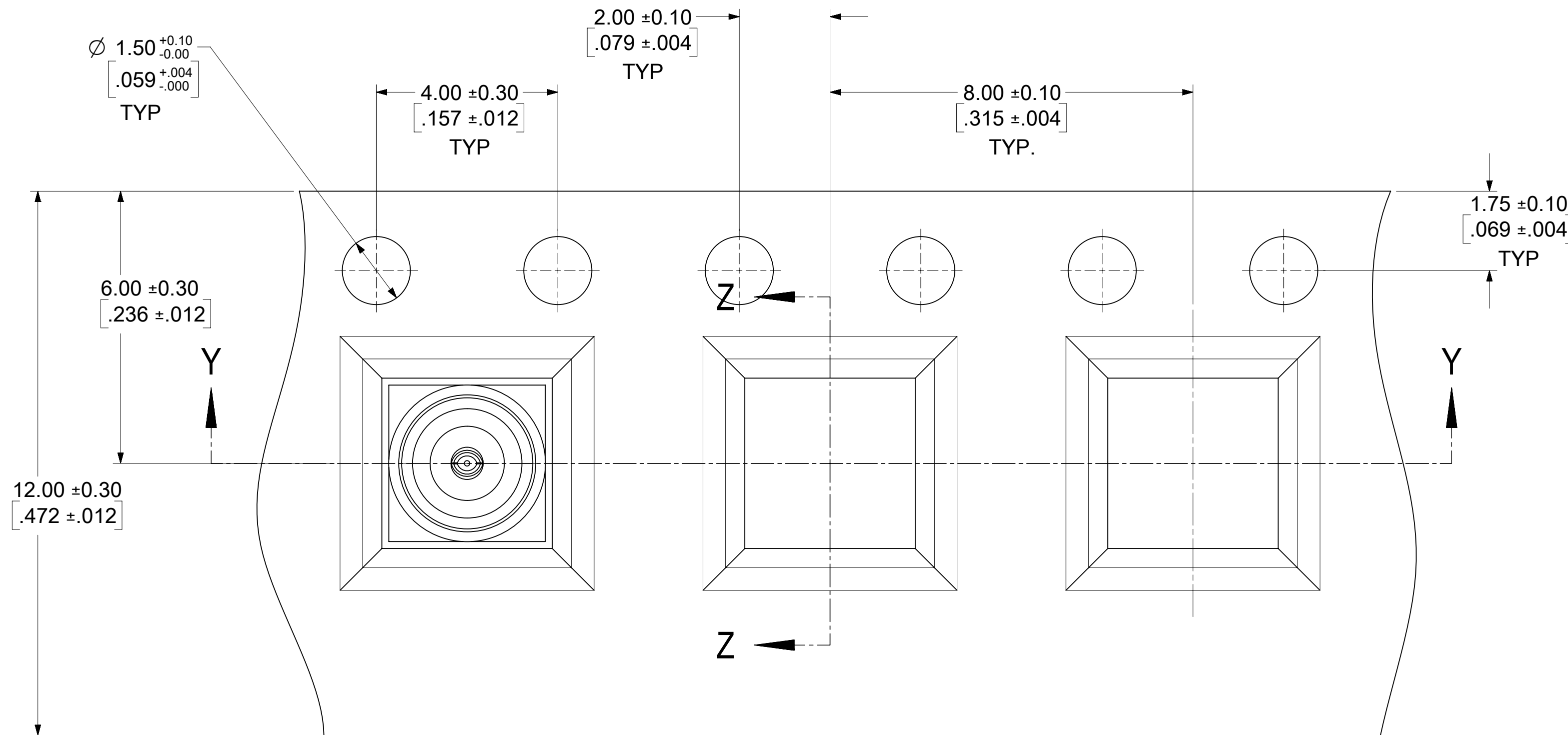


PS-89675-1920	ELECTRO/MECH PERFORM.
SPECIFICATION	DESCRIPTION

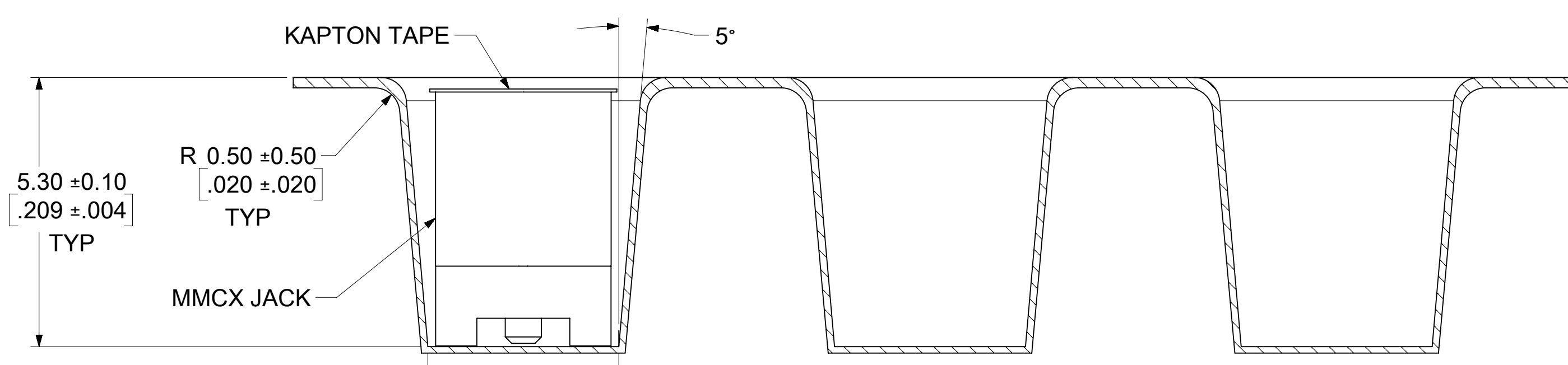
73415-2065	73415-2061 WITH TAPE & REEL WITHOUT KAPTON
73415-2064	73415-2061. ONE PER BAG
73415-2063	73415-2061 WITH TAPE & REEL/KAPTON
73415-2062	73415-2060 WITH TAPE & REEL/KAPTON
73415-2061	PER COMMERCIAL REQUIREMENTS, PACKING TRAY
73415-2060	PER MILITARY REQUIREMENTS, PACKING TRAY
PART NO.	PLATING



FUNCTIONAL SYMBOLS FA = 0 EC = 0 EP = 0 DIVISIONAL SYMBOLS 4 PLACES ± 3 PLACES ± 2 PLACES ± 1 PLACE ± 0 PLACES ±	THIS DRAWING CONTAINS INFORMATION THAT IS PROPRIETARY TO MOLEX ELECTRONIC TECHNOLOGIES, LLC AND SHOULD NOT BE USED WITHOUT WRITTEN PERMISSION		SCALE MM/INCH NTS		CURRENT REV DESC: EWR # 15708-A : ADDED PACKAGING SPEC FOR -2060 & -2061 PART NO					
	GENERAL TOLERANCES (UNLESS SPECIFIED) ANGULAR TOL ± 2.0°		EC NO: 740907 DRWN: JSU18 CHK'D: YCHENG APPR: YCHENG		2023/03/02 2023/03/16 2023/03/16				MMX JACK, VERTICAL PCB/SMT 50 OHMS MMX-J/PCB	
	DRAFT WHERE APPLICABLE MUST REMAIN WITHIN DIMENSIONS		THIRD ANGLE PROJECTION		DRAWING SERIES C-SIZE 73415		PRODUCT CUSTOMER DRAWING DOCUMENT NUMBER SD-73415-206		DOC TYPE DOC PART REVISION PSD 001 B2	
	MATERIAL NUMBER GENERAL MARKET		CUSTOMER 1 OF 5		SHEET NUMBER		1 OF 5		1 OF 5	



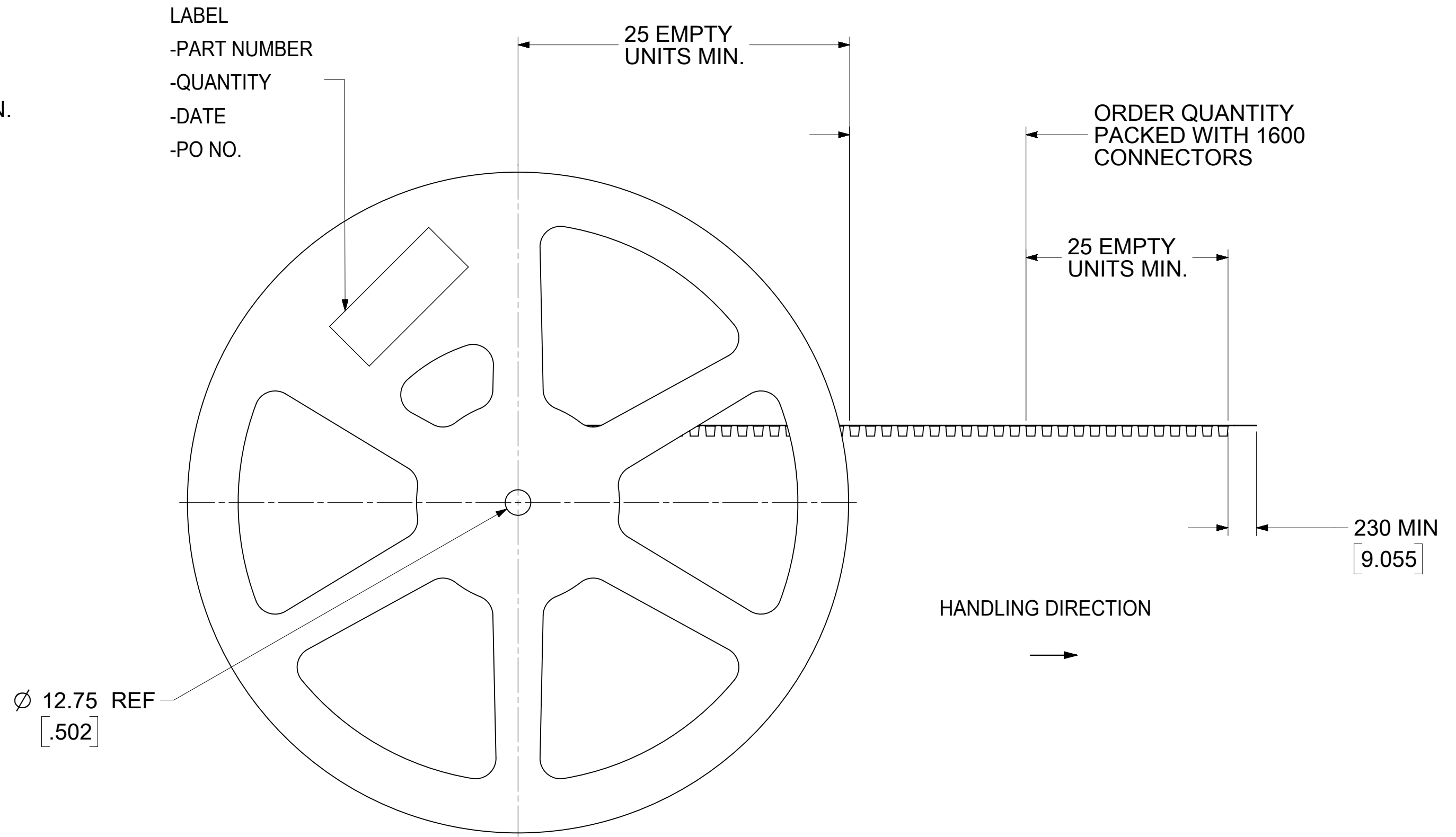
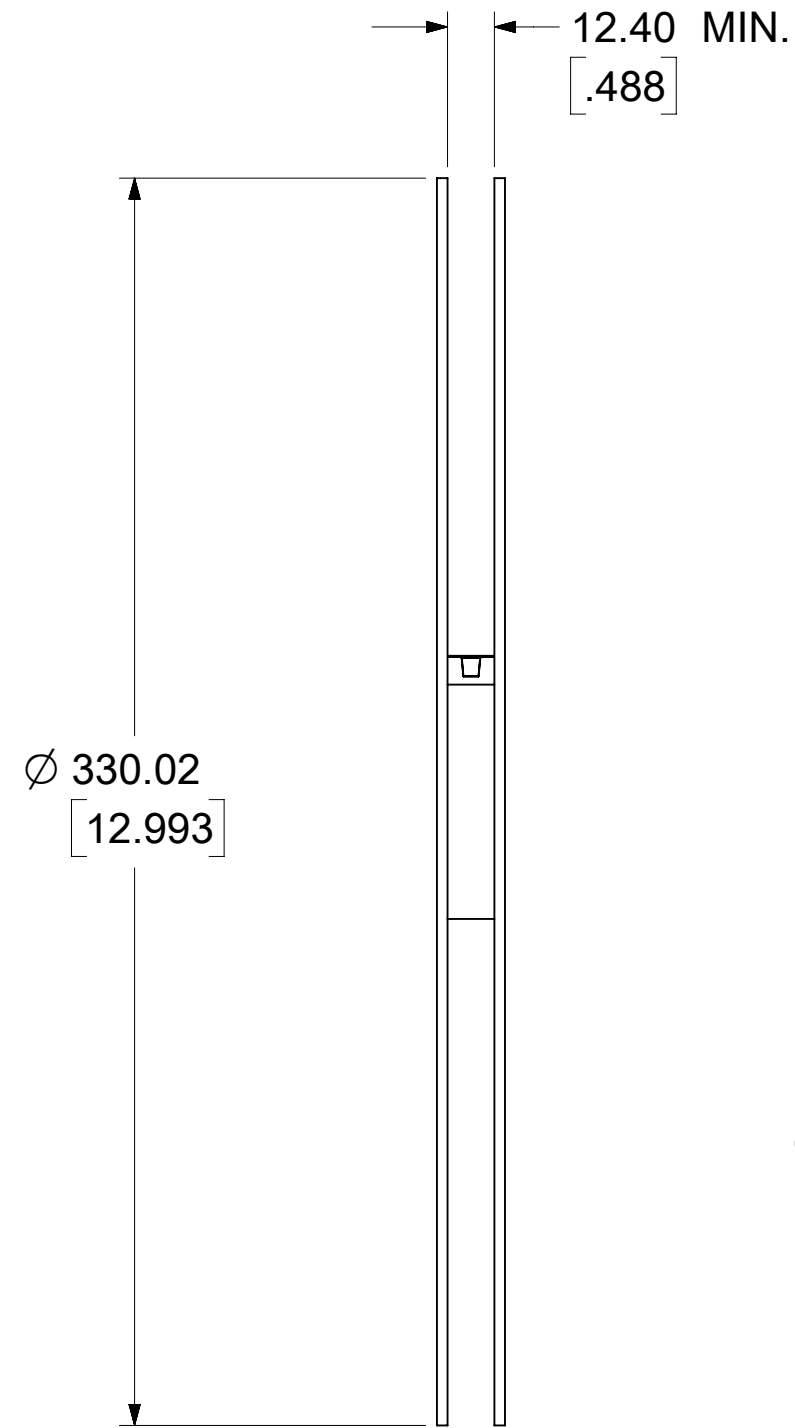
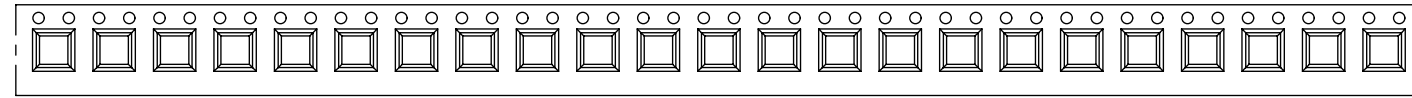
SECTION Z-Z



SECTION Y-Y

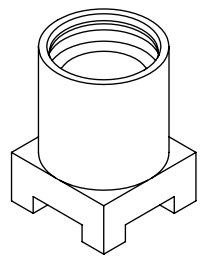
FUNCTIONAL SYMBOLS $\frac{F}{A} = 0$ $\frac{F}{C} = 0$ $\frac{F}{P} = 0$	THIS DRAWING CONTAINS INFORMATION THAT IS PROPRIETARY TO MOLEX ELECTRONIC TECHNOLOGIES, LLC AND SHOULD NOT BE USED WITHOUT WRITTEN PERMISSION		CURRENT REV DESC: EWR # 15708-A : ADDED PACKAGING SPEC FOR -2060 & -2061 PART NO	
	DIMENSION UNITS	SCALE		
	MM/INCH	NTS		
	GENERAL TOLERANCES (UNLESS SPECIFIED)			
ANGULAR TOL $\pm 2.0^\circ$				
4 PLACES $\pm$		EC NO: 740907		
3 PLACES $\pm$		DRWN: JSU18 2023/03/02		
2 PLACES $\pm$		CHK'D: YCHENG 2023/03/16		
1 PLACE $\pm$		APPR: YCHENG 2023/03/16		
0 PLACES $\pm$		INITIAL REVISION:		
DRAFT WHERE APPLICABLE MUST REMAIN WITHIN DIMENSIONS		DRWN: TFLAHERTY 2006/02/09		
THIRD ANGLE PROJECTION		APPR: JWIENER 2006/02/09		
DRAWING		SERIES		
C-SIZE		73415		
DOCUMENT NUMBER		DOC TYPE   DOC PART   REVISION		
SD-73415-206		PSD   001   B2		
MATERIAL NUMBER		CUSTOMER		
GENERAL MARKET		SHEET NUMBER		
		2 OF 5		

NOTE:  
13" REEL SIZE FOR 1600 PIECES

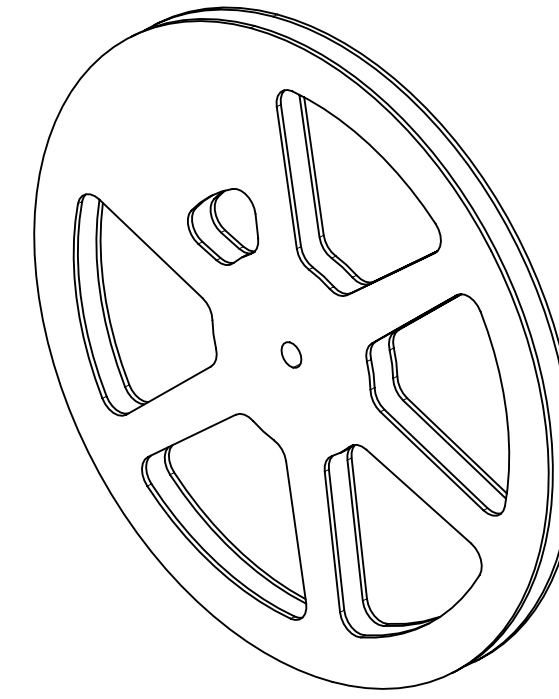
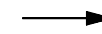
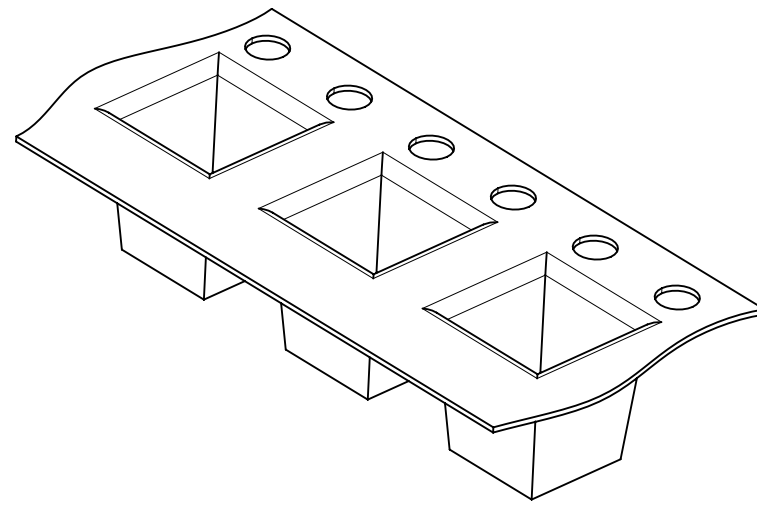
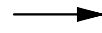


FUNCTIONAL SYMBOLS	THIS DRAWING CONTAINS INFORMATION THAT IS PROPRIETARY TO MOLEX ELECTRONIC TECHNOLOGIES, LLC AND SHOULD NOT BE USED WITHOUT WRITTEN PERMISSION									
	DIMENSION UNITS	SCALE	CURRENT REV DESC: EWR # 15708-A : ADDED PACKAGING SPEC FOR -2060 & -2061 PART NO							
$\nabla_A = 0$	MM/INCH	NTS	<b>molex</b>  MMCX JACK, VERTICAL PCB/SMT 50 OHMS MMCX-J/PCB  PRODUCT CUSTOMER DRAWING							
$\nabla_C = 0$	GENERAL TOLERANCES (UNLESS SPECIFIED)									
$\nabla_P = 0$	ANGULAR TOL $\pm 2.0^\circ$									
DIVISIONAL SYMBOLS	4 PLACES	$\pm$	EC NO: 740907	2023/03/02	DRWN: JSU18 CHK'D: YCHENG APPR: YCHENG  INITIAL REVISION: DRWN: TFLAHERTY APPR: JWIENER					
	3 PLACES	$\pm$	2023/03/16							
	2 PLACES	$\pm$	2023/03/16							
	1 PLACE	$\pm$	2006/02/09		DOCUMENT NUMBER	DOC TYPE	DOC PART	REVISION	SD-73415-206 PSD 001 B2	
	0 PLACES	$\pm$	2006/02/09		MATERIAL NUMBER	CUSTOMER	SHEET NUMBER			
DRAFT WHERE APPLICABLE MUST REMAIN WITHIN DIMENSIONS			THIRD ANGLE PROJECTION	DRAWING	SERIES	GENERAL MARKET		3 OF 5		

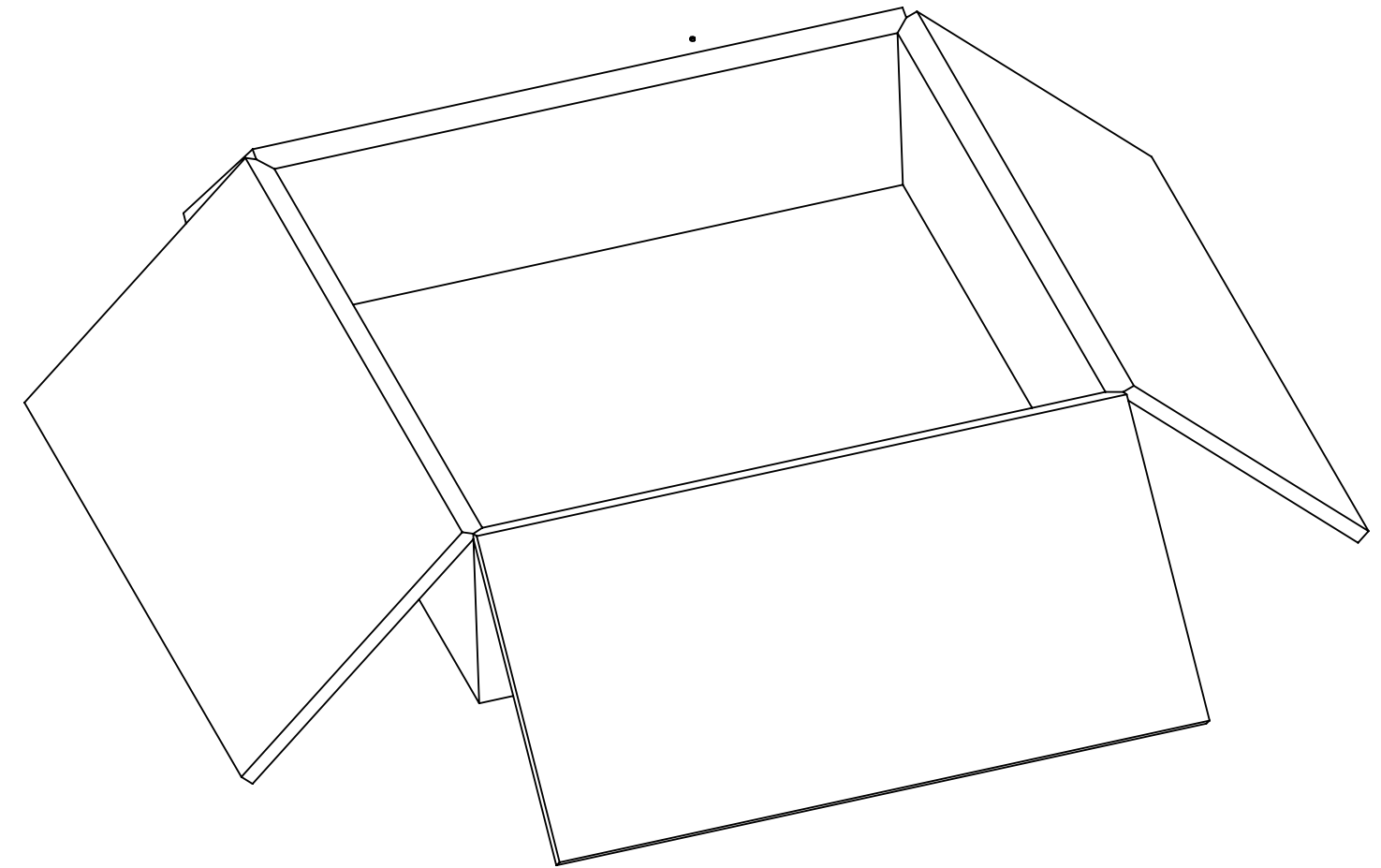
DOCUMENT STATUS	P1	RELEASE DATE	2023/03/16	04:28:02
-----------------	----	--------------	------------	----------



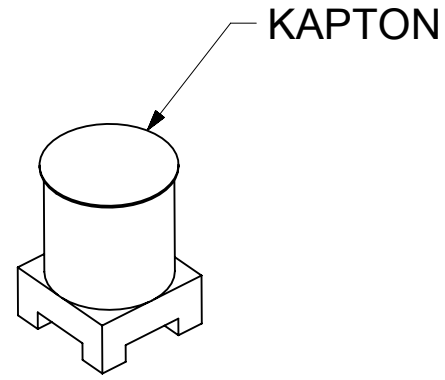
PART NO. 73415-2065



1600 SET PER 13" REEL



8000 CONNECTORS PER  
OUTER CARTON BOX  
339 X 339 X 100 REF.

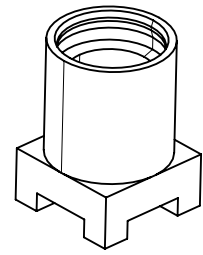


KAPTON

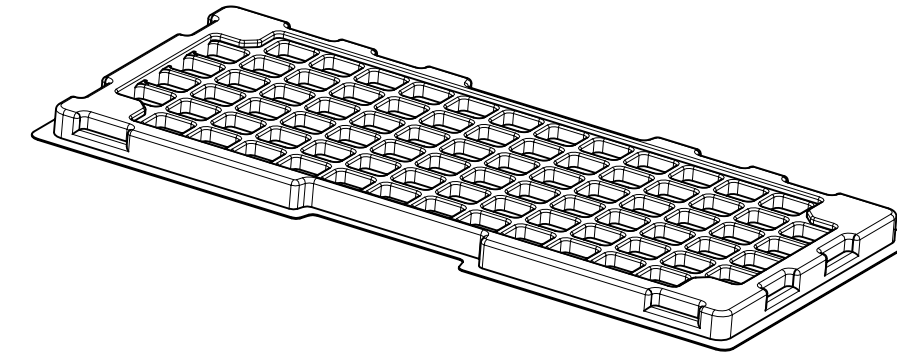
PART NO 73415-2062  
PART NO 73415-2063

FUNCTIONAL SYMBOLS	THIS DRAWING CONTAINS INFORMATION THAT IS PROPRIETARY TO MOLEX ELECTRONIC TECHNOLOGIES, LLC AND SHOULD NOT BE USED WITHOUT WRITTEN PERMISSION										
	DIMENSION UNITS	SCALE	CURRENT REV DESC: EWR # 15708-A : ADDED PACKAGING SPEC FOR -2060 & -2061 PART NO							<b>molex</b>	
$\frac{F}{A} = 0$	MM/INCH	NTS									
$\frac{F}{C} = 0$	GENERAL TOLERANCES (UNLESS SPECIFIED)									PRODUCT CUSTOMER DRAWING	
$\frac{F}{P} = 0$	ANGULAR TOL $\pm 2.0^\circ$										
DIVISIONAL SYMBOLS	4 PLACES	$\pm$	EC NO: 740907				2023/03/02		DOC TYPE PSD		
	3 PLACES	$\pm$	DRWN: JSU18				2023/03/16				DOC PART 001
	2 PLACES	$\pm$	CHK'D: YCHENG				2023/03/16		REVISION <b>B2</b>		
	1 PLACE	$\pm$	APPR: YCHENG								SHEET NUMBER 4 OF 5
	0 PLACES	$\pm$	INITIAL REVISION:						MATERIAL NUMBER GENERAL MARKET		
	DRAFT WHERE APPLICABLE MUST REMAIN WITHIN DIMENSIONS		THIRD ANGLE PROJECTION		DRAWING		SERIES				CUSTOMER GENERAL MARKET
					C-SIZE		73415				

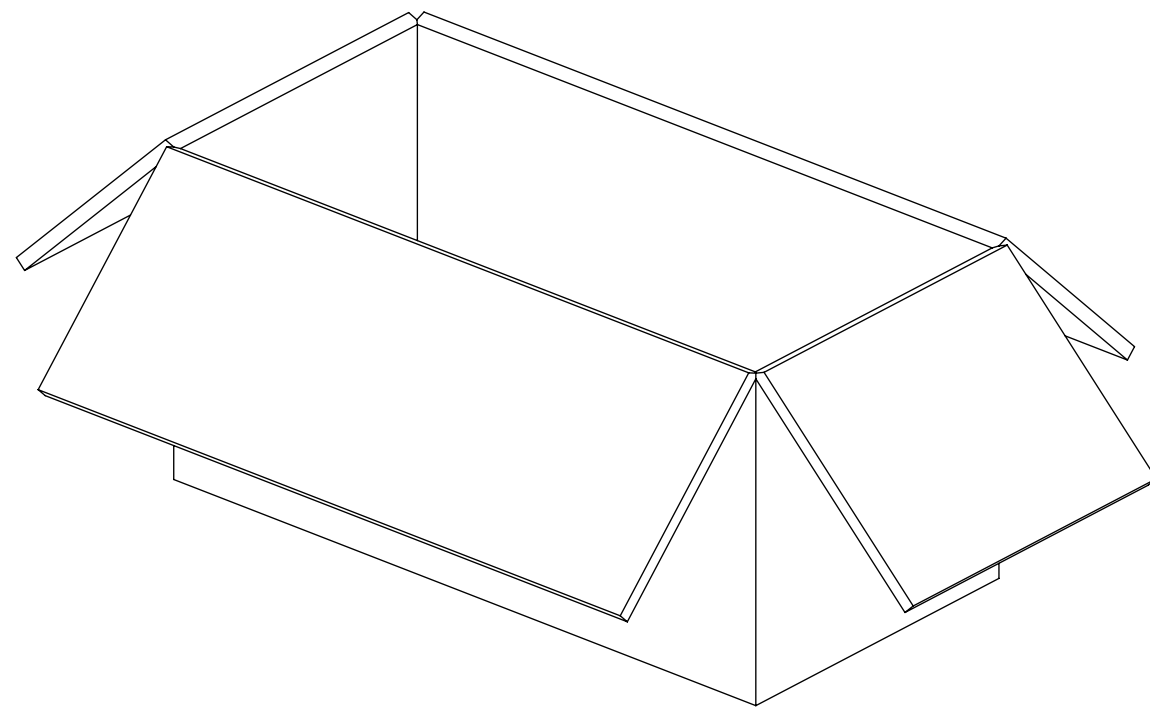
DOCUMENT STATUS	P1	RELEASE DATE	2023/03/16	04:28:02
-----------------	----	--------------	------------	----------



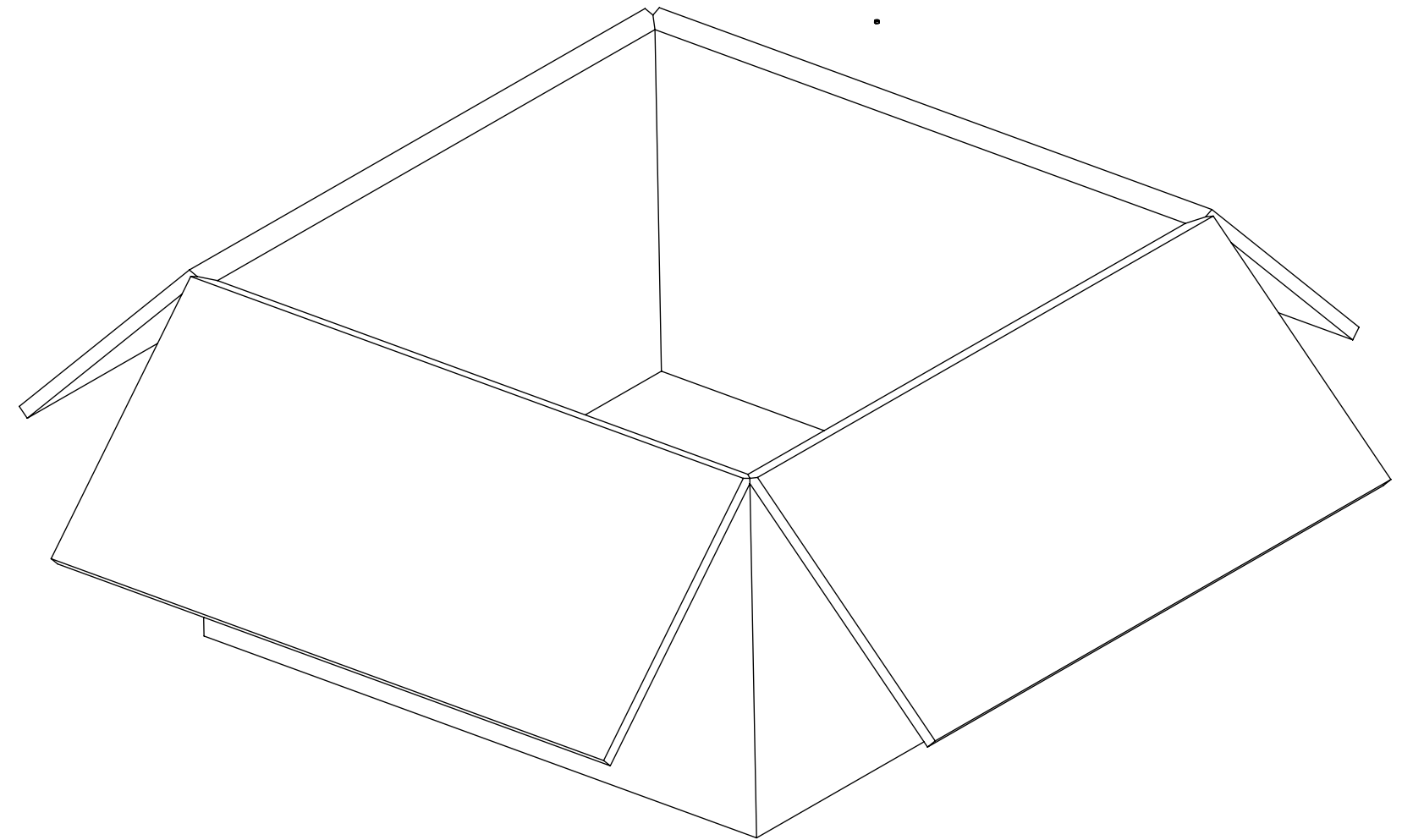
PART NO : 73415-2060  
PART NO : 73415-2061



80 SET PER TRAY  
P/N: 89707-0190



1600 SET PER INNER CARTON BOX  
P/N: 96707-0001



3200 SET PER OUTER CARTON BOX  
P/N: 96708-0005

FUNCTIONAL SYMBOLS	THIS DRAWING CONTAINS INFORMATION THAT IS PROPRIETARY TO MOLEX ELECTRONIC TECHNOLOGIES, LLC AND SHOULD NOT BE USED WITHOUT WRITTEN PERMISSION																	
	DIMENSION UNITS	SCALE	CURRENT REV DESC: EWR # 15708-A : ADDED PACKAGING SPEC FOR -2060 & -2061 PART NO								<b>molex</b>							
$\frac{F}{A} = 0$	MM/INCH	NTS	GENERAL TOLERANCES (UNLESS SPECIFIED)		EC NO: 740907			2023/03/02										
$\frac{F}{C} = 0$			ANGULAR TOL $\pm 2.0^\circ$			DRWN: JSU18			2023/03/16									
$\frac{F}{P} = 0$			4 PLACES $\pm$			CHK'D: YCHENG			2023/03/16									
DIVISIONAL SYMBOLS			3 PLACES $\pm$			APPR: YCHENG			INITIAL REVISION:									
			2 PLACES $\pm$			DRWN: TFLAHERTY			2006/02/09									
			1 PLACE $\pm$			APPR: JWIENER			2006/02/09									
			0 PLACES $\pm$			DRAFT WHERE APPLICABLE MUST REMAIN WITHIN DIMENSIONS			THIRD ANGLE PROJECTION									
DOCUMENT NUMBER		DOC TYPE		DOC PART		REVISION		DRAWING			SERIES		MATERIAL NUMBER		CUSTOMER		SHEET NUMBER	
SD-73415-206		PSD		001		B2		C-SIZE		73415		GENERAL MARKET		5 OF 5				

DOCUMENT STATUS	P1	RELEASE DATE	2023/03/16	04:28:02
-----------------	----	--------------	------------	----------