

MATERIALS AND FINISHES:

SEE PSD-85305-0232

73415-6183	85305-0232, TAPE AND REEL WITH KAPTON TAPE	1K PER REEL	1K PER CARTON
73415-6182	85305-0232, TAPE AND REEL	1K PER REEL	1K PER CARTON
73415-6181	85305-0232, TAPE AND REEL WITH KAPTON TAPE	1K PER REEL	7K PER CARTON
73415-6180	85305-0232, ONE PER BAG	ONE PER BAG	500 PER CARTON
PART NO.	PACKAGING	QUANTITY	

A4	2019/11/26	ADD -6183 PER EWR #13478-A
REV	DATE	DESCRIPTION

THIS DRAWING CONTAINS INFORMATION THAT IS PROPRIETARY TO MOLEX ELECTRONIC TECHNOLOGIES, LLC AND SHOULD NOT BE USED WITHOUT WRITTEN PERMISSION

DIMENSION UNITS	SCALE	CURRENT REV DESC:		molex		
INCH/MM	NTS					
GENERAL TOLERANCES (UNLESS SPECIFIED)		EC NO: 628191		SMP, PLUG SMT LIMITED DETENT SMP-P/PCB		
ANGULAR TOL ± 2.0°		DRWN: RYEH 2019/11/26				
4 PLACES ±		CHK'D: YCHENG 2019/12/06		PRODUCT CUSTOMER DRAWING		
3 PLACES ±		APPR: YCHENG 2019/12/06				
2 PLACES ± 0.25		INITIAL REVISION:		DOCUMENT NUMBER SD-73415-618		
1 PLACE ±		DRWN: SSHAH 2007/05/11				
0 PLACES ±		APPR: JWIENER 2007/05/11		DOC TYPE PSD		
DRAFT WHERE APPLICABLE MUST REMAIN WITHIN DIMENSIONS		THIRD ANGLE PROJECTION				
		DRAWING		REVISION A4		
		SERIES				
		C-SIZE		MATERIAL NUMBER SEE TABLE		
		73415				

MATERIALS AND FINISHES:

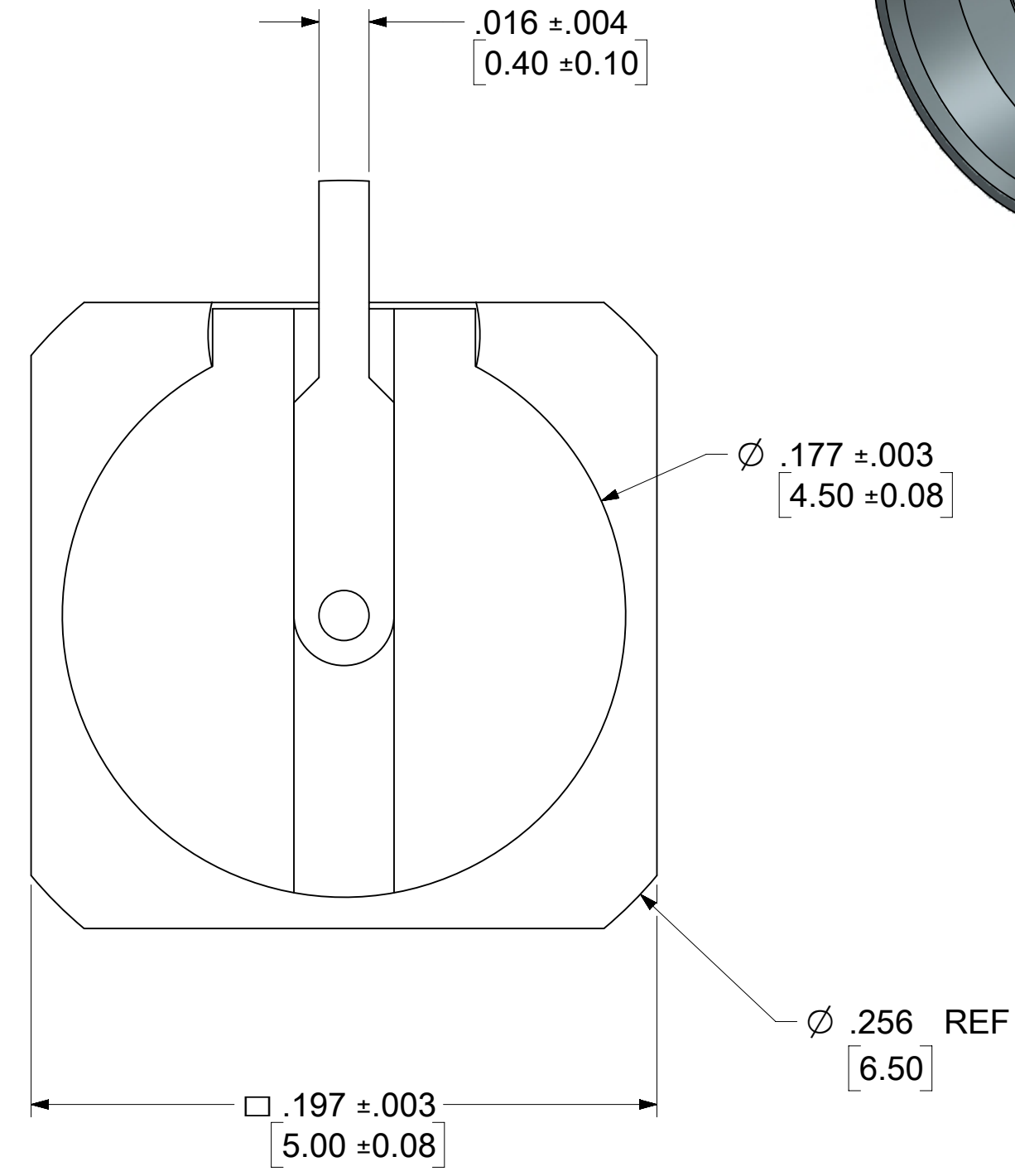
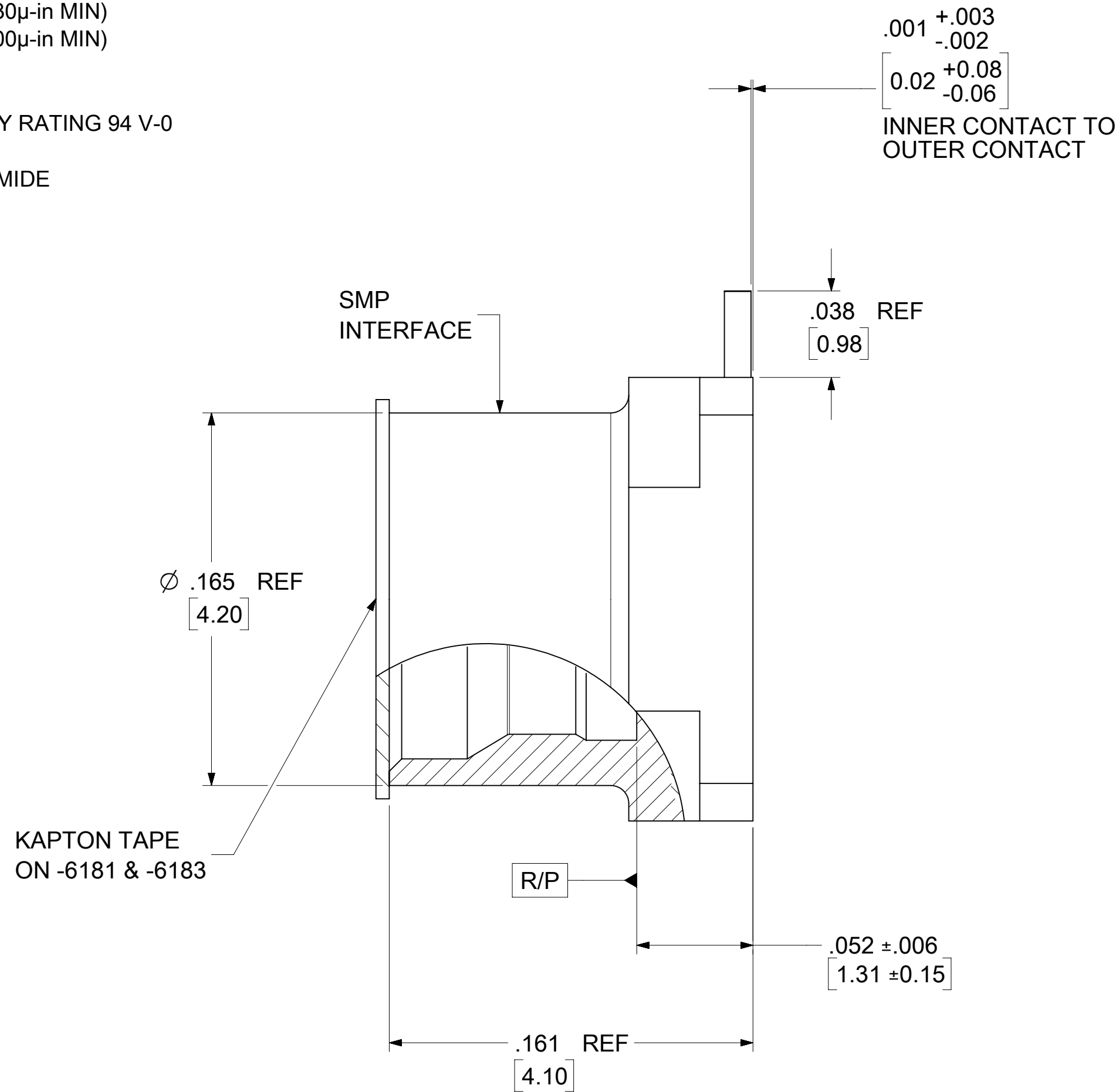
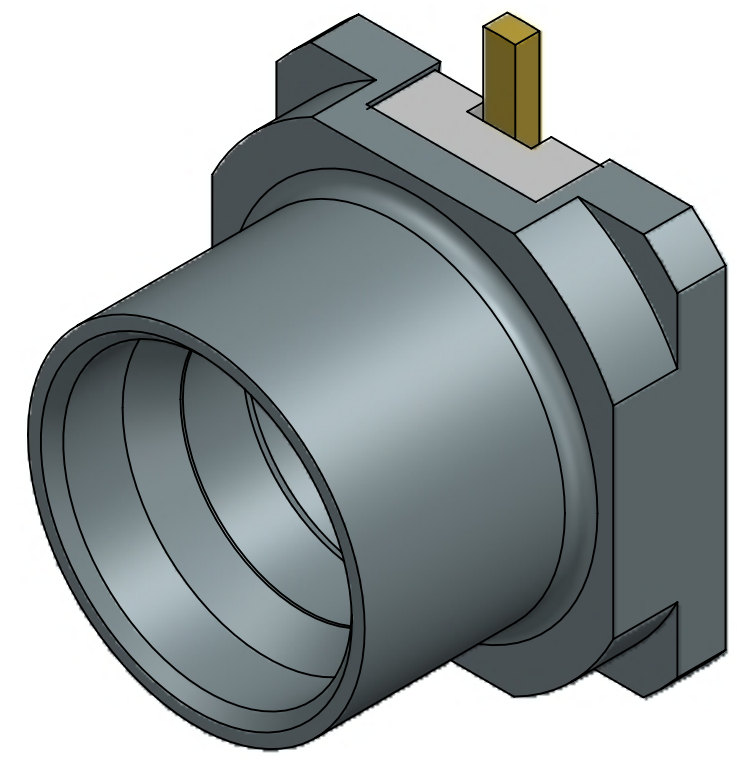
INNER & OUTER CONTACT: BRASS
 PLATED: GOLD (30μ-in MIN)
 OVER NICKEL (100μ-in MIN)

INSULATOR: LCP
 UL FLAMMABILITY RATING 94 V-0

KAPTON: POLYAMIDE
 COLOR: AMBER

TAPE: SHEET 3

REEL: SHEET 4



73415-6183	85305-0232, TAPE AND REEL WITH KAPTON TAPE	1K PER REEL	1K PER CARTON
73415-6182	85305-0232, TAPE AND REEL	1K PER REEL	1K PER CARTON
73415-6181	85305-0232, TAPE AND REEL WITH KAPTON TAPE	1K PER REEL	7K PER CARTON
73415-6180	85305-0232, ONE PER BAG	ONE PER BAG	500 PER CARTON
85305-0232	TAPE AND REEL	1K PER REEL	7K PER CARTON
PART NO.	PACKAGING	QUANTITY	

PS-89675-3320	PRODUCT SPECIFICATION
MIL-STD-248, FIG 326-3	INTERFACE, SMP, LIMITED DETENT
SPECIFICATION	DESCRIPTION

DOCUMENT STATUS	P1	RELEASE DATE	2023/02/06 04:17:23
-----------------	----	--------------	---------------------

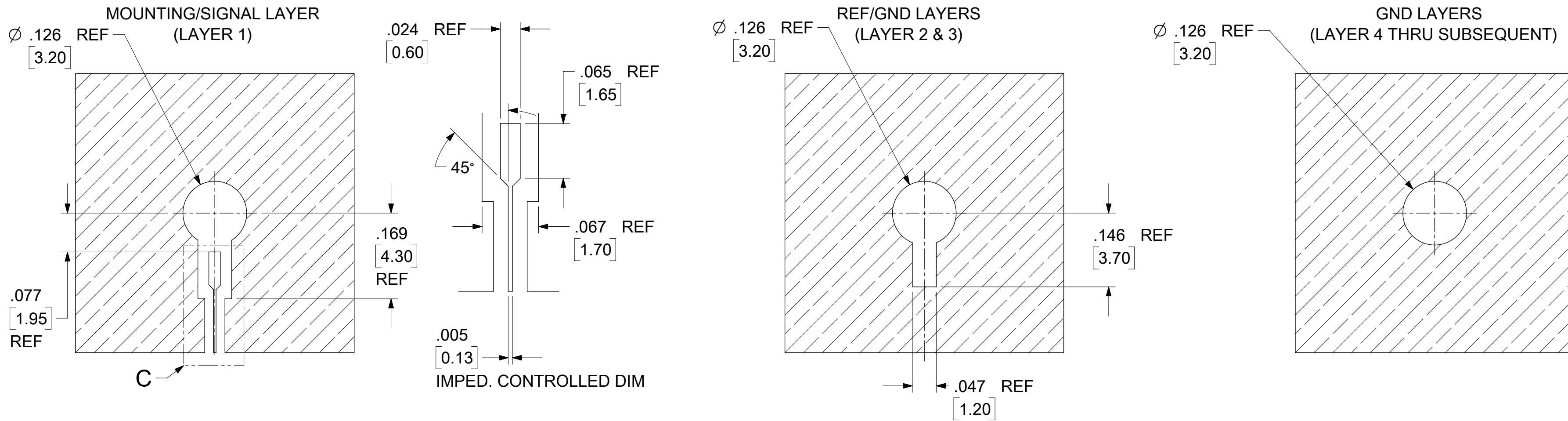
THIS DRAWING CONTAINS INFORMATION THAT IS PROPRIETARY TO MOLEX ELECTRONIC TECHNOLOGIES, LLC AND SHOULD NOT BE USED WITHOUT WRITTEN PERMISSION

DIMENSION UNITS	SCALE	CURRENT REV DESC: SHOW BOX SIZE AND QTY IN THE BOX PER EWR #15646-A	molex		
INCH/MM	NTS				
GENERAL TOLERANCES (UNLESS SPECIFIED)			SMP, PLUG SMT LIMITED DETENT SMP-P/PCB, EWR-11818		
	MM	INCH			
4 PLACES	±	±	PRODUCT CUSTOMER DRAWING		
3 PLACES	±	± 0.005			
2 PLACES	±	± 0.13 ± 0.01	DOCUMENT NUMBER: SD-85305-0232 DOC TYPE: PSD DOC PART: 001 REVISION: B18		
1 PLACE	±	± 0.25 ±			
0 PLACES	±	±	MATERIAL NUMBER: SEE TABLE CUSTOMER: SHEET NUMBER: 1 OF 5		
ANGULAR TOL	±	± 2.0 °			
DRAFT WHERE APPLICABLE MUST REMAIN WITHIN DIMENSIONS	THIRD ANGLE PROJECTION	DRAWING: C-SIZE	SERIES: 85305		

EC NO: 737089
 DRWN: RYEH 2023/01/19
 CHK'D: YCHENG 2023/02/06
 APPR: YCHENG 2023/02/06
 INITIAL REVISION:
 DRWN: AROBERTSON 2005/07/29
 APPR: JWIENER 2005/08/01

PCB CONNECTOR LAUNCH / PAD (FOR REFERENCE ONLY)

ALL HATCHED SURFACES SHOWN BELOW ARE COPPER (Cu)



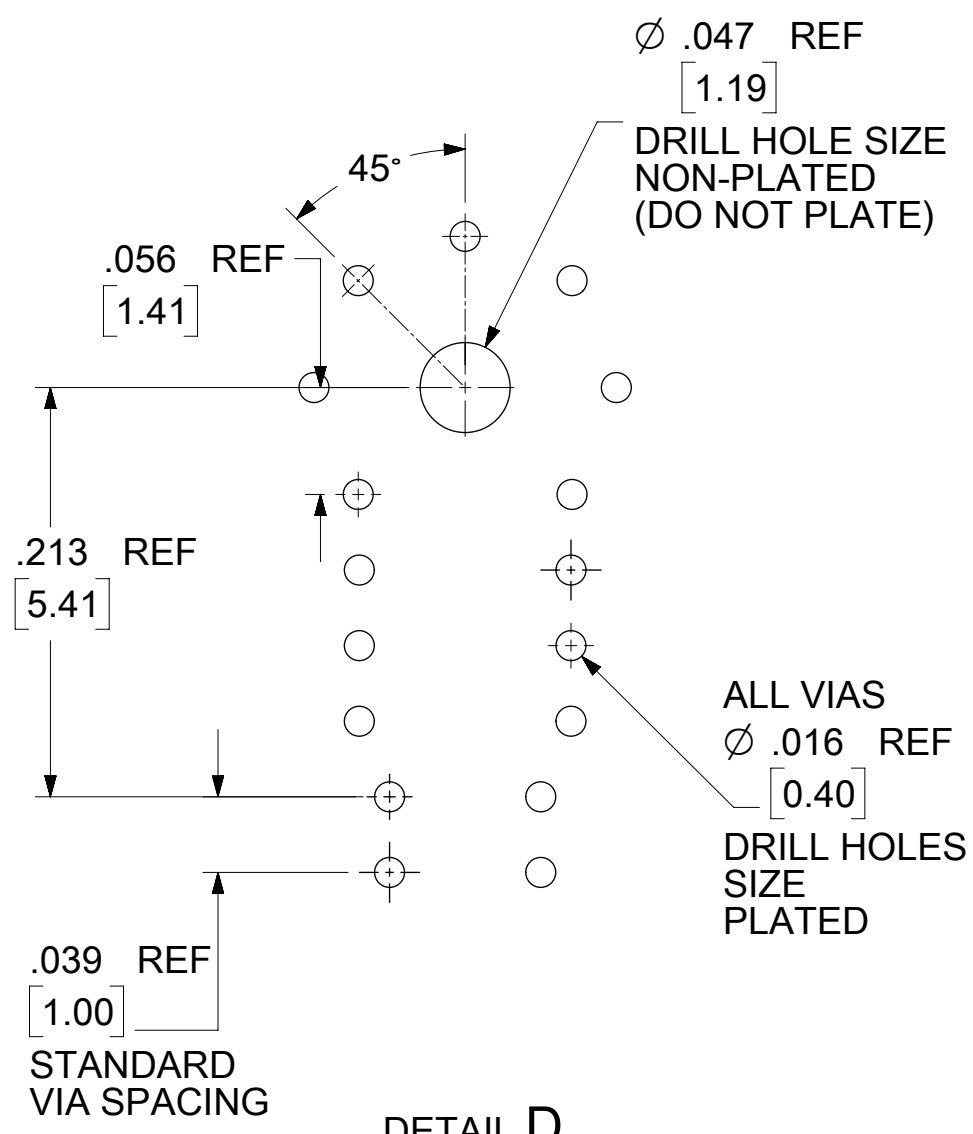
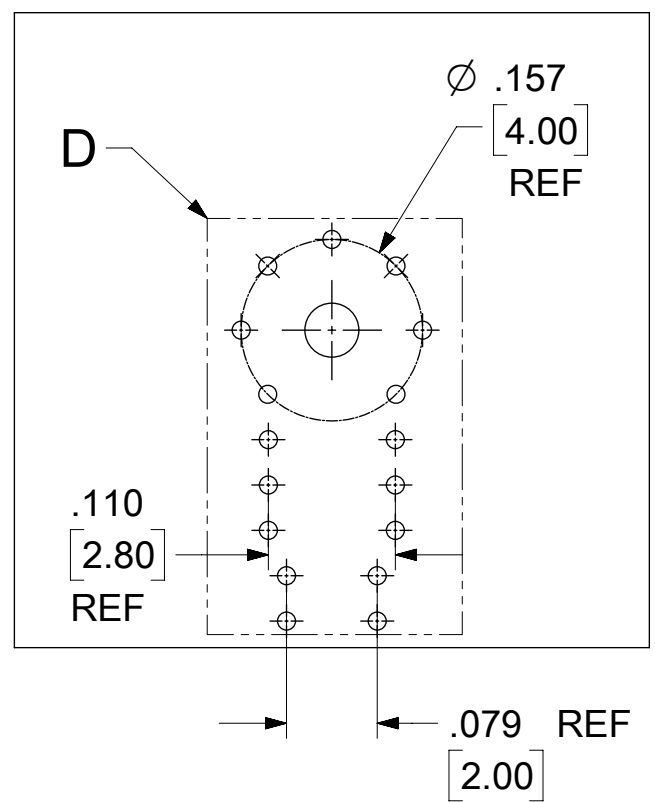
DETAIL C

PCB STACK UP

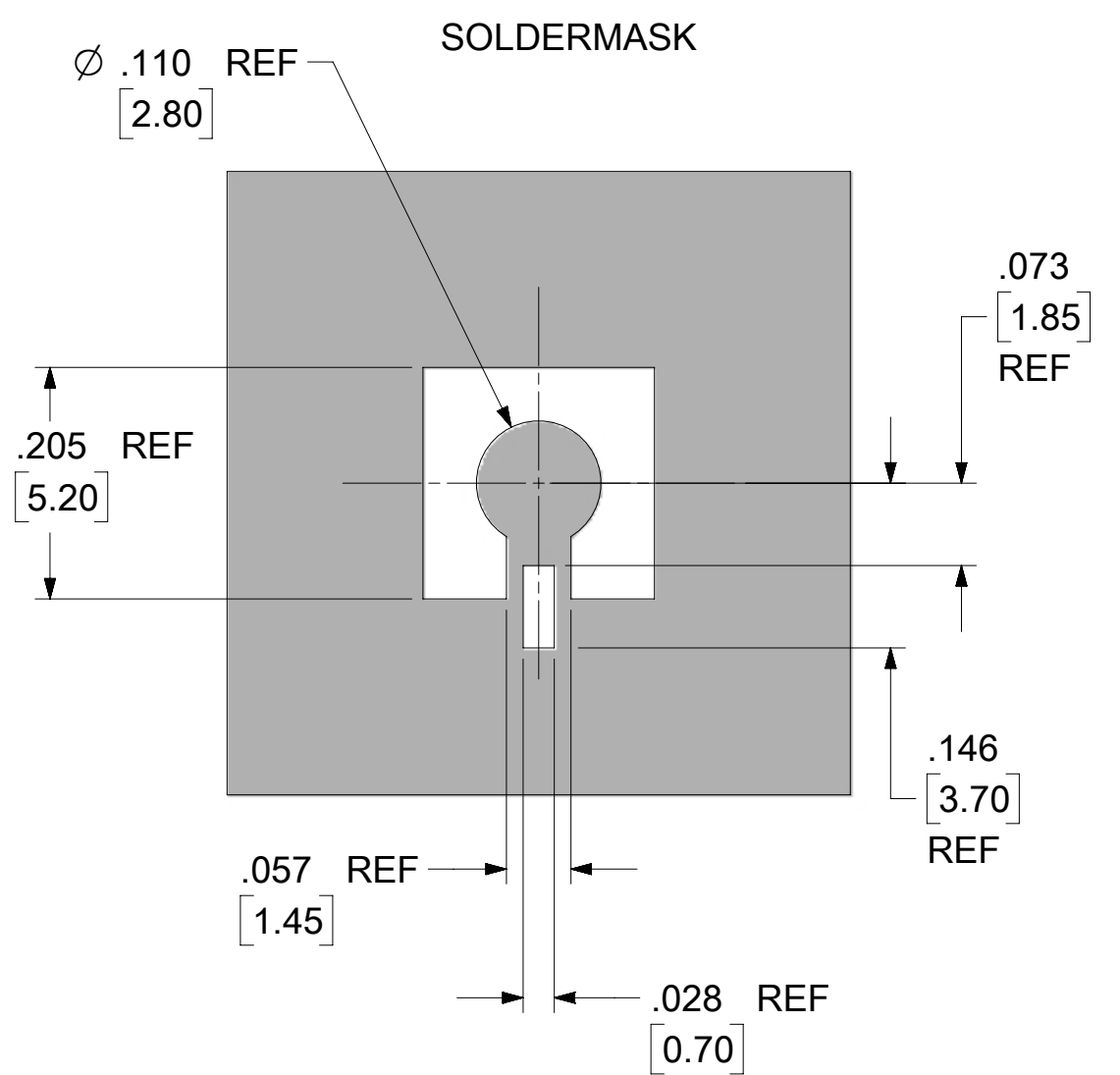
LAYER	MATERIAL	Dk	THICKNESS (MM)
1	1/2 oz. Cu + PLATING		0.0434
	ISOLA FR408	3.67	0.07
2	1/2 oz. Cu		0.018
	ISOLA FR408	3.67	0.1464
3	1/2 oz. Cu		0.018
	ISOLA FR408	3.67	0.6784
4*	1/2 oz. Cu		0.018

* SUBSEQUENT LAYERS MAY BE ADDED AS REQUIRED FOR INDIVIDUAL APPLICATIONS

VIAS AND THRU HOLES



DETAIL D



TYPICAL PERFORMANCE CHARACTERISTICS WITH CONNECTOR AND PCB LAUNCH SHOWN

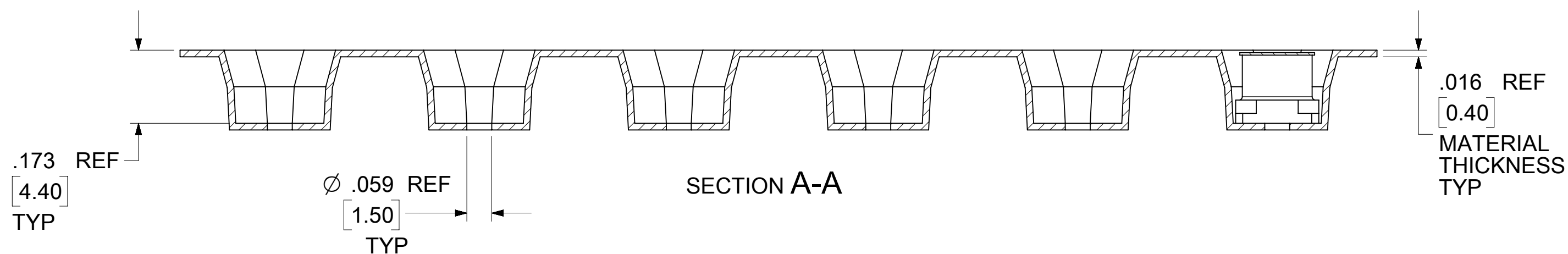
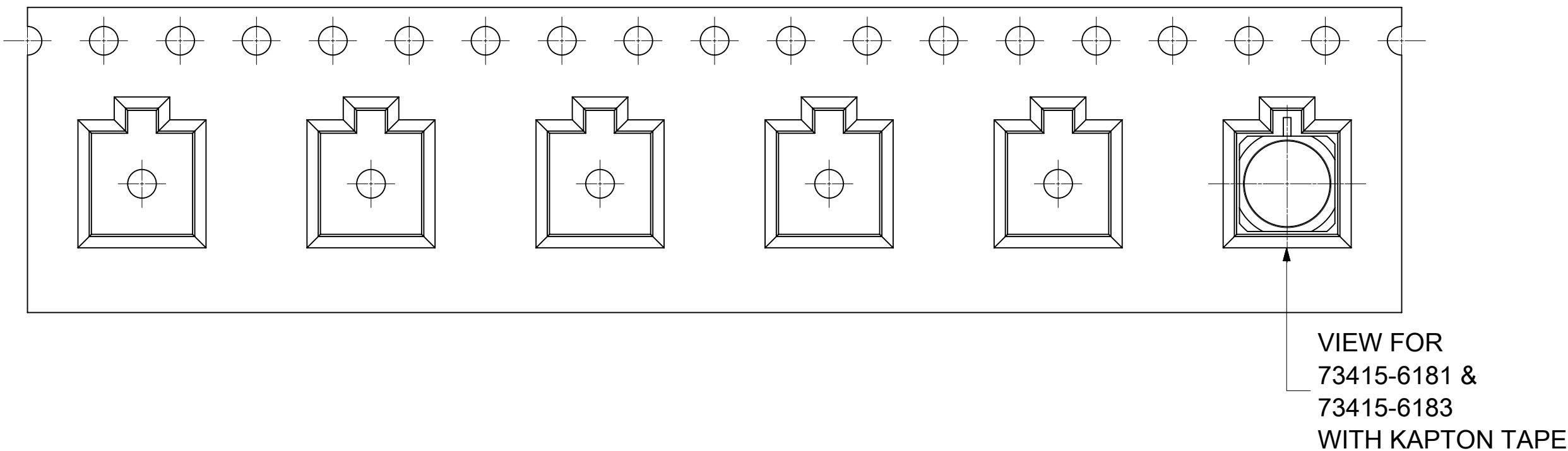
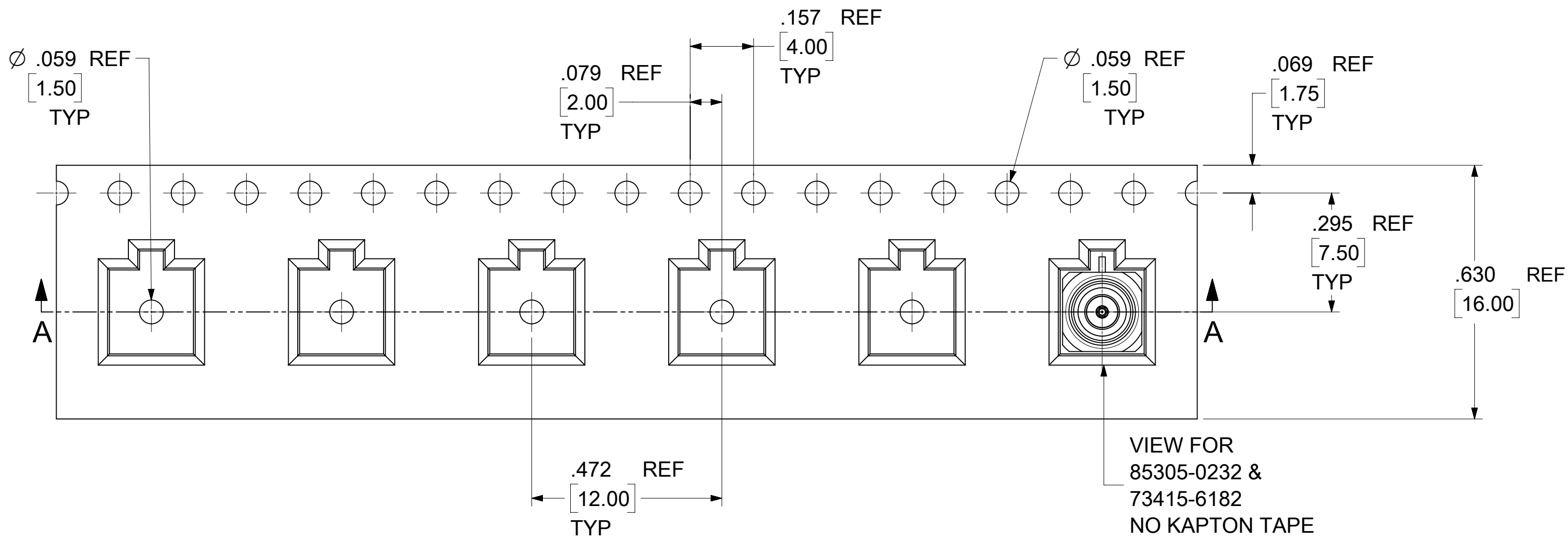
Typical Return Loss	FREQUENCY BAND
20dB	DC TO 18GHz

VARYING PCB STACKUPS AND PCB LAUNCH WILL RESULT IN VARYING RESULTS

CONTACT MOLEX RF / MICROWAVE FOR APPLICATION SPECIFIC ASSISTANCE

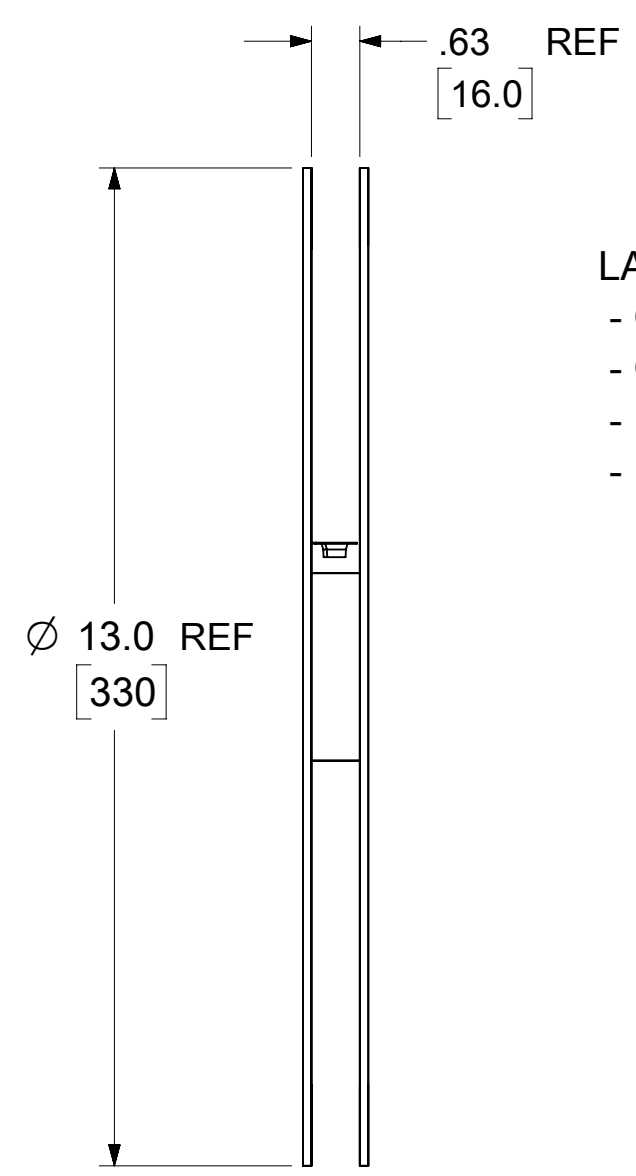
THIS DRAWING CONTAINS INFORMATION THAT IS PROPRIETARY TO MOLEX ELECTRONIC TECHNOLOGIES, LLC AND SHOULD NOT BE USED WITHOUT WRITTEN PERMISSION

DIMENSION UNITS INCH/MM	SCALE NTS	CURRENT REV DESC: SHOW BOX SIZE AND QTY IN THE BOX PER EWR #15646-A	molex		
GENERAL TOLERANCES (UNLESS SPECIFIED)					
4 PLACES	±	±	SMP, PLUG SMT LIMITED DETENT SMP-P/PCB, EWR-11818		
3 PLACES	±	± 0.005	PRODUCT CUSTOMER DRAWING		
2 PLACES	± 0.13	± 0.01	DOCUMENT NUMBER		
1 PLACE	± 0.25	±	SD-85305-0232		
0 PLACES	±	±	DOC TYPE DOC PART REVISION		
ANGULAR TOL	± 2.0 °		PSD 001 B18		
DRAFT WHERE APPLICABLE MUST REMAIN WITHIN DIMENSIONS	THIRD ANGLE PROJECTION	DRAWING	SERIES	MATERIAL NUMBER	CUSTOMER
		C-SIZE	85305	SEE TABLE	
					SHEET NUMBER
					2 OF 5



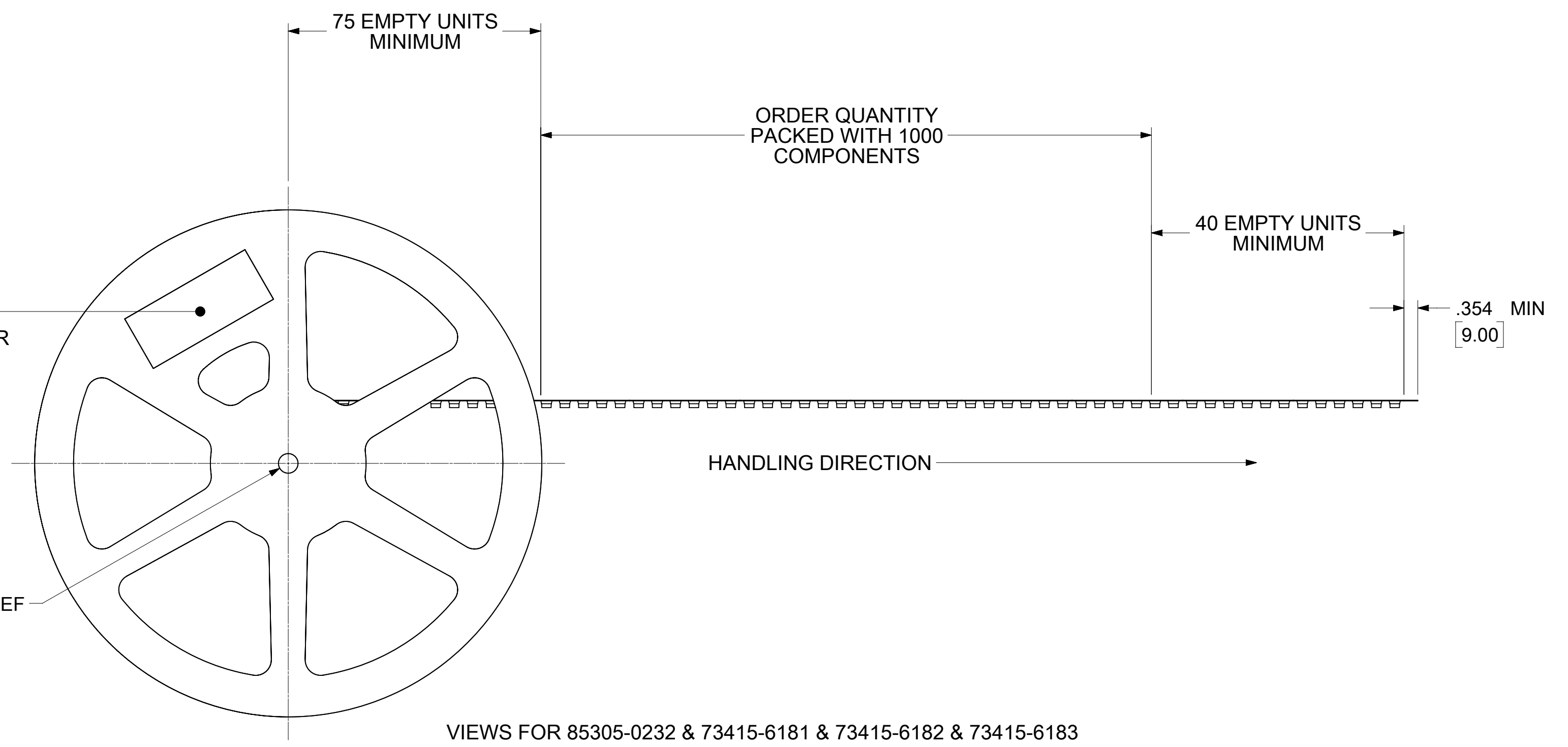
THIS DRAWING CONTAINS INFORMATION THAT IS PROPRIETARY TO MOLEX ELECTRONIC TECHNOLOGIES, LLC AND SHOULD NOT BE USED WITHOUT WRITTEN PERMISSION

DIMENSION UNITS INCH/MM		SCALE NTS		CURRENT REV DESC: SHOW BOX SIZE AND QTY IN THE BOX PER EWR #15646-A		molex				
GENERAL TOLERANCES (UNLESS SPECIFIED)				EC NO: 737089						SMP, PLUG SMT LIMITED DETENT SMP-P/PCB, EWR-11818
4 PLACES	±		±	DRWN: RYEH	2023/01/19	PRODUCT CUSTOMER DRAWING				
3 PLACES	±		± 0.005	CHK'D: YCHENG	2023/02/06	DOCUMENT NUMBER				
2 PLACES	±	0.13	± 0.01	APPR: YCHENG	2023/02/06	SD-85305-0232				
1 PLACE	±	0.25	±	INITIAL REVISION:		DOC TYPE DOC PART REVISION				
0 PLACES	±		±	DRWN: AROBERTSON	2005/07/29	PSD 001 B18				
ANGULAR TOL ± 2.0°				APPR: JWIENER	2005/08/01	SHEET NUMBER				
DRAFT WHERE APPLICABLE MUST REMAIN WITHIN DIMENSIONS				THIRD ANGLE PROJECTION	DRAWING	SERIES	MATERIAL NUMBER		CUSTOMER	SHEET NUMBER
					C-SIZE	85305	SEE TABLE			3 OF 5

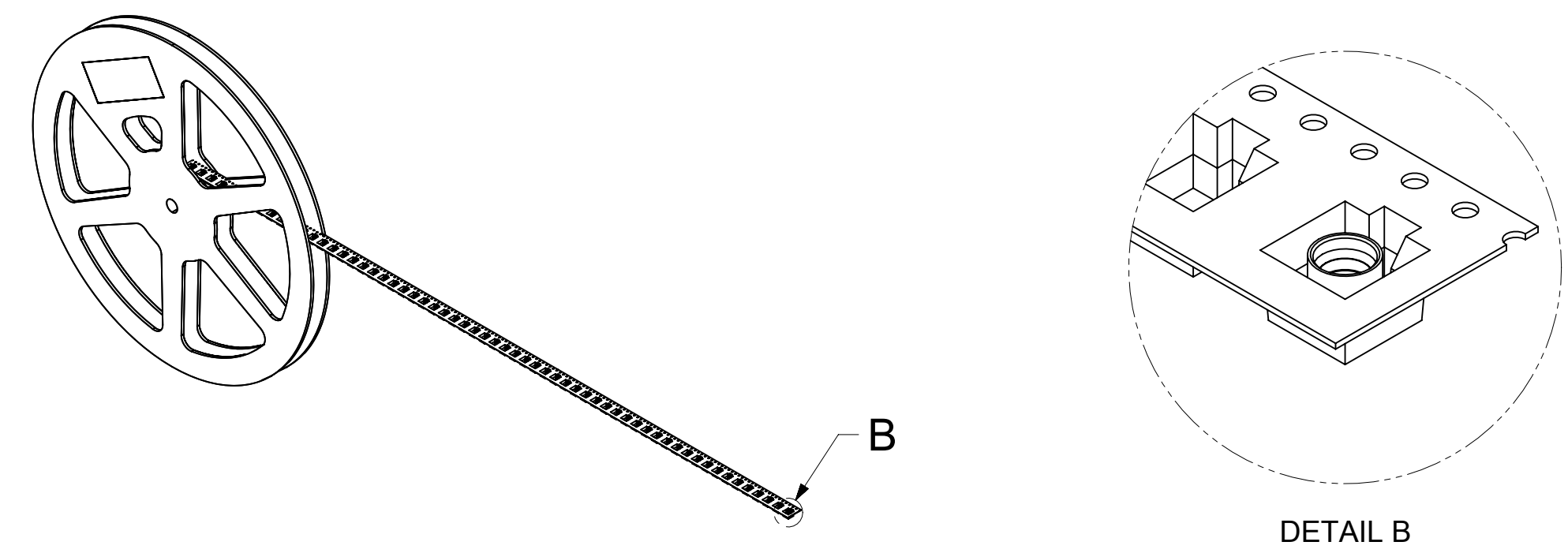


LABEL:
 - ORDER NO.
 - QUANTITY
 - PART NUMBER
 - LOT NUMBER

Ø .502 REF
 [12.75]

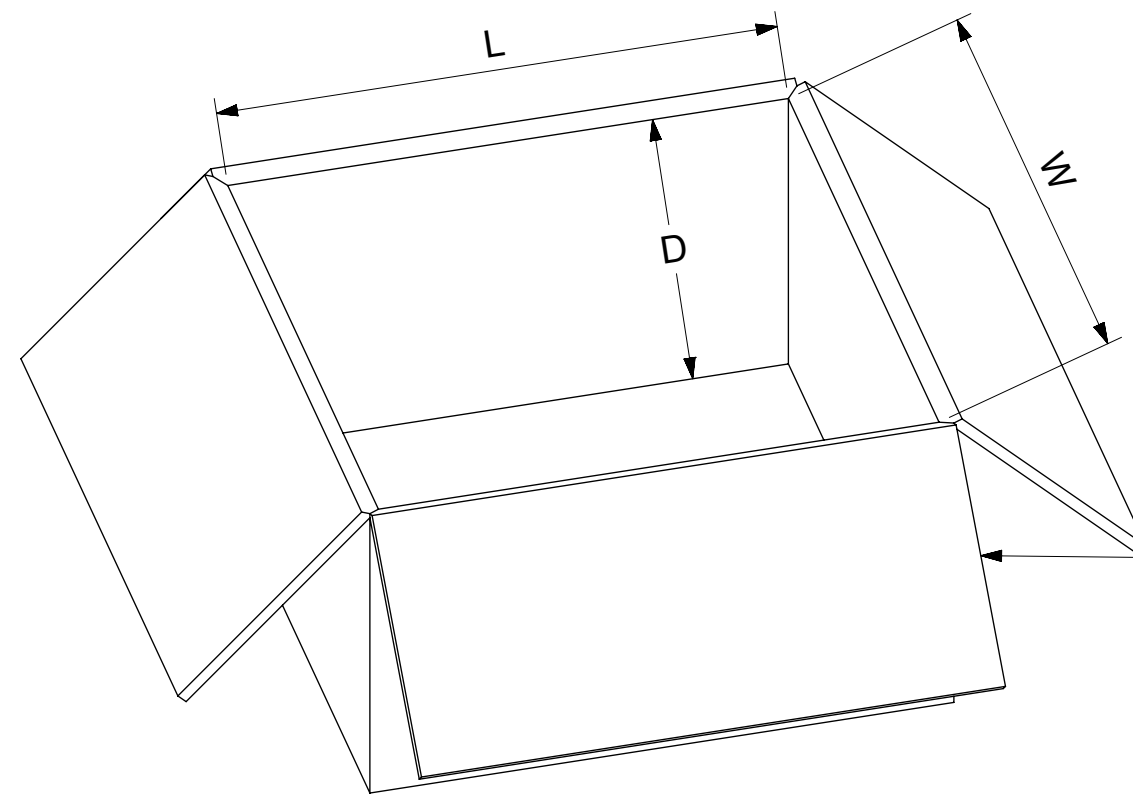


VIEWS FOR 85305-0232 & 73415-6181 & 73415-6182 & 73415-6183



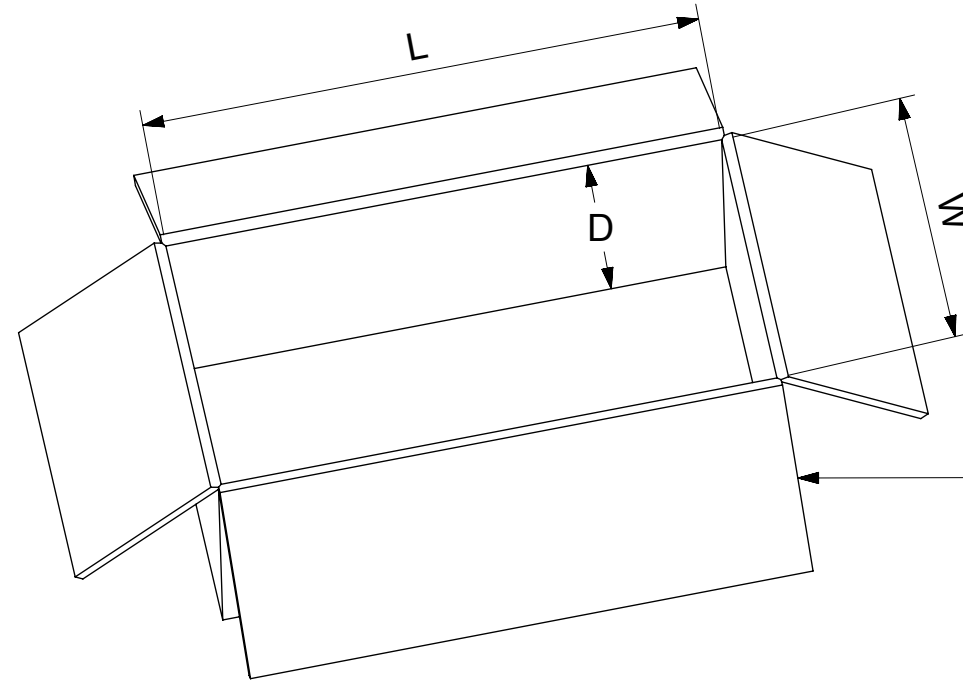
THIS DRAWING CONTAINS INFORMATION THAT IS PROPRIETARY TO MOLEX ELECTRONIC TECHNOLOGIES, LLC AND SHOULD NOT BE USED WITHOUT WRITTEN PERMISSION										
DIMENSION UNITS INCH/MM		SCALE NTS		CURRENT REV DESC: SHOW BOX SIZE AND QTY IN THE BOX PER EWR #15646-A			molex			
GENERAL TOLERANCES (UNLESS SPECIFIED)				EC NO: 737089						SMP, PLUG SMT LIMITED DETENT SMP-P/PCB, EWR-11818
4 PLACES		±	±	DRWN: RYEH 2023/01/19			PRODUCT CUSTOMER DRAWING			
3 PLACES		±	± 0.005	CHK'D: YCHENG 2023/02/06			DOCUMENT NUMBER			
2 PLACES		± 0.13	± 0.01	APPR: YCHENG 2023/02/06			SD-85305-0232			
1 PLACE		± 0.25	±	INITIAL REVISION:			DOC TYPE			
0 PLACES		±	±	DRWN: AROBERTSON 2005/07/29			PSD			
ANGULAR TOL		± 2.0 °		APPR: JWIENER 2005/08/01			DOC PART			
DRAFT WHERE APPLICABLE MUST REMAIN WITHIN DIMENSIONS				THIRD ANGLE PROJECTION		DRAWING	SERIES	MATERIAL NUMBER		REVISION
				C-SIZE		C-SIZE	85305	CUSTOMER		1
								SEE TABLE		4 OF 5

DOCUMENT STATUS	P1	RELEASE DATE	2023/02/06	04:17:23
-----------------	----	--------------	------------	----------



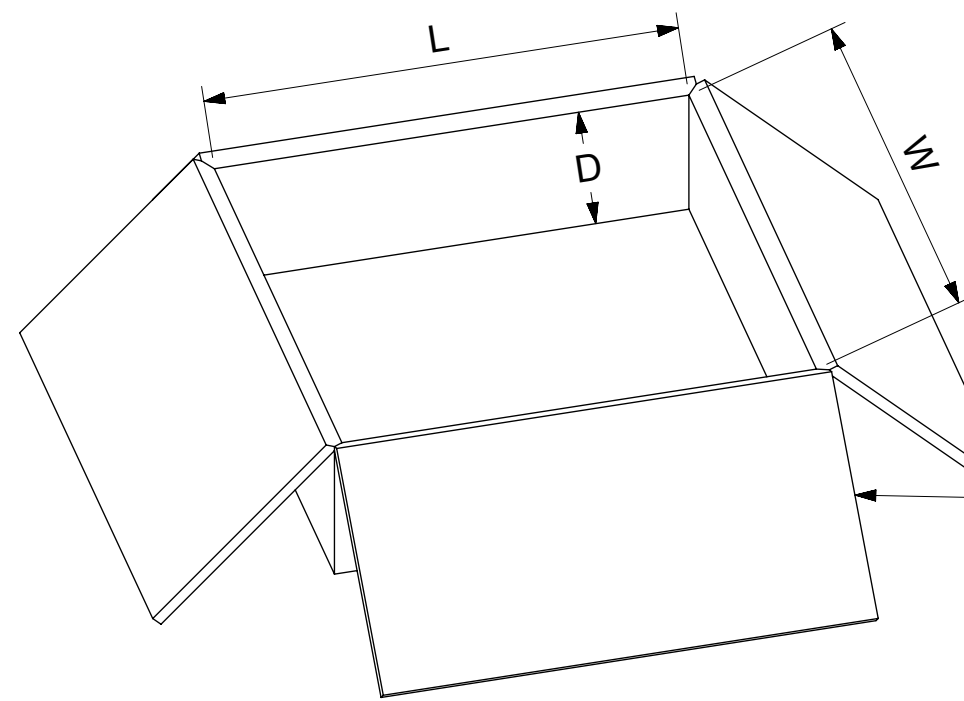
1K PCS PER REEL
 7 REELS PER CARTON
 7 X 1000 = 7K PCS
 MAXIMUM OUTSIDE SIZE (mm):
 L=393.94
 W=390.92
 D=211.89

VIEW FOR 85305-0232 & 73415-6181



1 PC PER BAG
 500 PCS PER CARTON
 MAXIMUM OUTSIDE SIZE (mm):
 L=571.94
 W=183.94
 D=191.87

VIEW FOR 73415-6180



1K PCS PER REEL
 1 REEL PER CARTON
 1 X 1000 = 1K PCS
 MAXIMUM OUTSIDE SIZE (mm):
 L=340
 W=340
 D=100

VIEW FOR 73415-6182 & 73415-6183

73415-6183	85305-0232, TAPE AND REEL WITH KAPTON TAPE	1K PER REEL	1K PER CARTON
73415-6182	85305-0232, TAPE AND REEL	1K PER REEL	1K PER CARTON
73415-6181	85305-0232, TAPE AND REEL WITH KAPTON TAPE	1K PER REEL	7K PER CARTON
73415-6180	85305-0232, ONE PER BAG	ONE PER BAG	500 PER CARTON
85305-0232	TAPE AND REEL	1K PER REEL	7K PER CARTON
PART NO.	PACKAGING	QUANTITY	

THIS DRAWING CONTAINS INFORMATION THAT IS PROPRIETARY TO MOLEX ELECTRONIC TECHNOLOGIES, LLC AND SHOULD NOT BE USED WITHOUT WRITTEN PERMISSION											
DIMENSION UNITS INCH/MM		SCALE NTS		CURRENT REV DESC: SHOW BOX SIZE AND QTY IN THE BOX PER EWR #15646-A			molex				
GENERAL TOLERANCES (UNLESS SPECIFIED)				EC NO: 737089						SMP, PLUG SMT LIMITED DETENT SMP-P/PCB, EWR-11818	
4 PLACES	±		±	DRWN: RYEH			2023/01/19				
3 PLACES	±		± 0.005	CHK'D: YCHENG			2023/02/06				
2 PLACES	±	0.13	± 0.01	APPR: YCHENG			2023/02/06				
1 PLACE	±	0.25	±	INITIAL REVISION:			DOCUMENT NUMBER				
0 PLACES	±		±	DRWN: AROBERTSON			SD-85305-0232				
ANGULAR TOL		± 2.0 °		APPR: JWIENER			DOC TYPE		DOC PART	REVISION	
DRAFT WHERE APPLICABLE MUST REMAIN WITHIN DIMENSIONS		THIRD ANGLE PROJECTION		DRAWING		SERIES		MATERIAL NUMBER		CUSTOMER	SHEET NUMBER
				C-SIZE		85305		SEE TABLE			5 OF 5