

**DESIGNED & DIMENSIONED
IN MILLIMETERS[INCHES]**

BNC7T-J-P-XX-RA-BH1

GENDER
-J: JACK

TYPE
-P: PCB

TERMINATION
-BH1: BULKHEAD THROUGH HOLE

ORIENTATION
-RA: RIGHT ANGLE

PLATING SPECIFICATION
-HN: HEAVY GOLD/NICKEL (SEE NOTES 5 & 6)
(SUB-BNC7T-J-P-HN-RA-BH1)
(BTNC-NUT-003-N)
(BTNC-LWAS-001-N)

-MN: MEDIUM GOLD/NICKEL (SEE NOTES 5 & 6)
(SUB-BNC7T-J-P-MN-RA-BH1)
(BTNC-NUT-003-N)
(BTNC-LWAS-001-N)

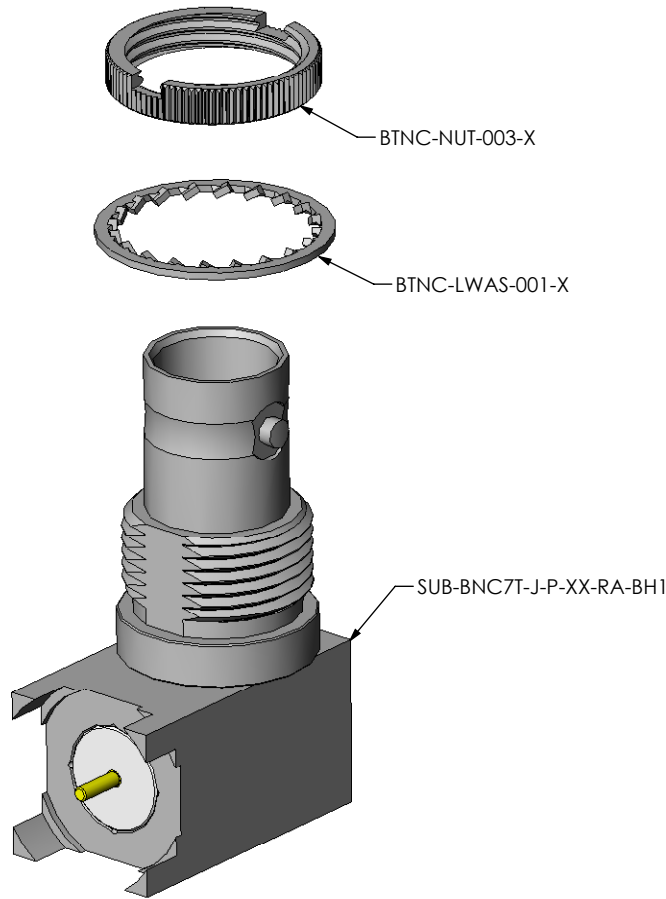
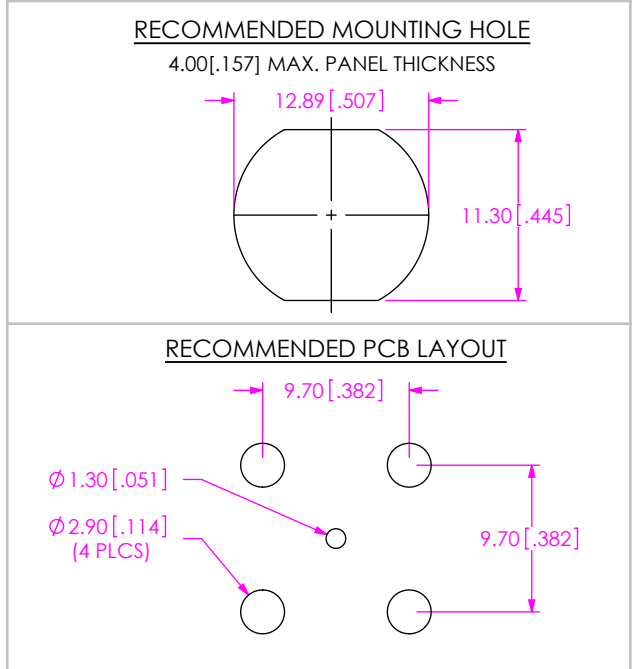


FIG.1
BNC7T-J-P-XX-RA-BH1 SHOWN

- NOTES:
- ⊕ REPRESENTS A CRITICAL DIMENSION.
 - FABRICATED PARTS MUST BE FREE OF SCRATCHES, TOOL MARKS, ETC.
 - SUPPLIER TO REMOVE BURRS.
 - RoHS COMPLIANT.
 - COMPONENT PLATING DESIGNATIONS:
-H: 0.000030" MIN. GOLD OVER 0.000050" MIN. NICKEL.
-M: 0.000010" MIN. GOLD OVER 0.000050" MIN. NICKEL.
-N: 0.000100" MIN. NICKEL.
 - ASSEMBLY PLATING DESIGNATIONS:
-HN: (CENTER CONTACT)-H
(OUTER CONTACT) -N
(REMAINING METAL PARTS) -N
-MN: (CENTER CONTACT)-M
(OUTER CONTACT) -N
(REMAINING METAL PARTS) -N



F:\DWG\MISC\MKTG\BNC7T-J-P-XX-RA-BH1-MKT.SLDDRW

**UNLESS OTHERWISE SPECIFIED
DIMENSIONS ARE IN MILLIMETERS**

TOLERANCES ARE:
DECIMALS ANGLES
.X: ±0.3 [0.1] 2°
.XX: ±0.13 [0.05]
.XXX: ±0.051 [0.020]

PROPRIETARY NOTE
THIS DOCUMENT CONTAINS INFORMATION
CONFIDENTIAL AND PROPRIETARY TO
SAMTEC, INC. AND SHALL NOT BE REPRODUCED
OR TRANSFERRED TO OTHER DOCUMENTS OR
DISCLOSED TO OTHERS OR USED FOR ANY
PURPOSE OTHER THAN THAT WHICH IT WAS
OBTAINED WITHOUT THE EXPRESSED WRITTEN
CONSENT OF SAMTEC, INC.

MATERIAL: DO NOT SCALE DRAWING SHEET SCALE: 2:1
SHELL,BODY,NUT,WASHER: BRASS
CONTACT: COPPER ALLOY
DIELECTRIC: PTFE

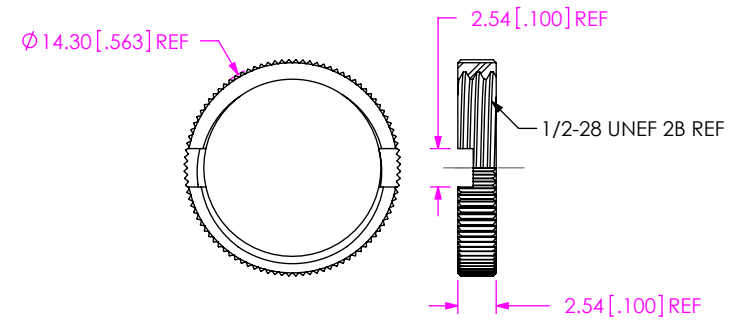
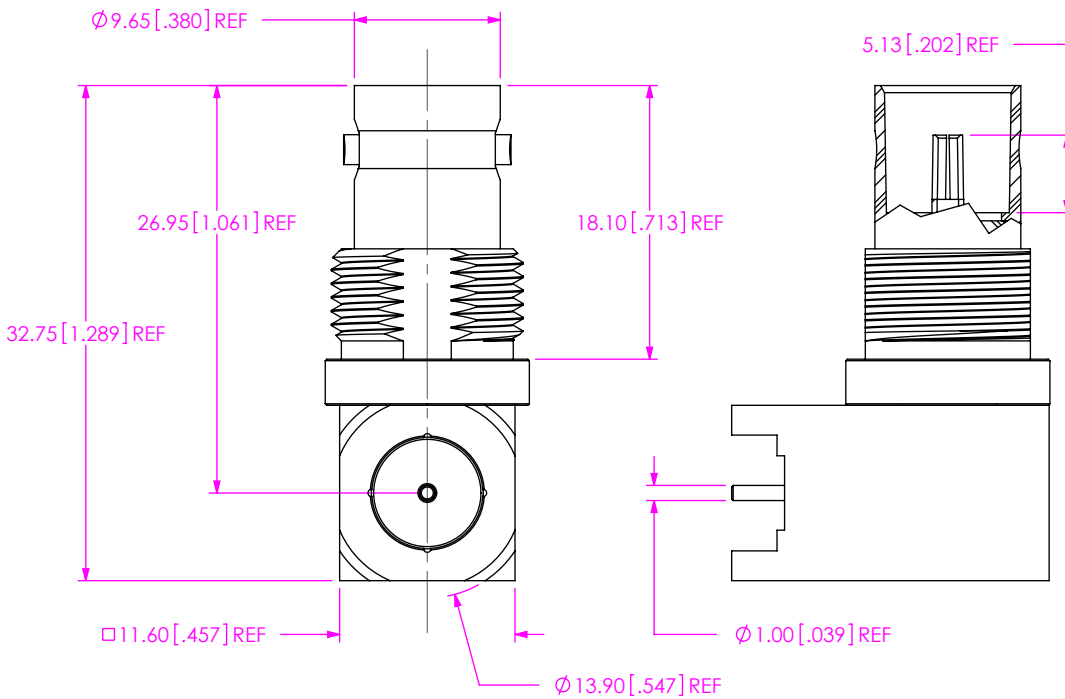
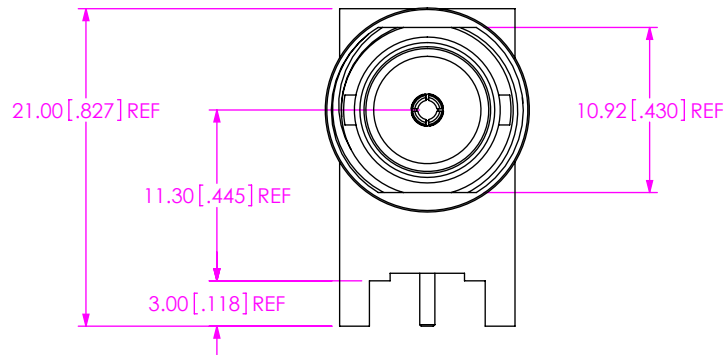
520 PARK EAST BLVD, NEW ALBANY, IN 47150
PHONE: 812-944-6733 FAX: 812-948-5047
e-Mail: info@SAMTEC.com code: 55322

DESCRIPTION:
TRUE 75 OHM RIGHT ANGLE JACK ASSEMBLY

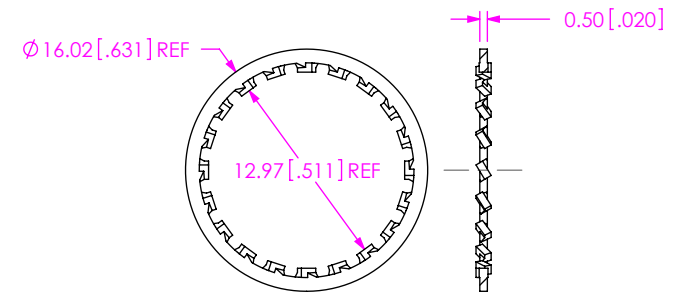
DWG. NO.
BNC7T-J-P-XX-RA-BH1

BY: G. HERMAN 04/21/2008 SHEET 1 OF 2





SAMTEC PART NUMBER	ITEM
BTNC-NUT-003-X	KNURLED NUT



SAMTEC PART NUMBER	ITEM
BTNC-LWAS-001-X	LOCKWASHER

F:\DWG\MISC\MKTG\BNC7T-J-P-XX-RA-BH1-MKT.SLDDRW

PROPRIETARY NOTE
 THIS DOCUMENT CONTAINS INFORMATION
 CONFIDENTIAL AND PROPRIETARY TO
 SAMTEC, INC. AND SHALL NOT BE REPRODUCED
 OR TRANSFERRED TO OTHER DOCUMENTS OR
 DISCLOSED TO OTHERS OR USED FOR ANY
 PURPOSE OTHER THAN THAT WHICH IT WAS
 OBTAINED WITHOUT THE EXPRESSED WRITTEN
 CONSENT OF SAMTEC, INC.

samtec
 520 PARK EAST BLVD, NEW ALBANY, IN 47150
 PHONE: 812-944-6733 FAX: 812-948-5047
 e-Mail: info@SAMTEC.com code: 55322

SAMTEC PART NUMBER	ITEM
SUB-BNC7T-J-P-XX-RA-BH1	SUB ASSEMBLY

DO NOT SCALE DRAWING

SHEET SCALE: 2:1

DESCRIPTION:
TRUE 75 OHM RIGHT ANGLE JACK ASSEMBLY

DWG. NO.
BNC7T-J-P-XX-RA-BH1

BY: G. HERMAN 04/21/2008 SHEET 2 OF 2