

# Customer Information Sheet

DRAWING No.: MI35X-XX    SHEET 2 OF 2    IF IN DOUBT - ASK    ©    NOT TO SCALE    THIRD ANGLE PROJECTION    ALL DIMENSIONS IN mm

Ø SPECIFICATIONS:

MATERIALS:

MOULDING = PA66 UL94V-2  
CONTACT = PHOSPHOR BRONZE

FINISH:

MI352-XX = 0.76µ GOLD OVER 1.2-2.5µ NICKEL  
MI353-XX = 5µ 100% TIN OVER 1.2-2.5µ NICKEL

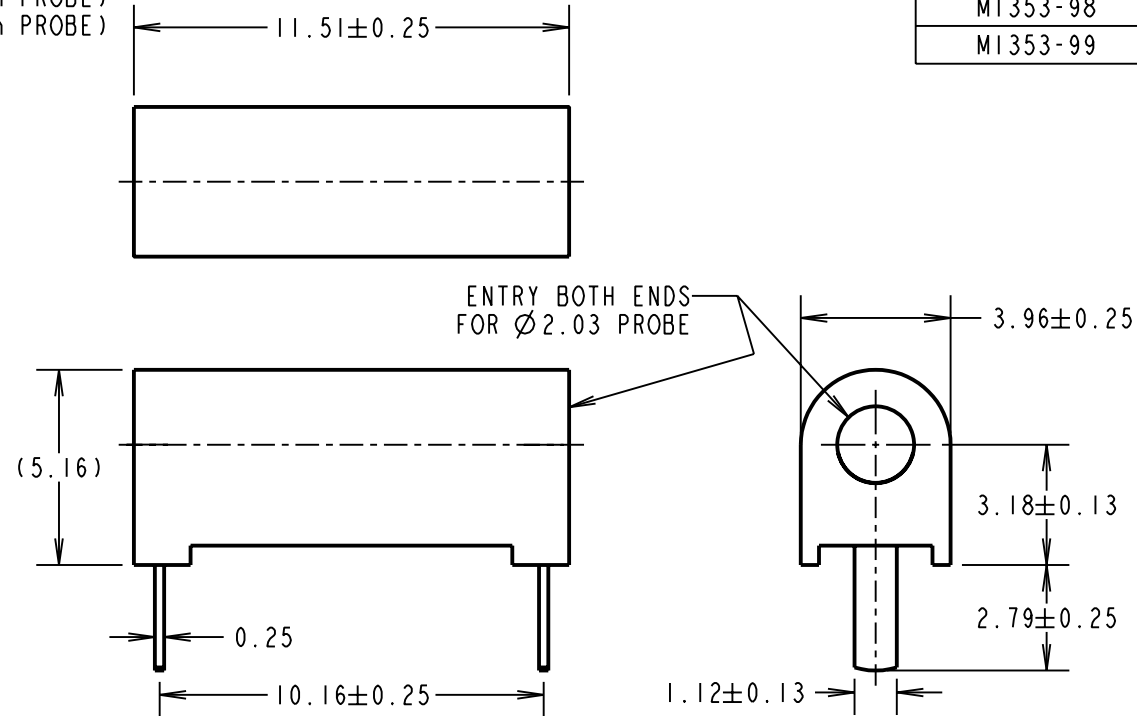
ELECTRICAL:

CURRENT RATING = 5 AMPS  
VOLTAGE RATING = 1,500 VRMS  
CONTACT RESISTANCE = 5mΩ MAX (GOLD)

MECHANICAL:

INSERTION FORCE = 22.2N MAX (Ø2.03mm PROBE)  
WITHDRAWAL FORCE = 2.2N MIN (Ø2.03mm PROBE)  
DURABILITY - 100 CYCLES

HARWIN PART No.	COLOUR	FINISH
MI352-94	WHITE	GOLD
MI352-98	BLACK	GOLD
MI352-99	RED	GOLD
MI353-94	WHITE	TIN
MI353-98	BLACK	TIN
MI353-99	RED	TIN



RA	4	25.11.09	10577
NAME	ISS.	DATE	C/NOTE
APPROVED:		R. ADDE	
CHECKED:		M.G. PLESTED	
DRAWN:		R. ADDE	
CUSTOMER REF.:			
ASSEMBLY DRG:			

**HARWIN**

HARWIN USA    HARWIN Europe (UK)    HARWIN Asia  
TEL: 603 893 5376    TEL: 023 9231 4545    TEL: +65 6 779 4909  
FAX: 603 893 5396    FAX: 023 9231 4590    FAX: +65 6 779 3868  
mis@harwin.com    mis@harwin.co.uk    mis@harwin.com.sg

THIS DRAWING AND ANY INFORMATION OR DESCRIPTIVE MATTER SET OUT HEREON ARE CONFIDENTIAL AND COPYRIGHT PROPERTY OF THE HARWIN GROUP AND MUST NOT BE DISCLOSED, LOANED, COPIED OR USED FOR MANUFACTURING, TENDERING OR FOR ANY OTHER PURPOSE WITHOUT THEIR WRITTEN PERMISSION.

TOLERANCES  
X. = ±1mm  
X.X = ±0.25mm  
X.XX = ±0.10mm  
X.XXX = ±0.01mm  
ANGLES = ±5°  
UNLESS STATED

MATERIAL: SEE ABOVE  
FINISH: SEE ABOVE  
S/AREA: mm<sup>2</sup>

TITLE: P.C. MOUNTED TEST JACK  
DRAWING NUMBER: MI35X-XX

SHT 2 OF 2