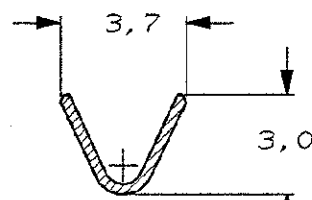
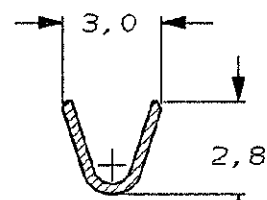
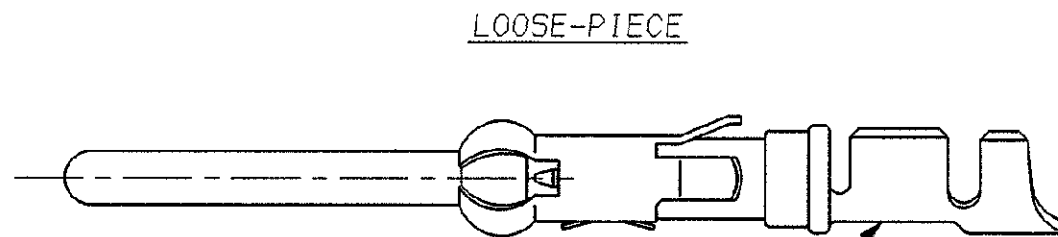
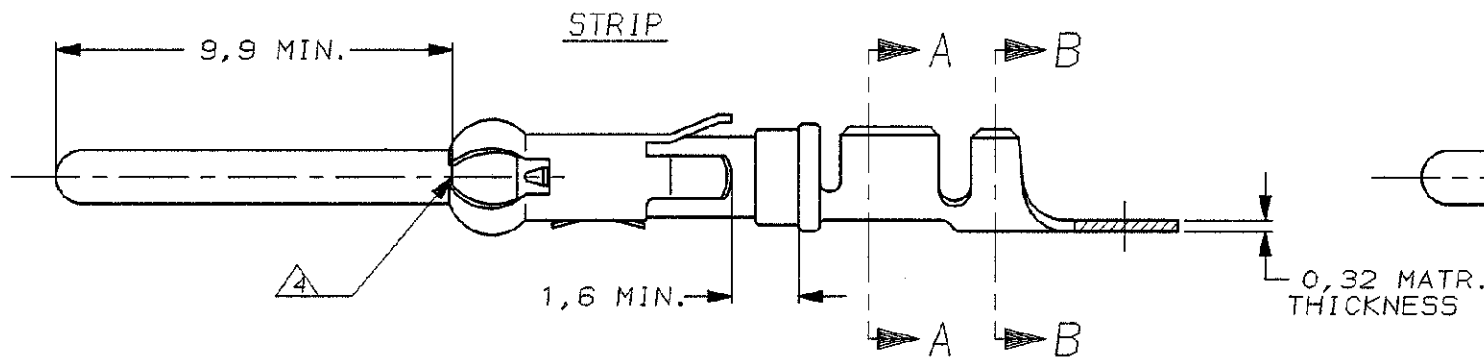
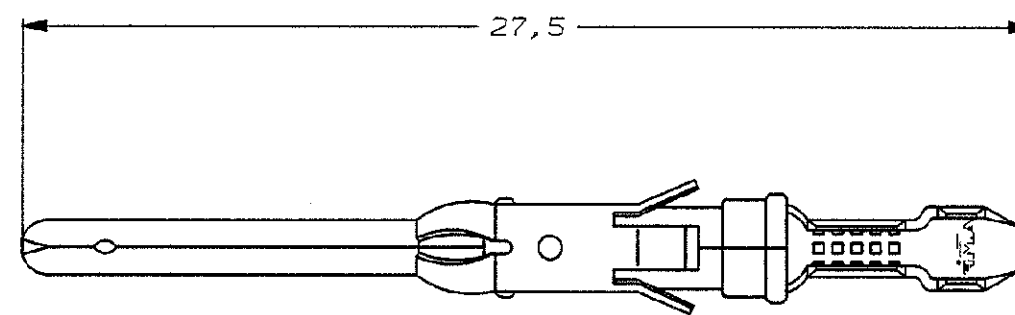
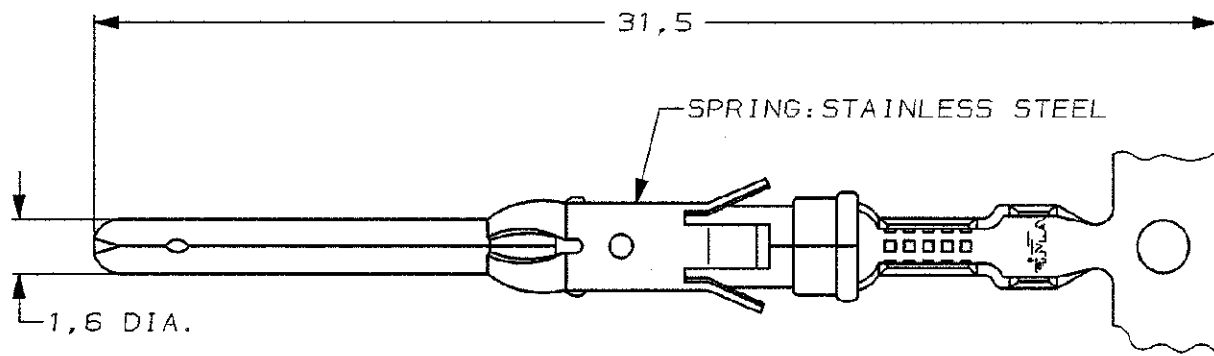


DO NOT SCALE

DIMENSIONS IN mm

METRIC

THIRD ANGLE
PROJECTION



WIRE RANGE : 0,75-1,50 mm² (18-16 AWG)
INSUL. RANGE : 2,0 -2,5 mm (.080-.100)

NOTES	MATERIAL	THICKNESS	AREA
20	TIN	2,0 μm	ALL OVER
21	NICKEL GOLD	0,8 μm	ALL OVER CONTACT AREA
22	TIN/LEAD	0,8 μm	CONTACT AREA BARREL
23	NICKEL GOLD	0,8 μm	ALL OVER CONTACT AREA
24	NICKEL GOLD	1,2 μm	ALL OVER CONTACT AREA
25	NICKEL SILVER	2,5 μm	ALL OVER CONTACT AREA
26	TIN/LEAD	2,5 μm	CONTACT AREA BARREL
27	SILVER	1,5-2,5 μm	ALL OVER
28	NICKEL	0,76 μm	ALL OVER
29	SILVER	2,5 μm	ALL OVER
30	NICKEL	1,27 μm	ALL OVER
31	TIN/LEAD	1,27 μm	ALL OVER
32	LUBRICATED		

DIRECTION OFF TOP OF REEL	
AMPOMATOR + MINI-APPL. 107-3-FIG.1	A
107-3-FIG.2	B
107-3-FIG.4	C

PARTNUMBER	DIRECTION OF REEL	LOOSE-PIECE	MATERIAL	PLATING
5-163081-3	A		BRASS	ECON. GOLD
5-163081-2	A		BRASS	SEL. GOLD
5-163081-1	A		BRASS	EL. TIN
1-163081-8	A	1-163082-8	BRASS	TIN/LEAD
1-163081-7	A		BRASS	SILVER
1-163081-6	B	1-163082-6	BRASS	SILVER
1-163081-5	A		PH. BRONZE	PRE-TIN
1-163081-4	B		PH. BRONZE	PRE-TIN
1-163081-3	A		BRASS	PRE-TIN
1-163081-2	B		BRASS	PRE-TIN
1-163081-1	A	1-163082-0	BRASS	ECON. GOLD
1-163081-0	B		BRASS	ECON. GOLD
163081-9	A	1-163082-1	BRASS	EL. TIN
163081-8	A		BRASS	EL. TIN
163081-7	A		BRASS	SEL. GOLD
163081-2	B	163082-2	BRASS	SEL. GOLD
163081-1	B	163082-1	BRASS	EL. TIN

- NOTES :
- U.L. RECONIZED UNDER FILE E28476 VOL. VI SEC. I.
 - FOR CRIMPDETAILS SEE AMP-SPEC. 114-19.000.
 - MEETS PRODUCT SPECIFICATION 108-10042.
 - 0,40 MAX. GAP BETWEEN SPRING-NOSE AND CONTACT BODY.
 - SPECIAL REEL WITH 200 PCS FOR REEL-FED HANDTOOL.

LTR.	REVISION RECORD	DR.	CHK.	DATE

CUSTOMER DRAWING FOR REFERENCE ONLY
WILL NOT BE UPDATED

© COPYRIGHT 19- BY AMP HOLLAND B.V.
ALL INTERNATIONAL RIGHTS RESERVED. AMP PRODUCTS MAY BE COVERED BY U.S. AND FOREIGN AND/OR PATENTS PENDING.
THIS DRAWING IS UNPUBLISHED
RELEASED FOR PUBLICATION

AMP AMP HOLLAND B.V.
's-Hertogenbosch,
The Netherlands.

PIN TYPE III CONTACT
SIZE 16

DR.:	-	CHK.:	-	APP.:	-	DWG. No.	163081	REV. LTR.	AW	SHEET	1 OF 1	A3
DATE:	-	DATE:	-	DATE:	-							