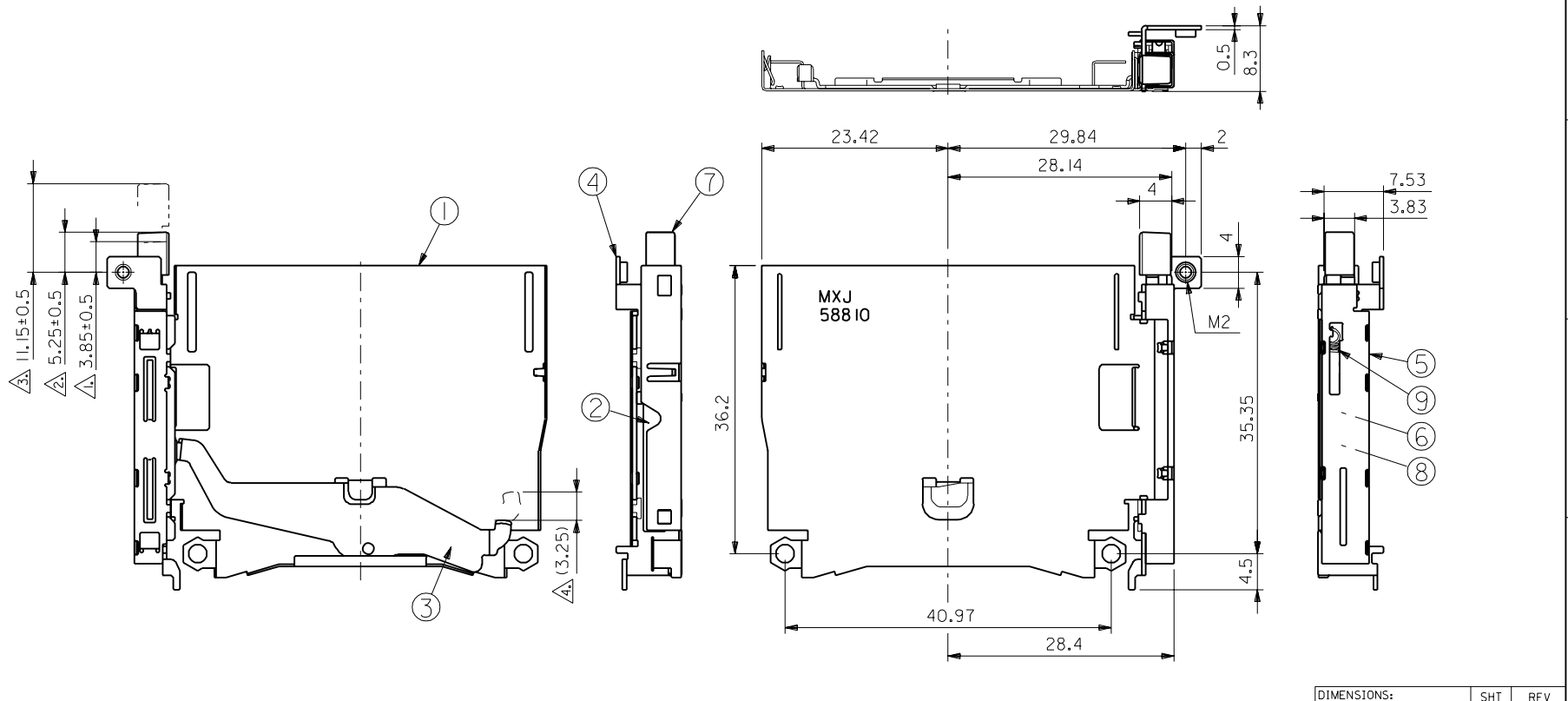


DWG. NO. SD-55364-002

注) NOTES
 △1 ボタン・フルストローク位置。
 BUTTON'S FULL STROKE POSITION.
 △2 ボタン収納時位置。
 BUTTON'S IN POSITION.
 △3 ボタン突出時位置。
 BUTTON'S OUT POSITION.
 △4 イジェクト時、カード飛び出し量は(3.25)mm。
 IN EJECTING OPERATION, CARD OUT BY (3.25)mm.



DO NOT SCALE DRAWING

EC NO. DRWN: CHK: APPR:	EC NO. DRWN: CHK: APPR:	EC NO. DRWN: CHK: APPR:	EC NO. DRWN: CHK: APPR:	EC NO. DRWN: CHK: APPR:	REV	MATERIAL 材料	GENERAL TOLERANCES: (UNLESS SPECIFIED) 一般公差	SCALE 2 - 1	DESIGN UNITS <input checked="" type="checkbox"/> mm <input type="checkbox"/> INCH	DIMENSIONS: <input type="checkbox"/> mm <input type="checkbox"/> INCH <input checked="" type="checkbox"/> mm ONLY	SHT	REV
RELEASED EC NO. JD90381 DRWN: THIRATA '98/09/09 CHK: MSASAO '98/09/08 APPR: HIKESUGI '98/09/09					0	SEE NOTES	10 UNDER 未満	+0.2	DRAWN BY & DATE <i>T. Hirata</i> '98/09/09	THIRD ANGLE PROJECTION		
FINISH 仕上り						SEE NOTES	10 OVER 以上	+0.25	CHECKED BY & DATE <i>H. Saito</i> '98/09/09			TITLE: CF CARD CONN. EJECT MECHANISM EJECT ASS'Y
WIRE RANGE 適用線径範囲							30 OVER 以上	+0.3	APPROVED BY & DATE <i>H. Saito</i> '98/09/09			
INS. RANGE 被覆外径							ANGLE 角度	+3°	CAD FILENAME 55364002.S01	MATERIAL NO. 55364-0011	DRAWING NO. SD-55364-002	SHEET NO. 1 OF 2
THIS DRAWING CONTAINS INFORMATION THAT IS PROPRIETARY TO MOLEX INCORPORATED AND SHOULD NOT BE USED WITHOUT WRITTEN PERMISSION.										SIZE B		

DWG. NO. SD-55364-002

E

D

V

C

B

DO NOT SCALE DRAWING

8

7

6

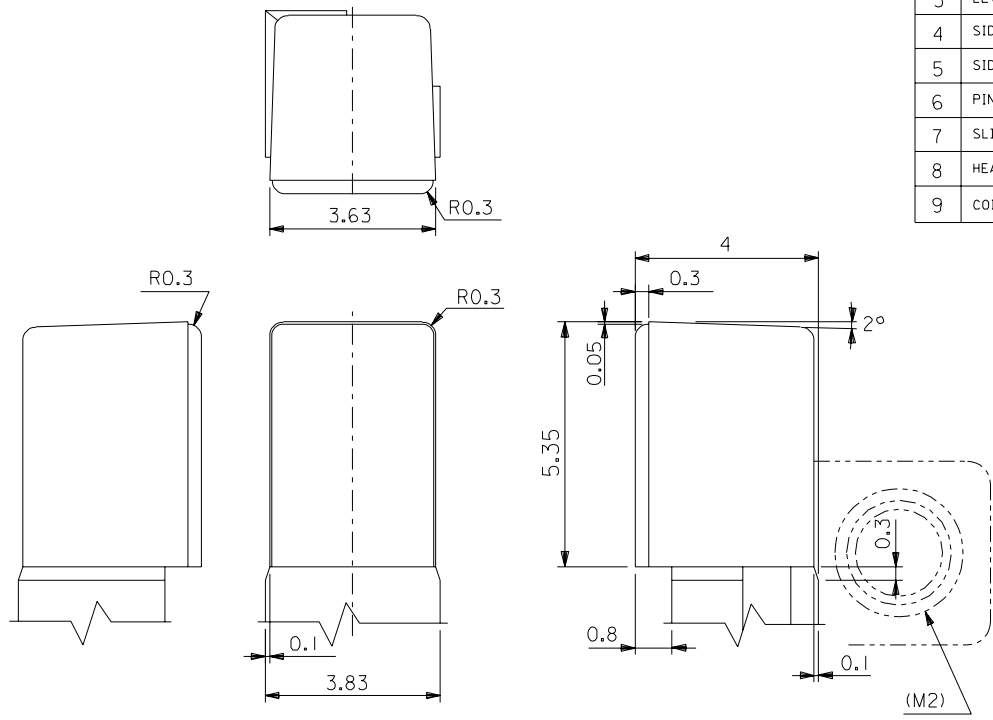
5

4

3

2

1



ボタン詳細寸法
DETAIL OF BUTTON

No.	品名 NAME	材料 MATERIAL	仕上げ FINISH	個数 PIECE
1	METAL SHELL	ステンレス鋼 t 0.25 STAINLESS STEEL t 0.25	—	1
2	PUSH ROD	ステンレス鋼 t 0.5 STAINLESS STEEL t 0.5	—	1
3	LEVER	ステンレス鋼 t 0.4 STAINLESS STEEL t 0.4	—	1
4	SIDE PLATE	ステンレス鋼 t 0.5 STAINLESS STEEL t 0.5	—	1
5	SIDE COVER	ステンレス鋼 t 0.25 STAINLESS STEEL t 0.25	—	1
6	PIN PLATE	鋼 STEEL	フッ素樹脂コーティング FLUORINE RESIN COATING	1
7	SLIDER	ポリカーボネート UL94V-0 色:黒色 POLYCARBONATE UL94V-0 COLOR:BLACK	—	1
8	HEART CAM	ポリカーボネート UL94V-0 色:黒色 POLYCARBONATE UL94V-0 COLOR:BLACK	—	1
9	COIL SPRING	ステンレス鋼 φ 0.22 STAINLESS STEEL φ 0.22	—	1

F

E

D

C

B

A

EC NO. DRAWN: CHK: APPR:	EC NO. DRAWN: CHK: APPR:	EC NO. DRAWN: CHK: APPR:	EC NO. DRAWN: CHK: APPR:	EC NO. DRAWN: CHK: APPR:	EC NO. DRAWN: CHK: APPR:	DESCRIPTION	MATERIAL 材料	GENERAL TOLERANCES: (UNLESS SPECIFIED) 一般公差	SCALE 2 - 1	DESIGN UNITS <input checked="" type="checkbox"/> mm <input type="checkbox"/> INCH	THIRD ANGLE PROJECTION	TITLE:	DIMENSIONS: <input type="checkbox"/> mm <input type="checkbox"/> INCH <input checked="" type="checkbox"/> mm ONLY	SHT	REV
						SEE NOTES	SEE NOTES	10 UNDER 未滿 +0.2	DRAWN BY & DATE T. Kinata '98/09/09		<input type="checkbox"/> THIRD ANGLE PROJECTION	CF CARD CONN. EJECT MECHANISM EJECT ASS'Y			
						SEE NOTES	FINISH 仕上げ	10 OVER 以上 30 UNDER 未滿 +0.25	CHECKED BY & DATE H. Saeb '98/09/09		<input checked="" type="checkbox"/> THIRD ANGLE PROJECTION	MOLEX INCORPORATED			
						0	WIRE RANGE 適用導線範囲	30 OVER 以上 +0.3	APPROVED BY & DATE 98/09/09		<input checked="" type="checkbox"/> THIRD ANGLE PROJECTION	MATERIAL NO. 55364-0011	DRAWING NO. SD-55364-002	SHEET NO. 2	
						REV	INS. RANGE 被覆外径	ANGLE 角度 +3°	CAD FILENAME 55364002.S02		<input checked="" type="checkbox"/> THIRD ANGLE PROJECTION	DRAWING NO. SD-55364-002	SHEET NO. 2	SIZE B	

8

7

6

5

4

3

2

EN-02J(097) MXJ-54

55364002.S02

DWG. NO. SD-55364-003

F

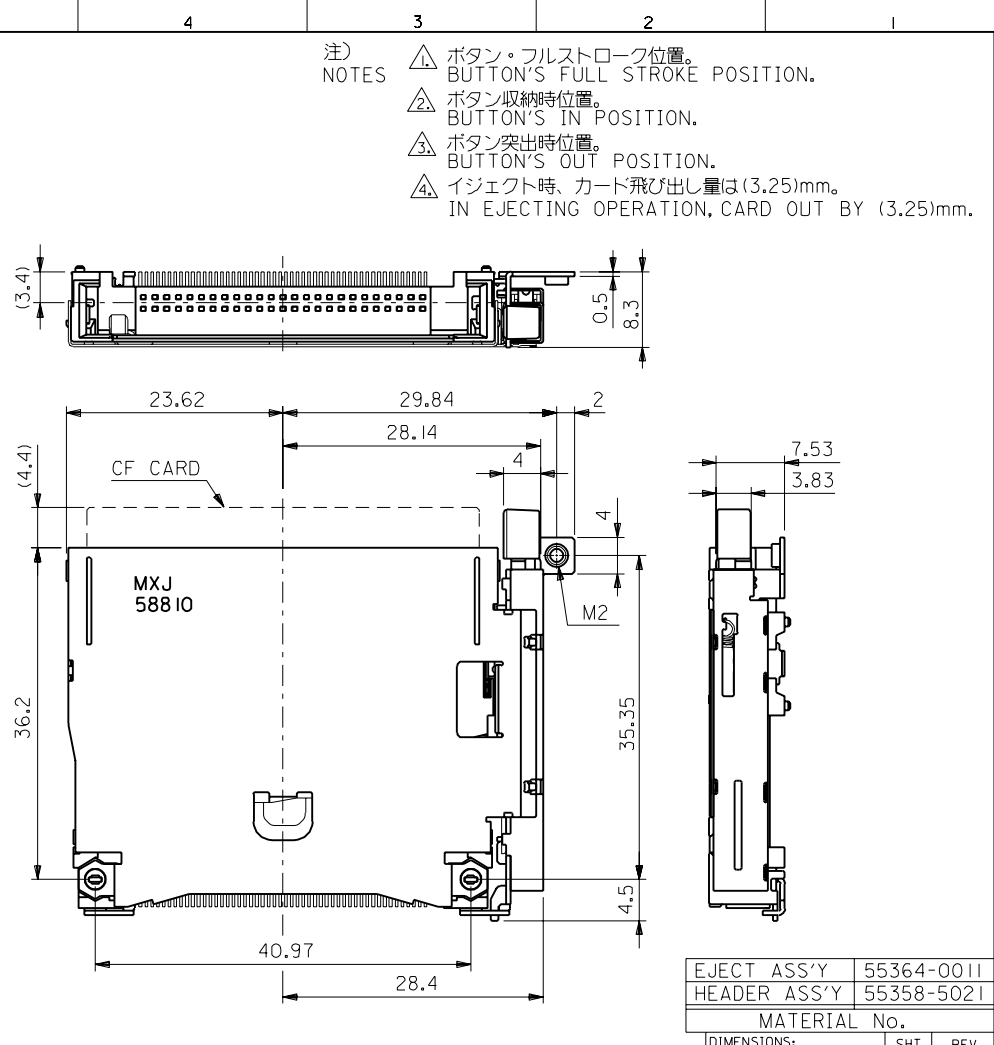
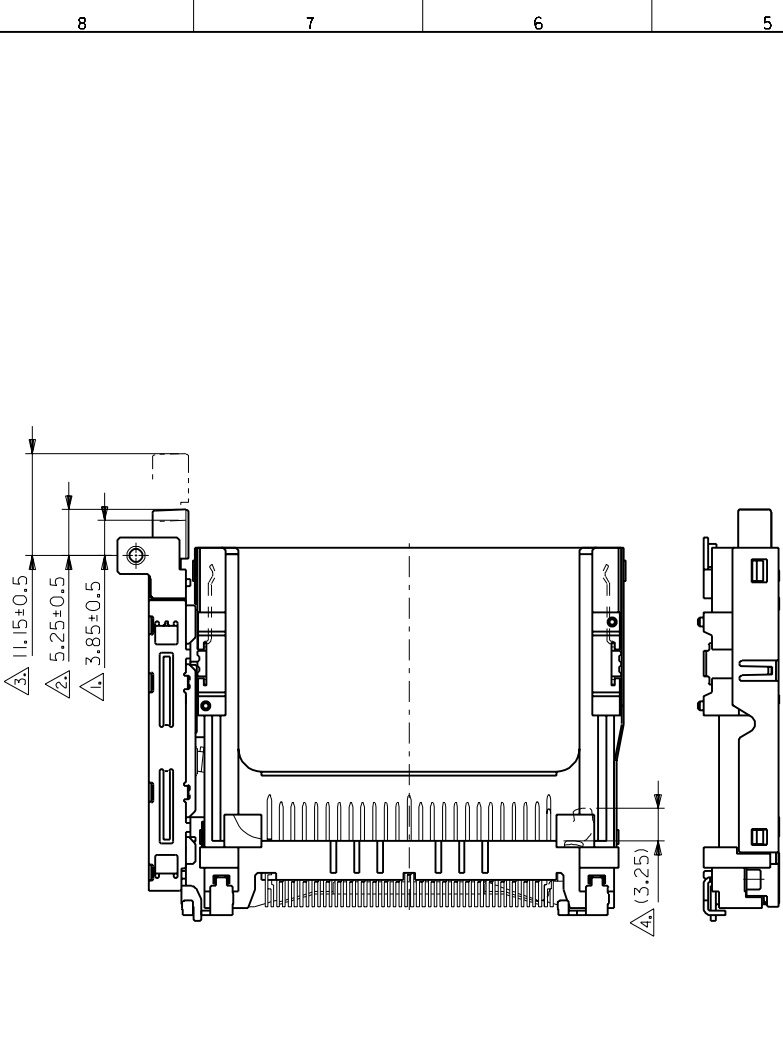
D

V

C

B

DO NOT SCALE DRAWING



- 注) NOTES
- △ ボタン・フルストローク位置。
BUTTON'S FULL STROKE POSITION.
 - △ ボタン収納時位置。
BUTTON'S IN POSITION.
 - △ ボタン突出時位置。
BUTTON'S OUT POSITION.
 - △ イジェクト時、カード飛び出し量は(3.25)mm。
IN EJECTING OPERATION, CARD OUT BY (3.25)mm.

EJECT ASS'Y	55364-0011
HEADER ASS'Y	55358-5021
MATERIAL No.	

DIMENSIONS:		SHT	REV
<input type="checkbox"/> mm	<input type="checkbox"/> INCH	<input checked="" type="checkbox"/> mm	<input type="checkbox"/> ONLY
		REVISE ON CAD ONLY	
SCALE		DESIGN UNITS	
2 - 1		<input checked="" type="checkbox"/> mm <input type="checkbox"/> INCH	
DRAWN BY & DATE		TITLE:	
T. Kinata '98/09/08		CF CARD CONN. EJECT MECHANISM (TYPE I/II, NORMAL)	
CHECKED BY & DATE		APPROVED BY & DATE	
H. Saeb '98/09/08		[Signature] '98/09/08	
CAD FILENAME		MATERIAL NO.	
55364003.SOI		SEE TABLE	
DRAWING NO.		SHEET NO.	
SD-55364-003		1 OF 3	
SIZE		B	

EC NO.	REVISED
DRWN: CH/K	JD2000-1126
APPR: HIKESUGI '99/07/31	DRWN: THIRATA '99/07/31
	CH/K: MSASAO '99/07/31
	APPR: HIKESUGI '99/07/31
EC NO.	REVISED
DRWN: CH/K	JD00137
APPR: HIKESUGI '99/07/31	DRWN: THIRATA '99/07/31
	CH/K: MSASAO '99/07/31
	APPR: HIKESUGI '99/07/31
EC NO.	RELEASED
DRWN: CH/K	JD90360
APPR: HIKESUGI '98/09/08	DRWN: THIRATA '98/09/08
	CH/K: MSASAO '98/09/08
	APPR: HIKESUGI '98/09/08

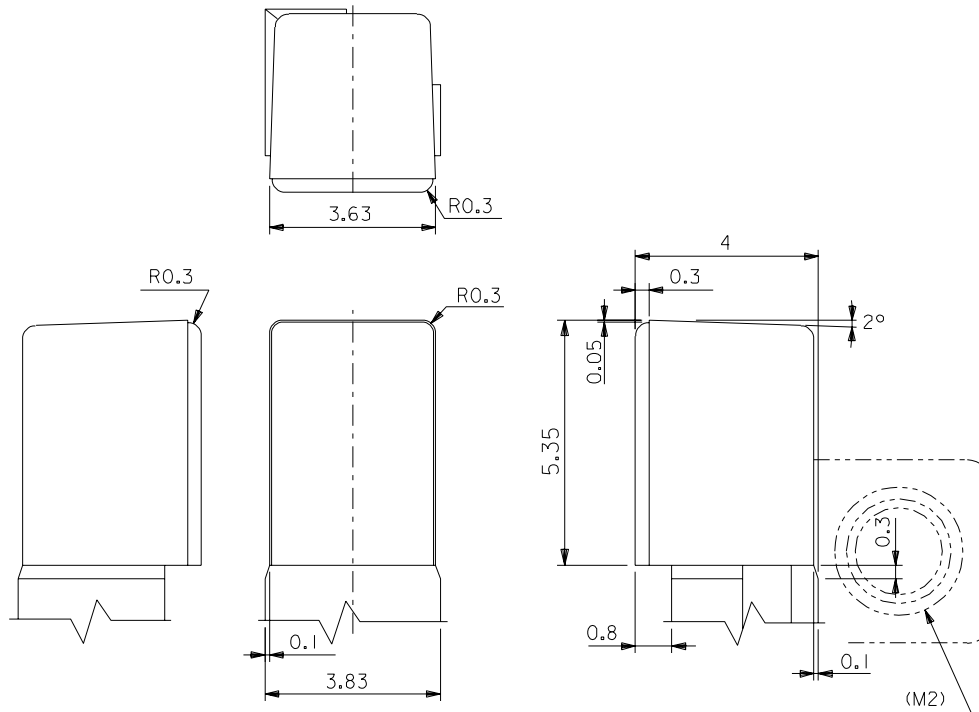
MATERIAL	材料	#
FINISH	仕上げ	#
WIRE RANGE	適用線径範囲	#
INS. RANGE	被覆外径	#

GENERAL TOLERANCES: (UNLESS SPECIFIED) 一般公差	
10 UNDER 未満	+0.2
10 OVER 以上 30 UNDER 未満	+0.25
30 OVER 以上	+0.3
ANGLE 角度	+3°

SCALE	DESIGN UNITS
2 - 1	<input checked="" type="checkbox"/> mm <input type="checkbox"/> INCH
DRAWN BY & DATE	
T. Kinata '98/09/08	
CHECKED BY & DATE	
H. Saeb '98/09/08	
APPROVED BY & DATE	
[Signature] '98/09/08	
CAD FILENAME	
55364003.SOI	

THIRD ANGLE PROJECTION	
TITLE:	
CF CARD CONN. EJECT MECHANISM (TYPE I/II, NORMAL)	
APPROVED BY & DATE	
[Signature] '98/09/08	
MATERIAL NO.	
SEE TABLE	
DRAWING NO.	
SD-55364-003	
SHEET NO.	
1 OF 3	
SIZE	
B	

DWG. NO. SD-55364-003



ボタン詳細寸法
DETAIL OF BUTTON

DO NOT SCALE DRAWING

						DIMENSIONS:		SHT	REV
						<input type="checkbox"/> mm <input type="checkbox"/> INCH <input checked="" type="checkbox"/> mm ONLY		REVISE ON CAD ONLY	
						SCALE 10-1	DESIGN UNITS <input checked="" type="checkbox"/> mm <input type="checkbox"/> INCH	THIRD ANGLE PROJECTION	
						DRAWN BY & DATE T. Kinata '98/09/08		TITLE: CF CARD CONN. EJECT MECHANISM (TYPE I/II, NORMAL)	
						CHECKED BY & DATE H. Saebob '98/09/08		MOLEX INCORPORATED	
						APPROVED BY & DATE [Signature] '98/09/08		MATERIAL NO.	DRAWING NO.
						CAD FILENAME 55364003.S03		SD-55364-003	SHEET NO. 3
						INS. RANGE 被覆外径		THIS DRAWING CONTAINS INFORMATION THAT IS PROPRIETARY TO MOLEX INCORPORATED AND SHOULD NOT BE USED WITHOUT WRITTEN PERMISSION.	
						ANGLE 角度		SIZE B	