

AMPHENOL P/N:

AMPHENOL P/N	PCB THICKNESS DIM "T"	DIM 'A'	DIM 'B'
HE11-RDA-110-3	.062 [1.57]	.053 [1.35]	.053±.01 [1.35±0.25mm]
HE11-RDA-110-3-C	.062 [1.57]	.053 [1.35]	.053±.01 [1.35±0.25mm]
HE11-RDA-110-3-CT	.062 [1.57]	.053 [1.35]	.053±.01 [1.35±0.25mm]
HE11-RDA-110-4	.093 [2.36]	.081 [2.05]	.064±.01 [1.62±0.25mm]
HE11-RDA-110-4-C	.093 [2.36]	.081 [2.05]	.064±.01 [1.62±0.25mm]
HE11-RDA-110-4-CT	.093 [2.36]	.081 [2.05]	.064±.01 [1.62±0.25mm]

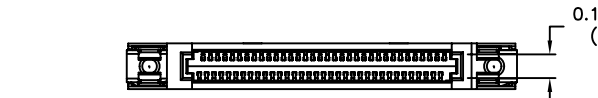
PART NUMBER SYSTEM:

HE11-RDA-110-X-XX

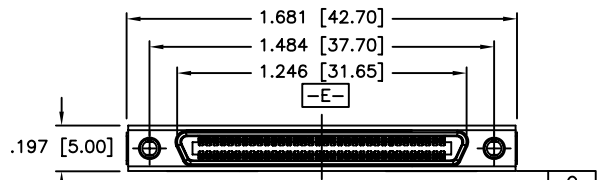
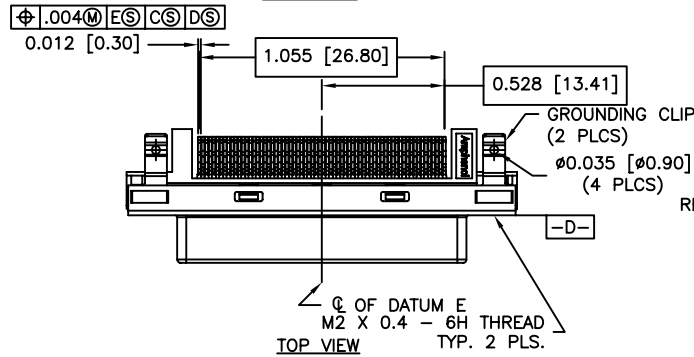
OPTIONS:  
 3= FOR 0.062" THICK PCB  
 4= FOR 0.093" THICK PCB

BLANK= WITHOUT PLUG & WITH TUBE PACKAGING;  
 C = WITH PLUG & TUBE PACKAGING;  
 CT= WITH PLUG & TAPE & REEL PACKAGING

REVISIONS			
REV.	DESCRIPTION	DATE	APPROVED
A	PROPOSAL DRAWING	MAY 30/05	LJ
B	ECN E07376	DEC 22/03	LCHAN
C	CHANGE DIM FROM 0.031(0.80) TO 0.0315(0.80)	MAY 18/09	AG



BACK VIEW



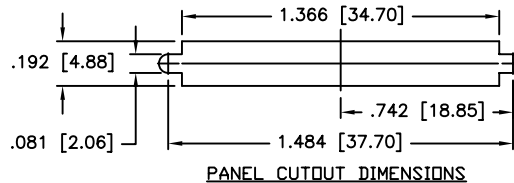
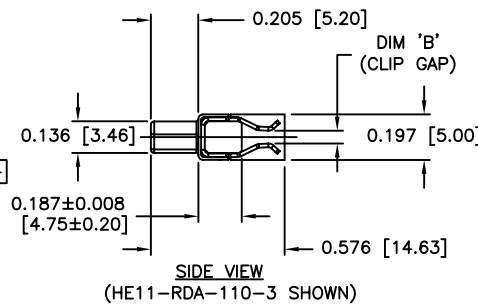
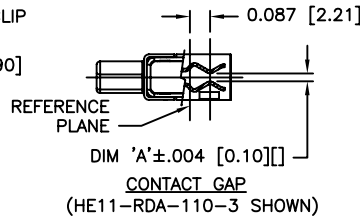
FRONT VIEW  
 (HE11-RDA-110-3 SHOWN)

NOTE:  
 PLASTIC HOUSING: GLASS FILLED THERMOPLASTIC  
 FLAMMABILITY RATING UL 94V-0.  
 COLOUR: BLACK

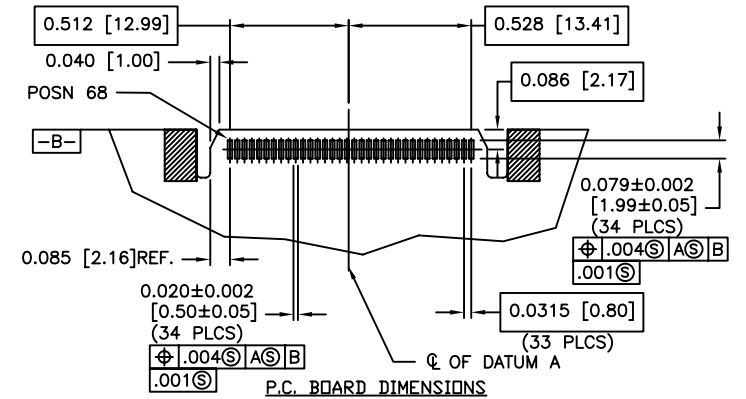
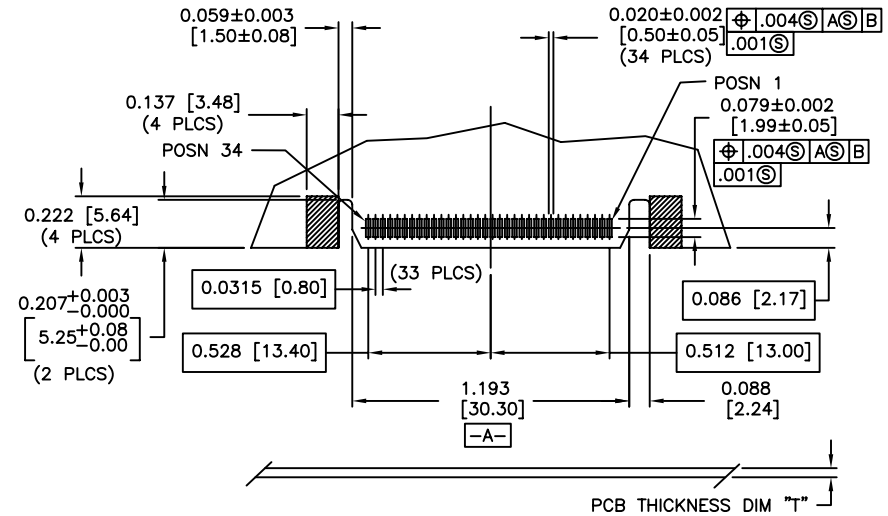
CONTACTS: PHOSPHOR BRONZE  
 30 u" [0.76 MICRONS] GOLD OVER  
 50 u" [ 1.27 MICRONS] NICKEL.  
 150 u"~ 300u" [ 3.75~7.50 MICRONS]  
 MATTE TIN OVER NICKEL IN SOLDER TAIL AREA.

SHELL: STEEL, NICKEL PLATED.  
 GROUNDING CLIP: COPPER ALLOY , 150u" (3.75 MICRONS)  
 MATTE TIN OVER 50u" (1.27 MICRONS) NICKEL

REFLOW: 6u" (0.15 MICRONS) MIN. SOLDER PASTE ON  
 P.C. BOARD REQUIRED FOR REFLOW PROCESS.

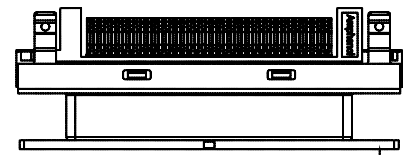
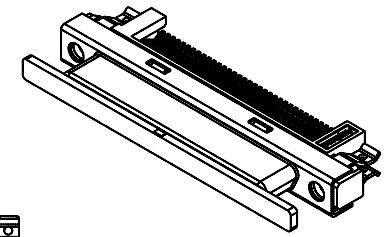
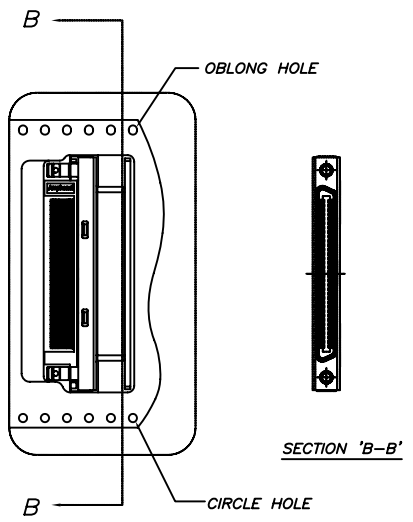
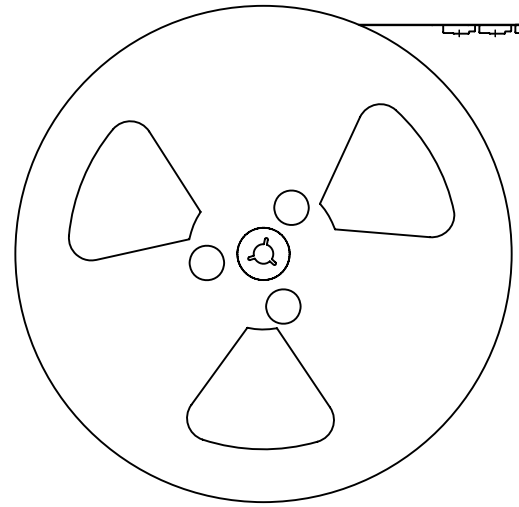
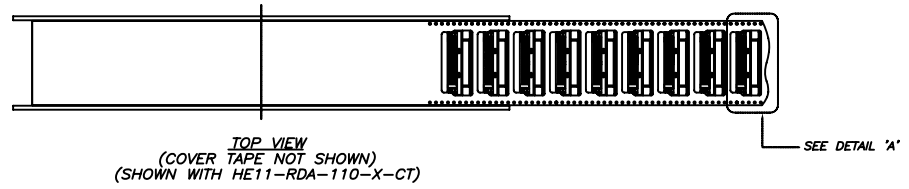


DO NOT SCALE DRAWING  
 THIS DOCUMENT CONTAINS PROPRIETARY INFORMATION AND SUCH INFORMATION MAY NOT BE DISCLOSED TO OTHERS FOR ANY PURPOSE  
 OR USED FOR MANUFACTURING PURPOSES WITHOUT PERMISSION FROM AMPHENOL CANADA CORP.



UNLESS OTHERWISE SPECIFIED DIMENSIONS ARE IN INCHES	APPROVALS	DATE	Amphenol Canada Corp.
	DRAWN L.CHAN	MAY 30.05	
MATERIAL AND FINISH SEE NOTES	DESIGNED		TITLE VHDCI STRADDLE MOUNT RECEPTACLE, NO SCREWLOCKS, SHIELDED WITH NO EMI TABS RoHS COMPLIANT
	CHECKED K.LAMBIE	MAY 30.05	
REF. ECN E07376	BY APP'D		REV. B
DATE CHG. NO. 03554	ENG APP'D		SCALE 2 = 1
			PROJECT RDA SHEET 1 OF 2

REVISIONS			
REV.	DESCRIPTION	DATE	APPROVED
A	PROPOSAL DRAWING	MAY 30/05	LJ
B	ECN E07376	OCT 22/03	LCHAN
C	CHANGE DIM FROM 0.031(0.80) TO 0.0315(0.80)	MAY 18/09	AG



PLUG COVER TO BE REMOVED AFTER CONNECTOR SOLDERED INTO THE PCB



**PACKAGING NOTES:**

- REEL DETAILS:
  - O.D.: 330.00 [12.992].
  - THICKNESS: 56.8 [2.236].
  - CONNECTORS PER REEL: 496.
- TAPE & REEL PACKAGING IS IN COMPLIANCE WITH EIA 481.

DO NOT SCALE DRAWING  
OR USED FOR MANUFACTURING PURPOSES WITHOUT PERMISSION FROM AMPHENOL CANADA CORP.

UNLESS OTHERWISE SPECIFIED DIMENSIONS ARE IN INCHES	APPROVALS	DATE	Amphenol Canada Corp.	
	DRAWN L.CHAN	MAY 30.05	TITLE	VHDCI STRADDLE MOUNT RECEPTACLE, NO SCREWLOCKS, SHIELDED WITH NO EMI TABS RoHS COMPLIANT
MATERIAL AND FINISH SEE NOTES	CHECKED K.LAMBIE	MAY 30.05	SIZE B	REV. C
	REF. ECN E07376		SCALE 2 = 1	
CAGE/HEAT. NO. 03554			PROJECT RDA	SHEET 2 OF 2