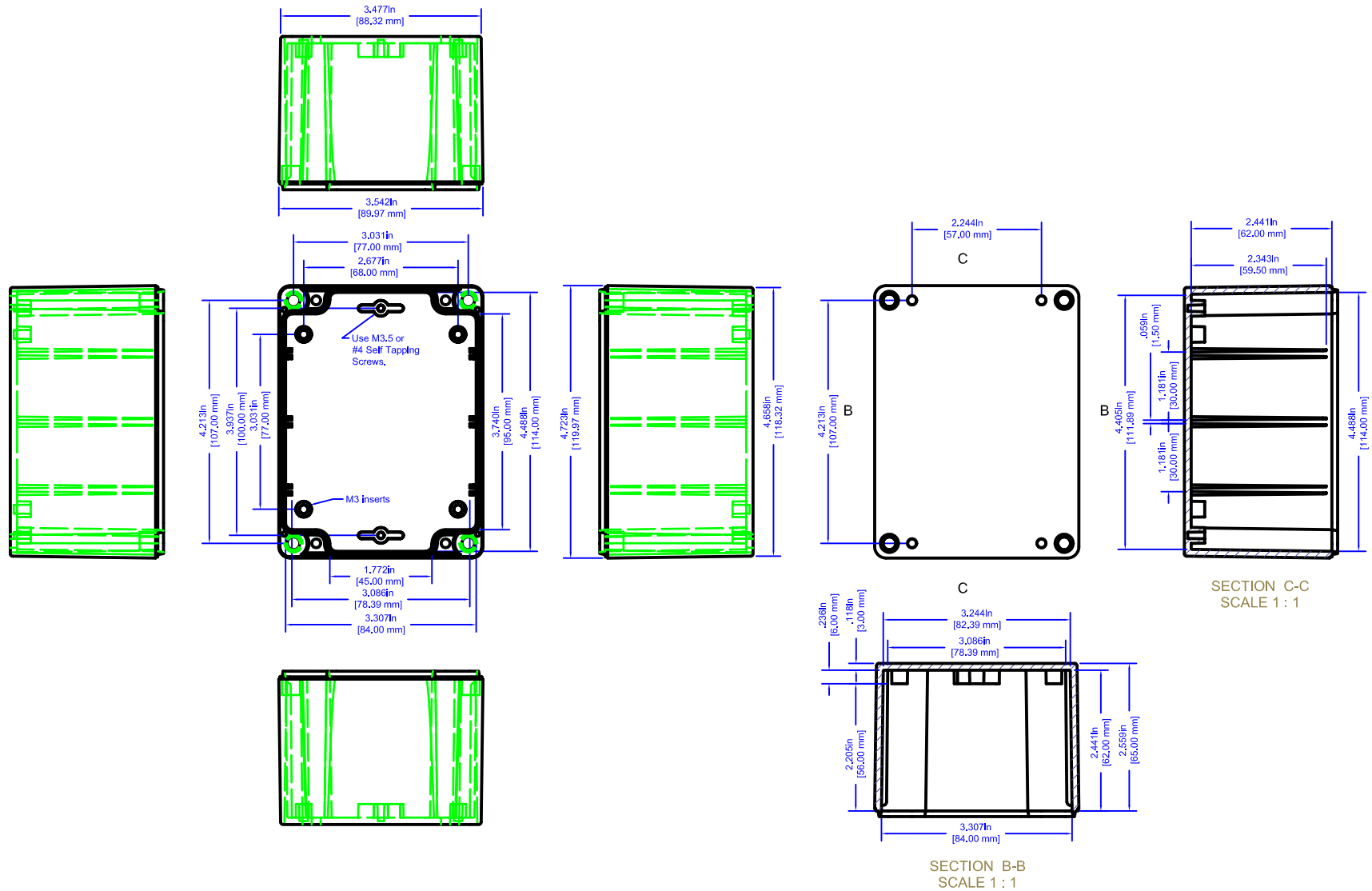


NOTES

FOR CONSTRUCTION DETAILS GO TO WWW.HAMMONDMFG.COM



THIS DRAWING IS PROPRIETARY INFORMATION OF HAMMOND MFG.CO.LTD. NOT TO BE USED WITHOUT EXPRESSED WRITTEN PERMISSION OF HAMMOND MFG.CO.LTD.

△	N/A	REVISION	----	05/01/03	
Rev	ECN	Description		Date	By

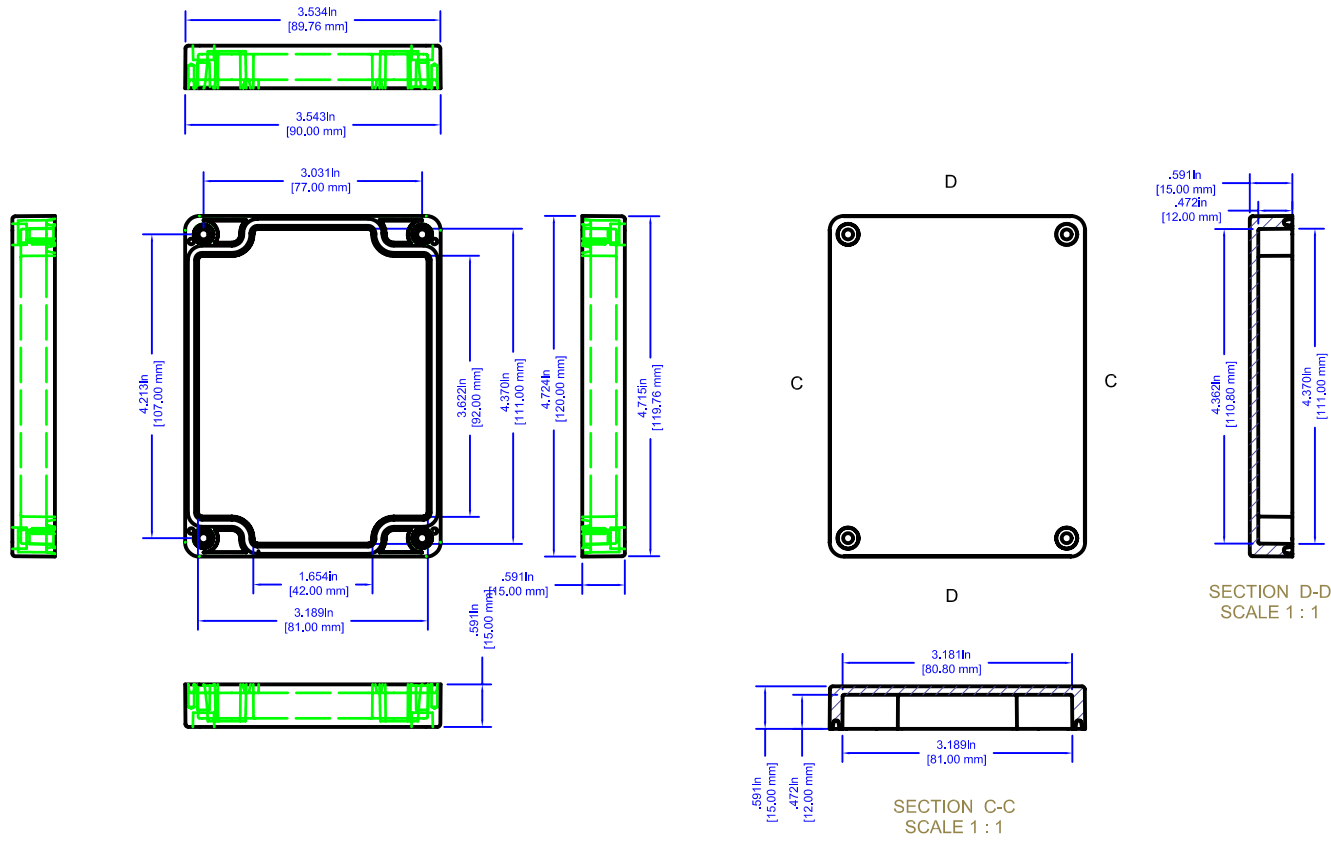
Unless otherwise spec'd dimensions are in inches
Tolerances are:
.X ± .1
.XX ± .01
.XXX ± .002
.XXXX ± .0001
Holes ± .002
Angles ± .5

Dwn	R. BOEHLER
Date	05/01/03
Chk	---
Mat'l	ABS POLYCARBONATE
Sheet	1 of 3

HAMMOND MANUFACTURING CO. LTD.
Electronics Group, Waterloo, Ont. -
Cheektowaga, NY www.hammondmg.com

HAMMOND 1554 SERIES

Part#: 1554G BOX Dwg: 1554G



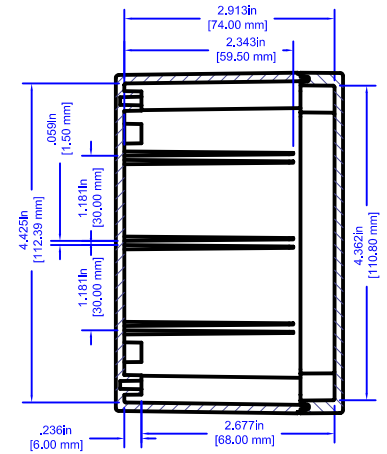
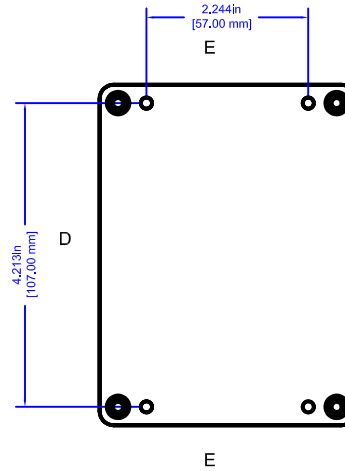
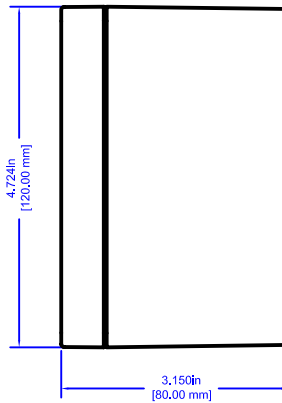
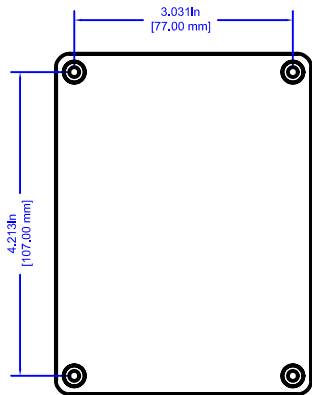
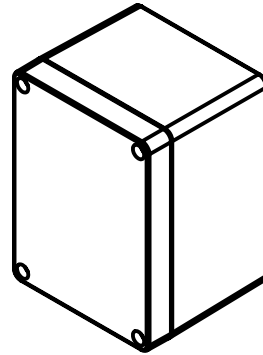
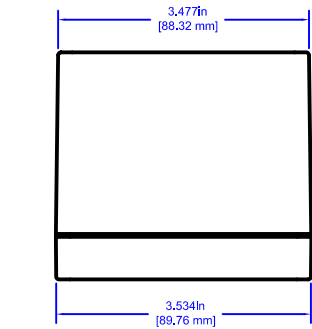
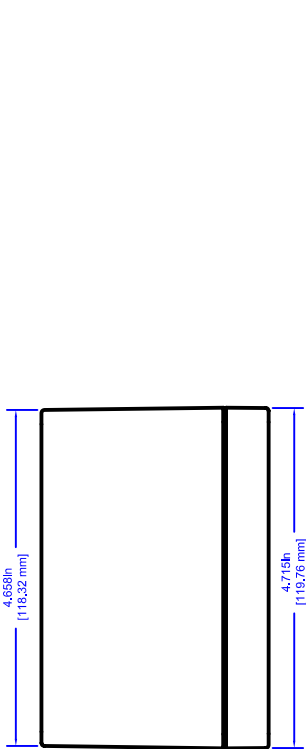
THIS DRAWING IS PROPRIETARY INFORMATION OF HAMMOND MFG.CO.LTD. NOT TO BE USED WITHOUT EXPRESSED WRITTEN PERMISSION OF HAMMOND MFG.CO.LTD.

Rev	ECN	Description	Date	By
	N/A		05/01/03	

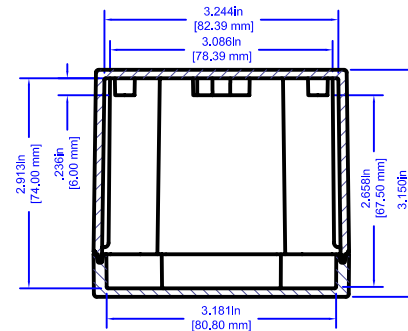
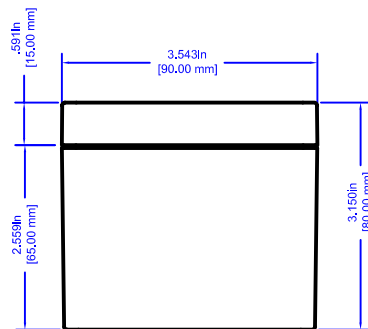
Unless otherwise spec'd dimensions are in inches
Tolerances are:
.X ± .1
.XX ± .01
.XXX ± .002
.XXXX ± .0001
Holes ± .002
Angles ± .5

Dwn	R. BOEHLER
Date	05/01/03
Chk	---
Mat'l	ABS POLYCARBONATE
Sheet	2 of 3

	HAMMOND MANUFACTURING CO. LTD. Electronics Group, Waterloo, Ont. - Cheektowaga, NY www.hammondmfg.com	
	<h1>HAMMOND 1554 SERIES</h1>	
Part#:	1554G LID	Dwg: 1554G



SECTION E-E
SCALE 1 : 1



SECTION D-D
SCALE 1 : 1

THIS DRAWING IS PROPRIETARY INFORMATION OF HAMMOND MFG.CO.LTD. NOT TO BE USED WITHOUT EXPRESSED WRITTEN PERMISSION OF HAMMOND MFG.CO.LTD.

△	N/A		----	05/01/03	
Rev	ECN	Description		Date	By

Unless otherwise spec'd
dimensions are in inches
Tolerances are:
.X ± .1
.XX ± .01
.XXX ± .002
.XXXX ± .0001
Holes ± .002
Angles ± .5

Dwn	R. BOEHLER
Date	05/01/03
Chk	---
Mat'l	ABS POLYCARBONATE
Sheet	3 of 3

HAMMOND MANUFACTURING CO. LTD.
Electronics Group, Waterloo, Ont. -
Cheektowaga, NY www.hammondmfg.com

HAMMOND 1554 SERIES

Part#: ASSEMBLED Dwg: 1554G