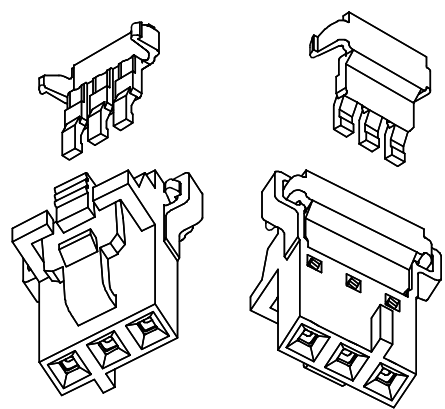


- NOTES:
 1) TERMINAL POSITION ASSURANCE (TPA) FOR USE WITH SL HOUSING, "N" OPTION, SERIES #70066 AND TERMINAL SERIES NUMBERS 70058 AND 71851.
 2) MATERIAL : GLASS FILLED POLYESTER, COLOR NATURAL, (WHITE) 94V-0,
 3) COMPONENTS SOLD SEPERATELY, NOT IN KIT FORM.
 4) THIS PRODUCT TO CONFORM TO MOLEX PRODUCT SPEC. PS-73838-999.
 5) MAXIMUM DIAMETER WIRE FOR THIS APPLICATION .064/1.62.
 6) PACKAGING PER PK-70873-0540.



TPA SHOWN ASSEMBLED TO 70066 HOUSING FOR REFERENCE ONLY

ITEM NUMBER	CKT SIZE	STATUS	DIM "A" ±.010/0.25	DIM "B" ±.010/0.25	DIM "C" ±.010/0.25	DIM "D" ±.010/0.25
73838-0002	2	TOOLED	.259/6.58	.100/2.54	.202/5.13	.166/4.22
73838-0003	3	TOOLED	.359/9.12	.200/5.08	.302/7.67	.266/6.76
73838-0004	4	TOOLED	.459/11.66	.300/7.62	.402/10.21	.366/9.30
73838-0005	5	TOOLED	.559/14.20	.400/10.16	.502/12.75	.466/11.84
73838-0006	6	TOOLED	.659/16.74	.500/12.70	.602/15.29	.566/14.38
73838-0007	7	TOOLED	.759/19.28	.600/15.24	.702/17.83	.666/16.92
73838-0008	8	TOOLED	.859/21.82	.700/17.78	.802/20.37	.766/19.46

MODIFY LEG TIPS EC NO: UCP2006-0223 DRAWN BY: 2005/08/30 CHFKD:HSWART 2005/09/06 APPR:SMILLER 2005/09/06 REVISIONS	QUALITY SYMBOLS ▽=0 ▽=0	GENERAL TOLERANCES (UNLESS SPECIFIED) mm INCH 4 PLACES ± --- ± --- 3 PLACES ± --- ±.010 2 PLACES ± 0.25 ±.015 1 PLACE ± 0.38 ± --- ANGULAR ±1/2°	DIMENSION STYLE IN/MM DRAWN BY: RE ISDORF DATE: 98/12/15 CHECKED BY: RE ISDORF DATE: 98/12/15 APPROVED BY: BRINKMAN DATE: 98/12/15 MATERIAL NO.	SCALE 5:1 DESIGN UNITS INCH THIRD ANGLE PROJECTION	TITLE TERMINAL POSITION ASSURANCE FOR SL CRIMP HOUSING, SALES DRAWING MOLEX MOLEX INCORPORATED DOCUMENT NO. SD-73838-004 SHEET NO. 1 OF 1
	DRAFT WHERE APPLICABLE MUST REMAIN WITHIN DIMENSIONS		SEE CHART	THIS DRAWING CONTAINS INFORMATION THAT IS PROPRIETARY TO MOLEX INCORPORATED AND SHOULD NOT BE USED WITHOUT WRITTEN PERMISSION	