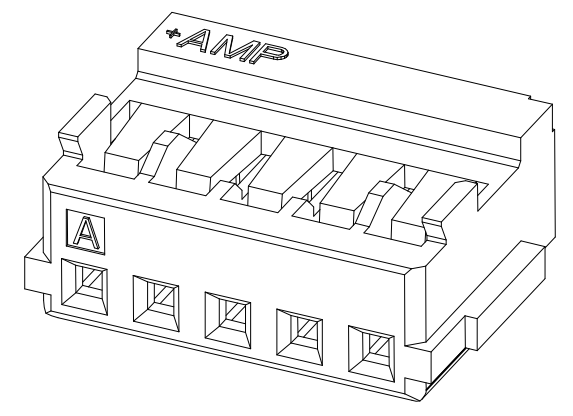
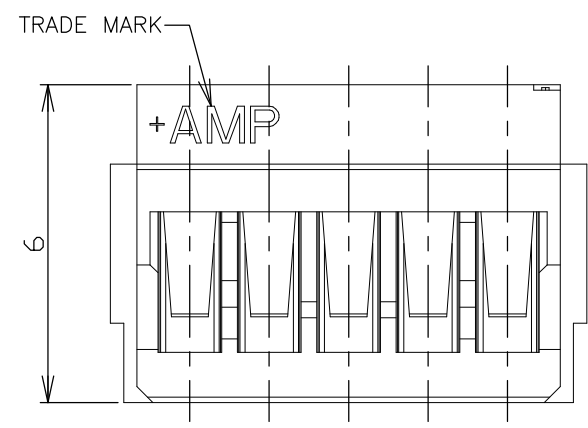
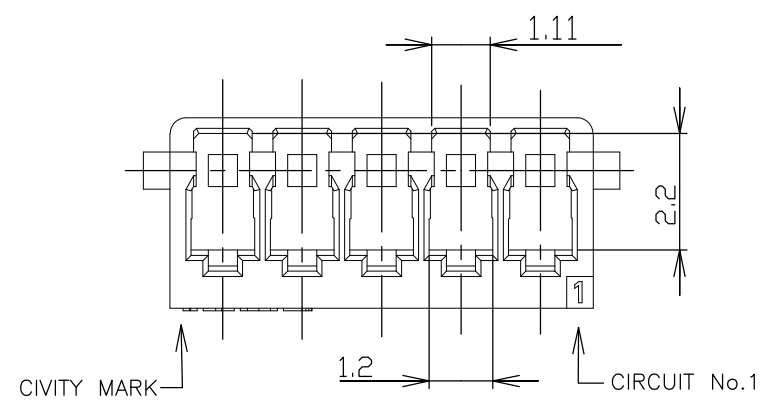
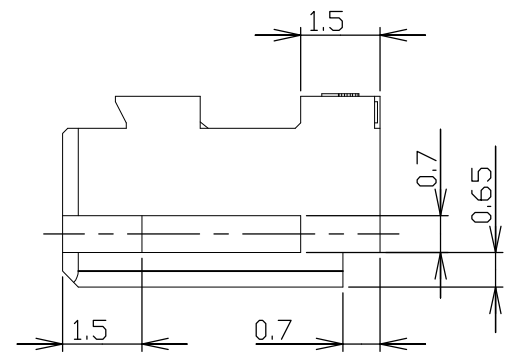
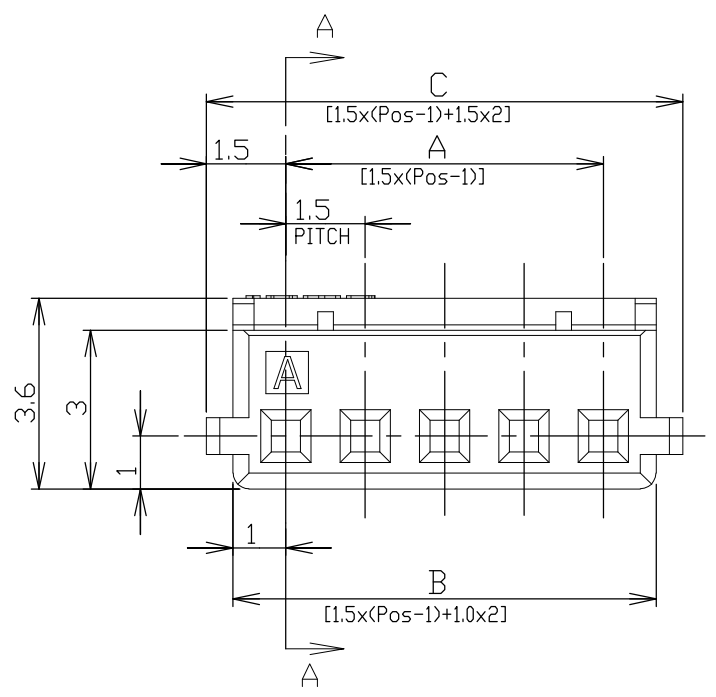
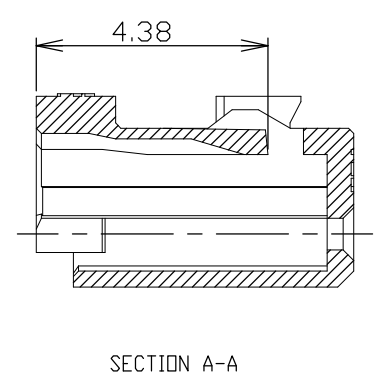


THIS DRAWING IS UNPUBLISHED. RELEASED FOR PUBLICATION
 © COPYRIGHT BY TYCO ELECTRONICS CORPORATION. ALL RIGHTS RESERVED.

LOC	DIST	REVISIONS					
ES	00	P	LTR	DESCRIPTION	DATE	DWN	APVD
		C1	REVISED	ECR-07-028230	28NOV07	A.L	S.Y



- NOTES:
 ⚠ APPLICABLE WIRE SIZE: AWG#24~#30(0.22mm²~0.05mm²).
 INSULATION DIAMETER: 0.7mm~1.03mm.
 ② USE WITH RECEPTACLE CONTACT P/N
 AWG#24~#28: 353907-1, 353918-1(L/P)



THIS DRAWING IS A CONTROLLED DOCUMENT.

DIMENSIONS: mm	TOLERANCES UNLESS OTHERWISE SPECIFIED:
	0 PLC ± -
	1 PLC ± -
	2 PLC ± -
	3 PLC ± -
	4 PLC ± -
	ANGLES ± -
	FINISH ± -
MATERIAL	
66NYLON UL94-V0	

GENERAL TOLERANCE	
10 ≥	±0.2
30 ≥ > 10	±0.25
100 ≥ > 30	±0.3
ANGLES: ±3°	

WIRE RANGE		INSULATION DIA	
DWN H.HOSHINO 26.APR.'97		Tyco Electronics Corporation shanghai cn	
CHK J.TANIGAWA 26.APR.'97		NAME	
APVD S.KUBONOHI 10.MAR.'99		AMP MINI COMMON TERMINATED (CT) CONNECTOR 1.5mm PITCH HOUSING, CRIMP TYPE	
PRODUCT SPEC 108-60025		SIZE	CAGE CODE
APPLICATION SPEC 114-5245		DRAWING NO	RESTRICTED TO
WEIGHT		A3	00779
CUSTOMER DRAWING		C-353908	
SCALE NON		SHEET 1 OF 2	REV C1

THIS DRAWING IS UNPUBLISHED. RELEASED FOR PUBLICATION
 © COPYRIGHT - BY TYCO ELECTRONICS CORPORATION. ALL RIGHTS RESERVED.

LOC	DIST	REVISIONS					
ES	00	P	LTR	DESCRIPTION	DATE	DWN	APVD
		-		SEE SHEET 1	-	-	-

0.30	31.5	30.5	28.5	20	8-353908-0	2-353908-0
0.29	30.0	29.0	27.0	19	7-353908-9	1-353908-9
0.27	28.5	27.5	25.5	18	7-353908-8	1-353908-8
0.26	27.0	26.0	24.0	17	7-353908-7	1-353908-7
0.24	25.5	24.5	22.5	16	7-353908-6	1-353908-6
0.23	24.0	23.0	21.0	15	7-353908-5	1-353908-5
0.21	22.5	21.5	19.5	14	7-353908-4	1-353908-4
0.20	21.0	20.0	18.0	13	7-353908-3	1-353908-3
0.19	19.5	18.5	16.5	12	7-353908-2	1-353908-2
0.17	18.0	17.0	15.0	11	7-353908-1	1-353908-1
0.16	16.5	15.5	13.5	10	7-353908-0	1-353908-0
0.14	15.0	14.0	12.0	9	6-353908-9	353908-9
0.13	13.5	12.5	10.5	8	6-353908-8	353908-8
0.13	12.0	11.0	9.0	7	6-353908-7	353908-7
0.10	10.5	9.5	7.5	6	6-353908-6	353908-6
0.09	9.0	8.0	6.0	5	6-353908-5	353908-5
0.07	7.5	6.5	4.5	4	6-353908-4	353908-4
0.06	6.0	5.0	3.0	3	6-353908-3	353908-3
0.04	4.5	3.5	1.5	2	6-353908-2	353908-2
WEIGHT (g)	C	B	A	Pos	BLUE	WHITE
	DIMENSIONS				P/N	

THIS DRAWING IS A CONTROLLED DOCUMENT.		DWN	H.HOSHINO	26.APR.'97	Tyco Electronics Corporation shanghai cn		
DIMENSIONS: mm		CHK	J.TANIGAWA	26.APR.'97	NAME		
TOLERANCES UNLESS OTHERWISE SPECIFIED:		APVD	S.KUBONOHI	10.MAR.'99	AMP MINI COMMON TERMINATED (CT) CONNECTOR 1.5mm PITCH HOUSING, CRIMP TYPE		
0 PLC ± -		PRODUCT SPEC		108-60025			
1 PLC ± -		APPLICATION SPEC		114-5245			
2 PLC ± -		SIZE	CAGE CODE	DRAWING NO	RESTRICTED TO		
3 PLC ± -		A3	00779	C-353908	-		
4 PLC ± -		MATERIAL		WEIGHT		SCALE	
ANGLES ± -		SEE SHEET 1		SEE SHEET 1		NON	
FINISH		CUSTOMER DRAWING		SHEET 2 OF 2		REV C1	