

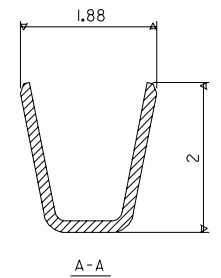
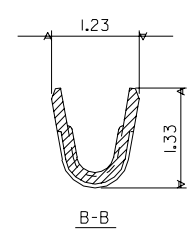
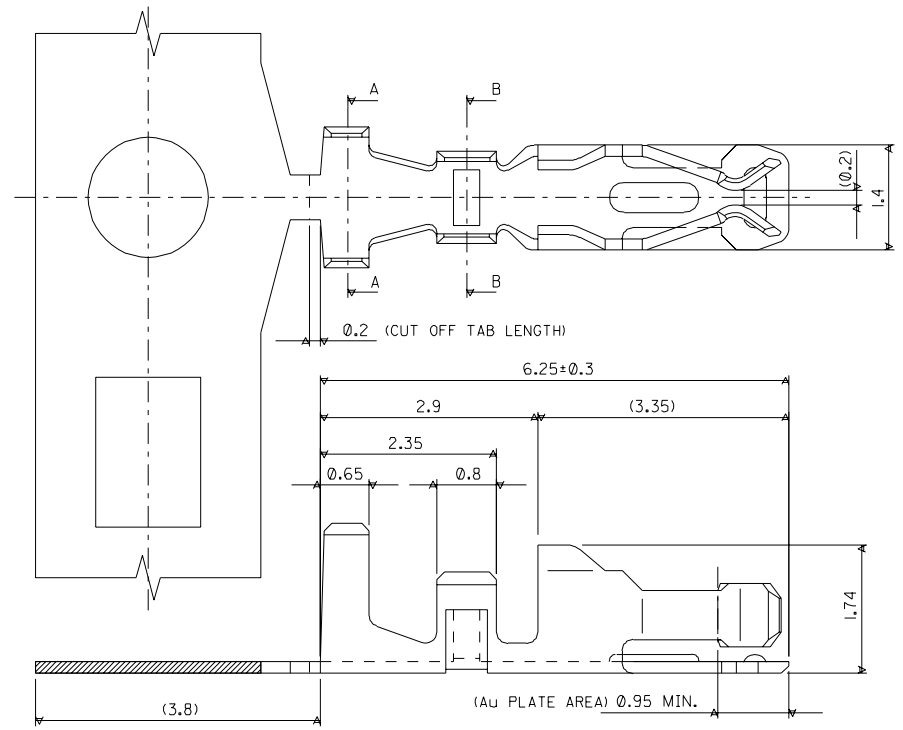
CAD FILE  
S50394T1.DGN

▽

DO NOT SCALE DRAWING

8 7 6 5 4 3 2 1

DWG. NO.  
SD 50394-8051



NOTES.

- 1. APPLICABLE HOUSING : 51110-\*\*\*1  
: 51110-\*\*\*5

0.38 Pd/Ni w/ GOLD FLASH	50394-8300	50394-8053
0.76	50394-8200	50394-8052
0.38	50394-8100	50394-8051
Au. PLATE THICK. (um MIN.)	FORM:LOOSE	FORM:CHAIN
ENG.No.		

				MATERIAL : PHOSPHOR BRONZE (THK=0.152)		<b>MOLEX SINGAPORE PTE LTD</b> SHEET 1 OF 1		
				FINISH :				
AI	ADD 0.38 Pd/Ni WITH GOLD FLASH AS PER PDR*98-01-0267 (ECN*S1998-0364)	-	SEE	980312	SEE NOTES		GENERAL TOLERANCES ± 0.20/008	REV A1
A	REL AS PER ECN*	S40519	SD	EDP	940420	DWG. NO. : SD 50394-8***		
LTR	REVISION RECORD	ECN	DR	CHK	DATE	DRAWN BY S.O. 940420	CHK'D BY EDPOH 940427	TITLE : 2.0mm GRID W TO B CONN. CRIMP TERMINAL
<b>REVISE ONLY ON CAD SYSTEM</b>								