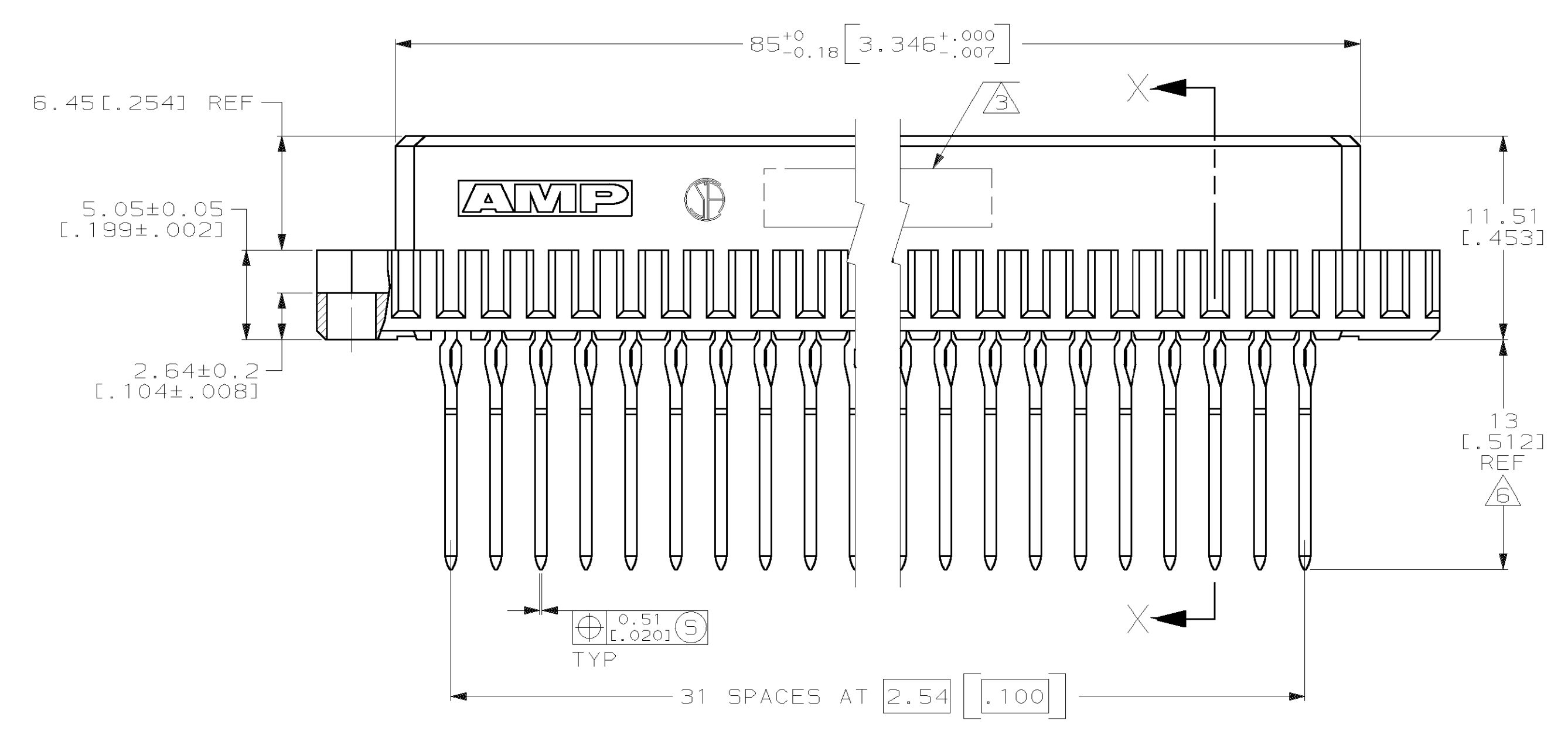
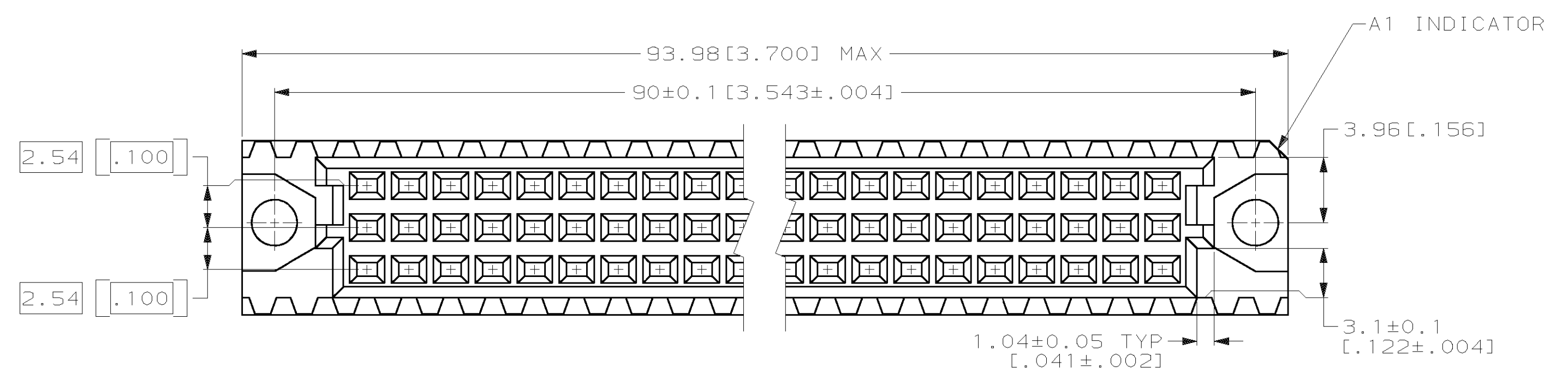
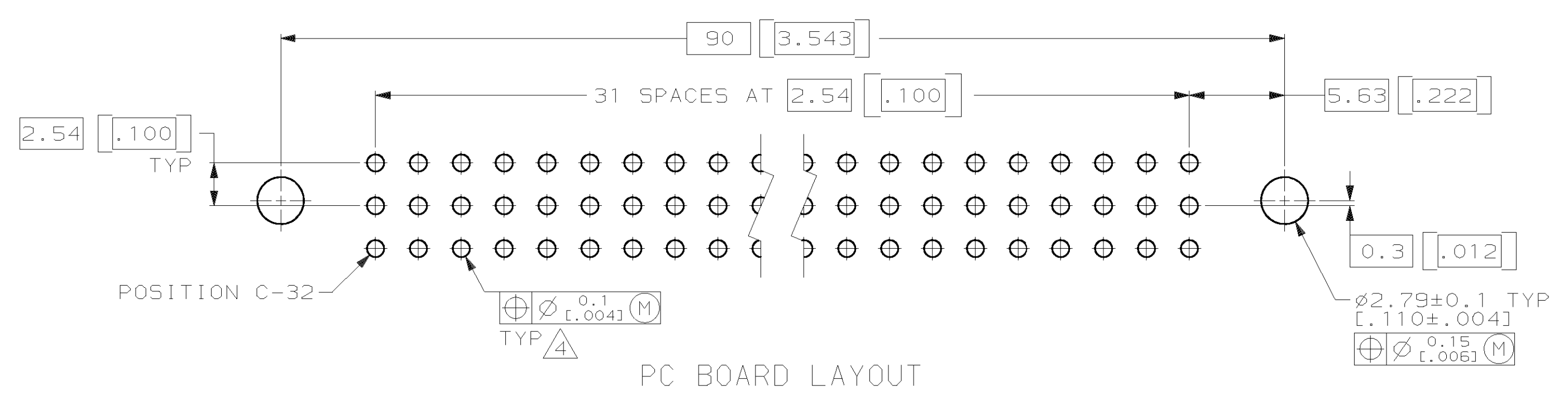
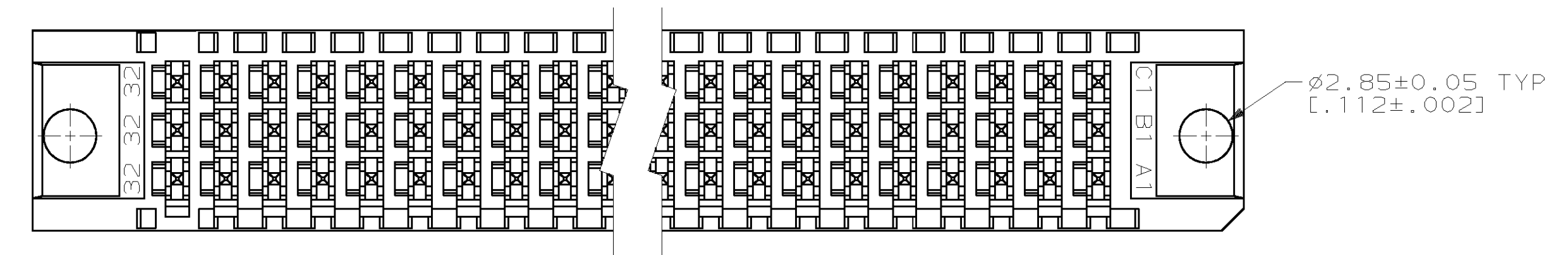
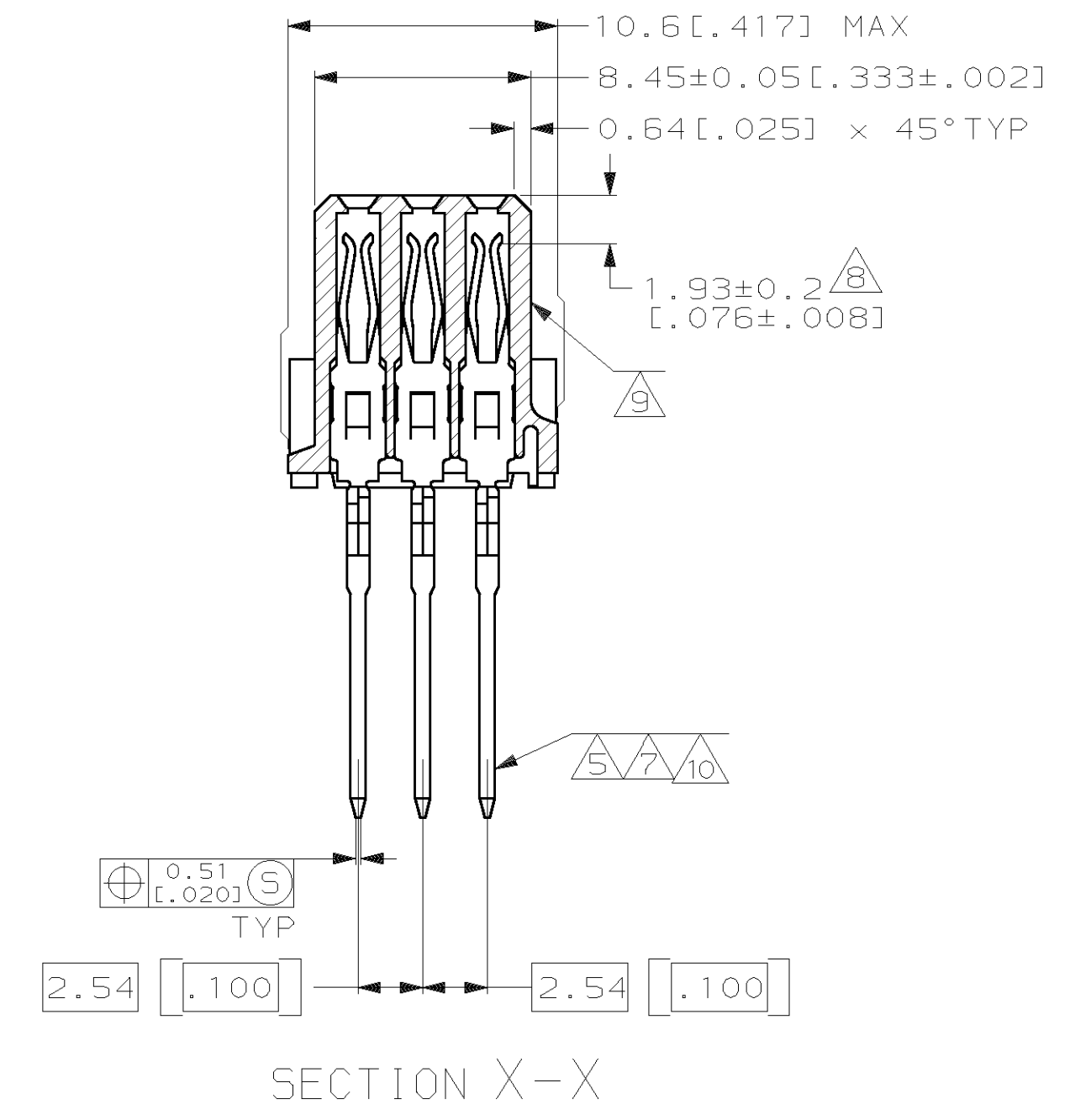


REVISIONS							
LOC	DIST	P	ZONE	LTR	DESCRIPTION	DATE	APPD
AD	25				REVISIONS		
				C	REVISED PER 0503-0580-97	9-26-97	JG
				D	PER EC 0620-0147-98 T.S.	6-4-98	CR
				E	REV PER EC 001B-0136-99	06 OCT 99	CR



- △ HOUSING MATERIAL: GLASS-FILLED POLYESTER. COLOR: GRAY.
- △ CONTACT MATERIAL: PHOSPHOR BRONZE.
- △ PART NUMBER AND DATE CODE HOT STAMPED IN THIS APPROXIMATE AREA.
- △ ACTION PIN POSTS REQUIRE 1.57[.062] MINIMUM THICK PC BOARD. RECOMMENDED PC BOARD DRILLED HOLES ARE 1.15±0.025[.0453±.0010] DIAMETER WITH 0.02-0.08[.001-.003] COPPER AND 0.008[.0003] MINIMUM TIN-LEAD PLATING. FINISHED HOLE AFTER PLATING IS 1.02±0.08[.040±.002] DIAMETER.
- △ CONTACT FINISH: DIN 41612 CLASS 2 IN CONTACT AREA. TIN-LEAD PLATE ON POSTS.
- △ TAIL LENGTH AFTER SEATING IN PC BOARD.
- △ CONTACT FINISH: DIN 41612 CLASS 2 IN CONTACT AREA AND LAST 5.08[.200] OF POST.
- △ CONTACT POINT AFTER SEATED IN PC BOARD.
- △ HOT STAMPING ON THIS SIDE.
- △ CONTACT FINISH: 0.00076[.000030] GOLD IN CONTACT AREA AND LAST 5.08[.200] OF POST. 0.00127[.000050] NICKEL UNDERPLATE ALL OVER.



DO NOT SCALE PRINT. UNLESS SPECIFIED DIMENSIONS IN mm [INCHES] TOLERANCES ON:		DR L. BRINER 7/26/94		AMP Incorporated Harrisburg, PA 17105-3608	
2 PLC DEC ±0.13[.005]		CHK R. PATTERSON 8/9/94			
3 PLC DEC ±		APPD R. PATTERSON 8/9/94		NAME	
ANGLES ±		APPD R. PATTERSON 8/9/94		RECEPTACLE ASSEMBLY, EUROCARD, TYPE "C"	
MATERIAL		PRODUCT SPEC		SIZE	
HOUSING: △		-		D 00779	
CONTACTS: △		-		CAGE CODE 00779	
FINISH		APPLICATION SPEC		DRAWING NO. G-148057	
CONTACTS: △△△		-		SCALE 4:1	
WEIGHT		-		SHEET 1 OF 1	

THIS DRAWING IS A CONTROLLED DOCUMENT FOR AMP INCORPORATED. IT IS SUBJECT TO CHANGE AND THE CONTROLLING ENGINEERING ORGANIZATION SHOULD BE CONTACTED FOR THE LATEST REVISION.