

SECTRON

'LITE-ON' TIME LAG SWITCH

TYPE KH1

The 'LITE-ON' electronic time lag switch type KH1 is designed to control both incandescent and fluorescent lamps, including economy lamps such as types 2D and PL. The timing period is adjustable from approximately 10 seconds to 10 minutes by means of a thumbwheel control.

The Timer can be used in a 2-wire system or in a Master and Slave system
NO NEUTRAL CONNECTION IS REQUIRED.

2-WIRE SYSTEM

In the 2-wire system the KH1 will replace a pneumatic time lag switch or an ordinary light switch without additional wiring, as shown in diagram 1.

ONLY THE BLACK TERMINAL BLOCK IS USED IN THIS SYSTEM

CONNECTING THE SUPPLY TO THE COLOURED TERMINAL BLOCK WILL CAUSE DAMAGE TO THE TIMER

If the push-button is deliberately wedged down in the ON position, the timer will still switch off after the timing period and all other timers in the circuit will continue to operate normally. (This only applies to 2-wire system)

MASTER AND SLAVES SYSTEM

In the Master and Slaves system several Slave Switches (momentary contact) are connected to one KH1 as shown in diagram 2.

THE COLOURED TERMINAL BLOCK MUST ONLY BE USED FOR SLAVE SWITCHES AND MUST NOT BE CONNECTED TO THE SUPPLY, AS THIS WILL CAUSE DAMAGE TO THE TIMER

IMPORTANT – WHEN THE POWER IS SWITCHED ON FOR THE FIRST TIME, A PERIOD OF 10 SECONDS MUST BE ALLOWED BEFORE OPERATING THE TIMERS.

RATING 10A Incandescent
6A Fluorescent

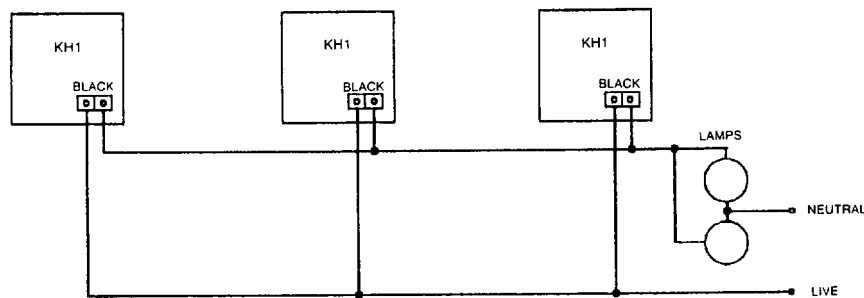


DIAGRAM 1 — 2 WIRE SYSTEM

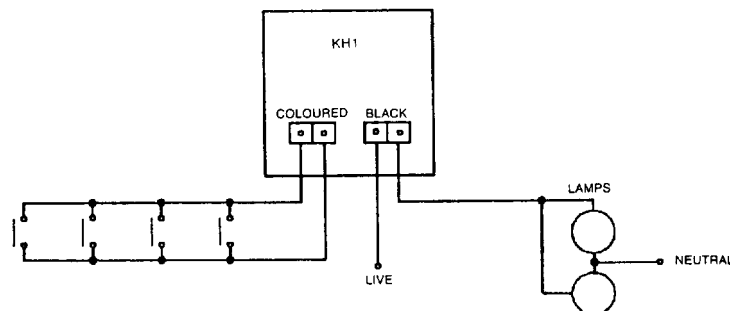


DIAGRAM 2 — MASTER AND SLAVES SYSTEM