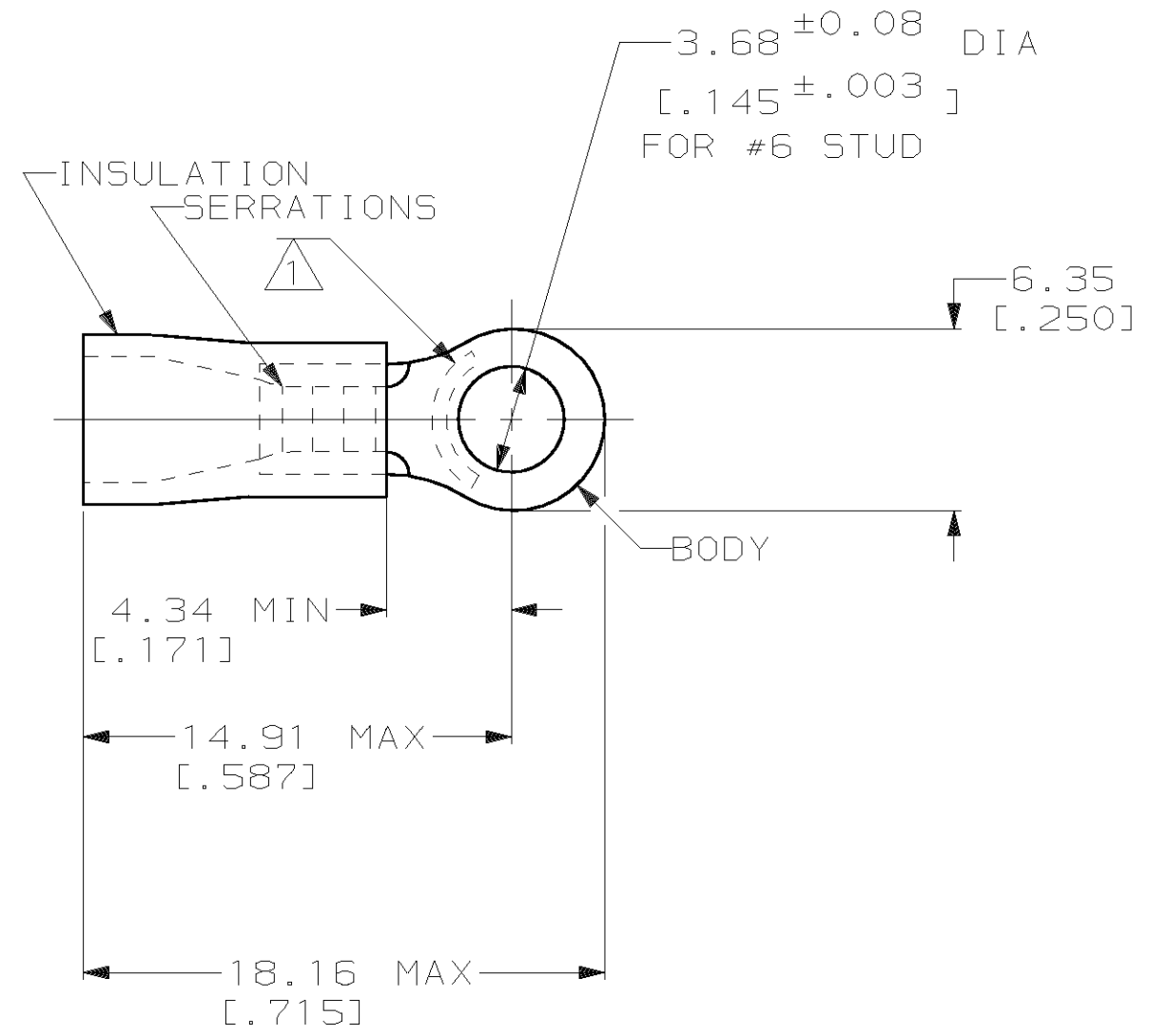


THIS DRAWING IS UNPUBLISHED. RELEASED FOR PUBLICATION, 19
 © COPYRIGHT 19 BY AMP INCORPORATED. ALL INTERNATIONAL RIGHTS RESERVED.

LOC	DIST	P	F	REVISIONS			DATE	APPD
G	14			ZONE	LTR	DESCRIPTION		
				G		ADDED -26 PER 0G3A-0319-00	06JUN00	SR TM

AMP WIRE RANGE	UL Listed	SR LR7189 Certified
16-14 AWG SOLID OR STRANDED	16-14 AWG SOLID OR STRANDED	16-14 AWG SOLID OR STRANDED



- ① STAMP AMP 16-14* APPROX AS SHOWN
- ② WIRE INSULATION DIA: .115-.170
- ③ TONGUE MATERIAL THK: 0.79±0.05 [0.031±.002]
- ④ SUPERSEDED BY 8-34158-1
- ⑤ PRELIMINARY - NOT FOR PRODUCTION.

QUANTITY	PACKAGE TYPE	PART NO
50	LOOSE PC, BAG	8-34158-5 ④
100	LOOSE PC, BOX	8-34158-1
1300	ON TAPE, REEL	2-34158-6 ⑤
5000	ON TAPE, REEL	2-34158-1
-	LOOSE PIECE	34158

AMP INCORPORATED CUSTOMER SERVICE SYSTEMS		MAX RECOMMENDED OPERATING TEMPERATURE: 90°C MAX	DO NOT SCALE PRINT. UNLESS SPECIFIED DIMENSIONS IN mm [INCHES] TOLERANCES ON: 2 PLC DEC ± 0.20[.008] 3 PLC DEC ± - ANGLES ± -	DR 08/06/92 DK SCHRUM CHK 11/10/92 RE HERSEY APPD 11/10/92 ML ELLIS APPD 11/10/92 M BARNABA	AMP AMP Incorporated Harrisburg, PA 17105-3608
FOR ADDITIONAL PRODUCT INFORMATION OR COPIES OF DRAWINGS AND TECHNICAL DOCUMENTS	PRODUCT INFORMATION CENTER 1-800-522-6752	VOLTAGE RATING: NOT APPLICABLE	MATERIAL COPPER PER ASTM B-152 PVC, COLOR, BLUE	PRODUCT SPEC 108-1034	
FOR APPLICATION TOOLING INFORMATION	TOOLING ASSISTANCE CENTER 1-800-722-1111	CIRCULAR MIL AREA: 1.04-2.62mm² [2,050-5,180] SOLID OR STRANDED	FINISH TIN PLATE PER MIL-T-10727	APPLICATION SPEC NOT AVAILABLE	NAME TERMINAL, RING TONGUE, PLASTI-GRIP™ WIRE SIZE, 16-14 AWG
FOR ORDER ENTRY	1-800-526-5142	THIS DRAWING IS A CONTROLLED DOCUMENT FOR AMP INCORPORATED. IT IS SUBJECT TO CHANGE AND THE CONTROLLING ENGINEERING ORGANIZATION SHOULD BE CONTACTED FOR THE LATEST REVISION.		WEIGHT -	SIZE B CAGE CODE 00779 DRAWING NO C-34158
					SCALE 4:1 SHEET 1 OF 1