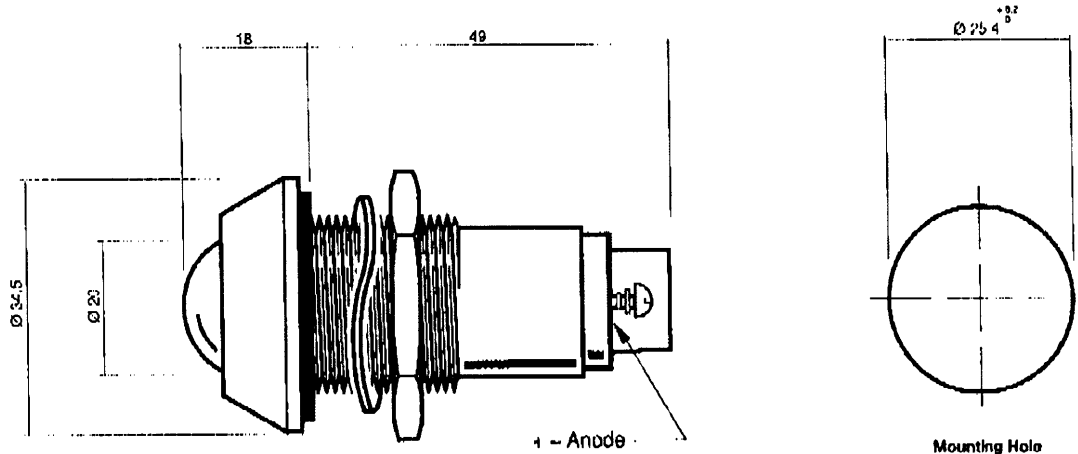


671 Series: | **Ø 25.4 mm Mounting Domed Lens (Six Chip LED)****NEW PRODUCT**

- Other DC and AC options available
- Bi-polar device
- RIA 12 approved versions available
- MLO 5
- Robust design for harsh environments
- Medium voltage options
- IP67 sealing
- MTBF 80,000 hrs



SCALE 1:1  
DIMENSIONS IN MM (TYPICAL)

Ordering information and technical characteristics ( $T_a = 25^\circ\text{C}$ )

Order code	Colour	Lens	Voltage AC/DC V <sub>opr</sub>	Current AC/DC I <sub>opr</sub>	Luminous Intensity I <sub>v</sub> @ I <sub>opr</sub>	Wave Length $\lambda_p$	Viewing Angle (Inclusive)	Operating Temp T <sub>opr</sub>	Storage Temp T <sub>stg</sub>
671 - 289 - 75	GaAlAs Red		110	20	305	660			
671 - 290 - 75	Red		110	20	180	635			
671 - 291 - 75	Yellow		110	20	160	585		-30	-30
671 - 292 - 75	Green	Coloured Diffused	110	20	155	565	180	to	to
671 - 289 - 70	GaAlAs Red		240 VAC	25	305	660		+40	+85
671 - 290 - 70	Red		240 VAC	25	180	635			
671 - 291 - 70	Yellow		240 VAC	25	160	585			
671 - 292 - 70	Green		240 VAC	25	155	565			
			V	mA	cd/m <sup>2</sup>	nm	deg	°C	°C