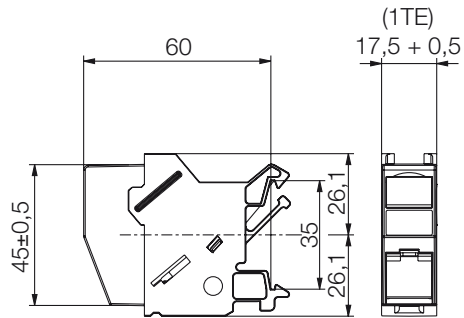


## Weidmüller IE-LINE RJ45

## Terminal rail outlets

- Cat.6
- IP 20
- TS35



RJ45



ST

## Terminal rail outlets

## Application:

Weidmüller mounting rail outlets should be your first choice in the switchgear cabinet when you need to connect

- installation cables,
- RJ45 cables,
- Fiber optic cable with ST connectors

## The differences:

- 8808360000: RJ45 module insert for connecting conductor from AWG26 to AWG22; color-coded acc. to EIA/TIA 568 A
- 8891980000: RJ45 module insert for connecting conductor from AWG26 to AWG22, color-coded acc. to EIA/TIA 568 B
- 8879050000: coupling insert RJ45 to RJ45
- 8808340000: coupling insert ST to ST

## Ordering data

## with Coupling

RJ45 - RJ45  
ST - ST

## with module insert

RJ45 module EIA/TIA 568 A  
RJ45 module EIA/TIA 568 B

Type	Order No.
IE-XM-RJ45/RJ45	8879050000
IE-XM-ST/ST	8808340000
IE-XM-RJ45/IDC	8808360000
IE-XM-RJ45/IDC-B	8891980000

## Accessories

Type	Order No.
Outlet marker	8813500000

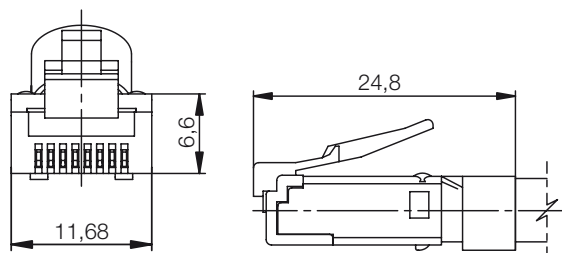
## Technical data

Category	Cat.6 (IEC 11801)
Protection class	IP 20
Housing material	PA 66; UL 94: V0
Color	light gray (RAL 7035)
Plugging cycles	750 plugging cycles for plugs to IEC 60603-7
Installation	for terminal rail TS35

Note:

## RJ45 connecting plug

- Cat.6
- with bending protection



## RJ45 connecting plug

### Application:

Weidmüller's RJ45 connectors help you to assemble your cable, whether they are from solid or flexible conductors.

### Variations:

- 8813110000: connector with bending protection sleeve; Cable clamping range from 5.5 to 6.2 mm
- 8881320000: connector with kink-prevention sleeve; Cable clamping range from 6.2 to 7.1 mm

## Ordering data

Plug	Type	Order No.
With kink prevention; 5.5 - 6.2 mm	IE-P63	8813110000
With kink prevention; 6.2 - 7.1 mm	IE-P70	8813120000

## Accessories

tools	Type	Order No.
Crimping tool	TT 8 RS MP 8	9202800000
<b>Note</b>	See also the "Accessories" chapter.	

## Technical data

Category	Cat.6 (IEC 11801)
Protection class	IP 20
bending protection / Locking lever catch	Yes
Stranded cable diameter, Flexible, min. / max.	0.46 mm / 0.61 mm
Cable strand diameter, flexible, min. / max.	AWG 27/7 / AWG 24/7
Solid wire diameter, min. / max.	0.36 mm / 0.51 mm
Solid wire diameter, min. / max.	AWG 27/1 / AWG 24/1
Plug to IEC 60603-7-5 (standard)	Yes, tested to 250 MHz
Bending protection sleeve material	Polyamide PA6, UL94-VO
Material of insulating parts	PC UL 94 V-0
Contact material	Phosphorus bronze
Contact surface	gold-plated
Shielding material	0.5 mm brass, 2 µm nickel
Plugging cycles	750 plugging cycles for plugs to IEC 60603-7
Cable pull-out force, min.	89 N
Insertion force, max.	20 N
Operating temperature, min. / max.	-40 °C / 70 °C
Contact resistance, max.	20 mΩ
Insulation resistance, min.	500 MΩ
Dielectric strength, contact - contact	1000 V DC
Dielectric strength, contact - shield	1500 V DC
Operating current at 50°C	1 A

**Note:**