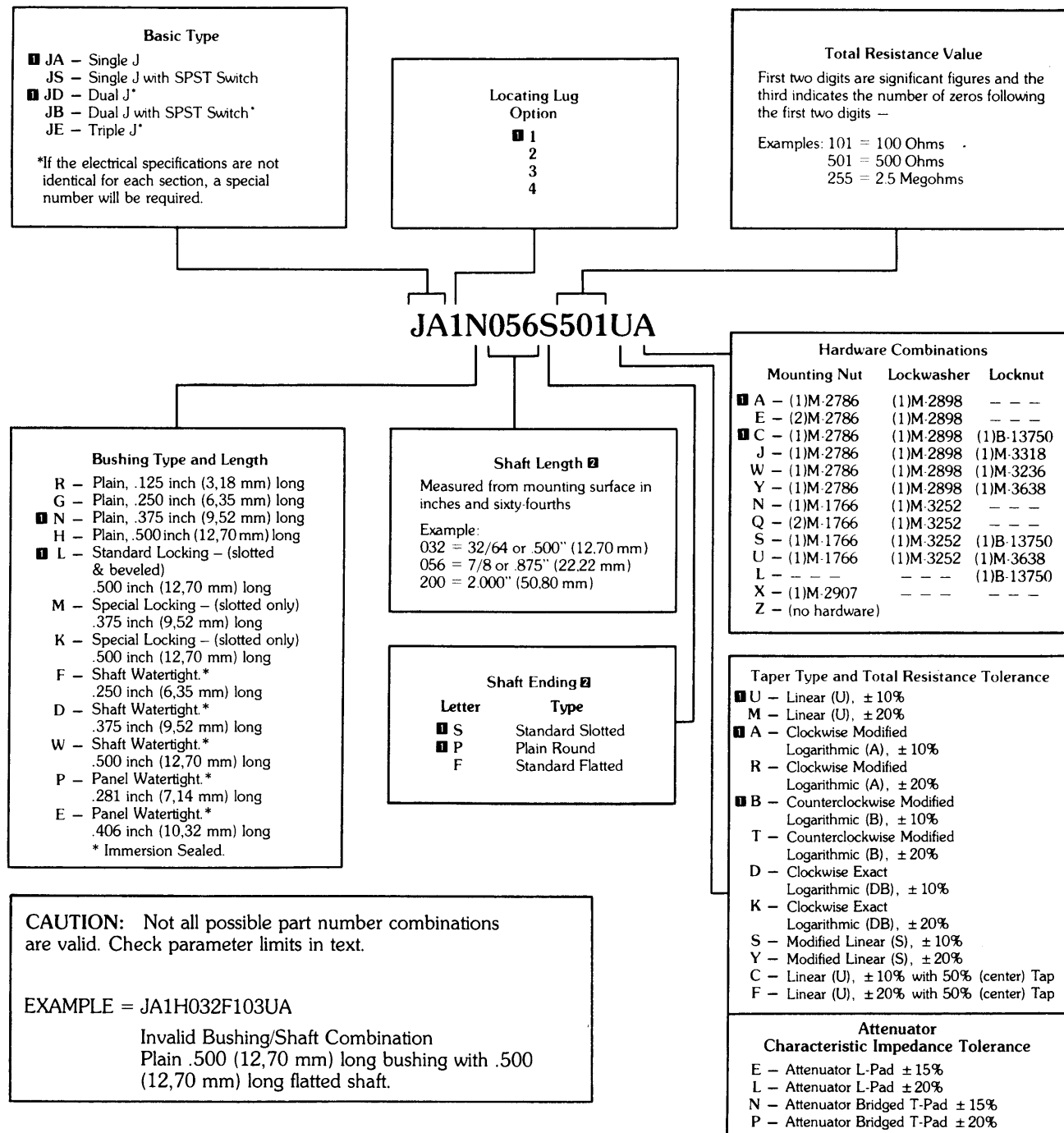


Hot-Molded Panel Potentiometers

Explanation of Part Numbers



① THESE CONFIGURATIONS ARE AVAILABLE AS A SPECIAL ORDER ONLY.

② CONCENTRIC AND SPECIAL SHAFTS REQUIRE SPECIAL PART NUMBERS ISSUED BY THE FACTORY.

Available Catalog Order Number Values

Type J

Taper	"U" Linear												Non-Linear			
	Dual J											"A"	"B"			
Basic Type	Single J												Single J			
	Bushing Length, Inches	Bushing Type	Shaft Length, Inches	Shaft Ending	Resistance (ohms)	Code	JAI	JAL	JAS	JAT	JAV	JAV	JAV	JAV	JAV	JAV
100	1/4	Plain	5/8	Slot	101	JAIN	JAIN	JAIN	JAIN	JAIN	JAIN	JAIN	JAIN	JAIN	JAIN	JAIN
1,000	1/4	Lock	5/8	Slot	102	JAIN	JAIN	JAIN	JAIN	JAIN	JAIN	JAIN	JAIN	JAIN	JAIN	JAIN
10,000	1/4	Plain	5/8	Slot	103	JAIN	JAIN	JAIN	JAIN	JAIN	JAIN	JAIN	JAIN	JAIN	JAIN	JAIN
100,000	1/4	Plain	5/8	Slot	104	JAIN	JAIN	JAIN	JAIN	JAIN	JAIN	JAIN	JAIN	JAIN	JAIN	JAIN
1,000,000	1/4	Plain	5/8	Slot	105	JAIN	JAIN	JAIN	JAIN	JAIN	JAIN	JAIN	JAIN	JAIN	JAIN	JAIN
150	1/4	Plain	5/8	Slot	151	JAIN	JAIN	JAIN	JAIN	JAIN	JAIN	JAIN	JAIN	JAIN	JAIN	JAIN
1,500	1/4	Plain	5/8	Slot	152	JAIN	JAIN	JAIN	JAIN	JAIN	JAIN	JAIN	JAIN	JAIN	JAIN	JAIN
15,000	1/4	Plain	5/8	Slot	153	JAIN	JAIN	JAIN	JAIN	JAIN	JAIN	JAIN	JAIN	JAIN	JAIN	JAIN
150,000	1/4	Plain	5/8	Slot	154	JAIN	JAIN	JAIN	JAIN	JAIN	JAIN	JAIN	JAIN	JAIN	JAIN	JAIN
200	3/8	Plain	2	Slot	201	JAIN	JAIN	JAIN	JAIN	JAIN	JAIN	JAIN	JAIN	JAIN	JAIN	JAIN
2,000	3/8	Plain	2	Slot	202	JAIN	JAIN	JAIN	JAIN	JAIN	JAIN	JAIN	JAIN	JAIN	JAIN	JAIN
20,000	3/8	Plain	2	Slot	203	JAIN	JAIN	JAIN	JAIN	JAIN	JAIN	JAIN	JAIN	JAIN	JAIN	JAIN
200,000	3/8	Plain	2	Slot	204	JAIN	JAIN	JAIN	JAIN	JAIN	JAIN	JAIN	JAIN	JAIN	JAIN	JAIN
2,000,000	3/8	Plain	2	Slot	205	JAIN	JAIN	JAIN	JAIN	JAIN	JAIN	JAIN	JAIN	JAIN	JAIN	JAIN
250	3/8	Plain	2	Slot	251	JAIN	JAIN	JAIN	JAIN	JAIN	JAIN	JAIN	JAIN	JAIN	JAIN	JAIN
2,500	3/8	Plain	2	Slot	252	JAIN	JAIN	JAIN	JAIN	JAIN	JAIN	JAIN	JAIN	JAIN	JAIN	JAIN
25,000	3/8	Plain	2	Slot	253	JAIN	JAIN	JAIN	JAIN	JAIN	JAIN	JAIN	JAIN	JAIN	JAIN	JAIN
250,000	3/8	Plain	2	Slot	254	JAIN	JAIN	JAIN	JAIN	JAIN	JAIN	JAIN	JAIN	JAIN	JAIN	JAIN
2,500,000	3/8	Plain	2	Slot	255	JAIN	JAIN	JAIN	JAIN	JAIN	JAIN	JAIN	JAIN	JAIN	JAIN	JAIN
350	3/8	Plain	2	Slot	351	JAIN	JAIN	JAIN	JAIN	JAIN	JAIN	JAIN	JAIN	JAIN	JAIN	JAIN
3,500	3/8	Plain	2	Slot	352	JAIN	JAIN	JAIN	JAIN	JAIN	JAIN	JAIN	JAIN	JAIN	JAIN	JAIN
35,000	3/8	Plain	2	Slot	353	JAIN	JAIN	JAIN	JAIN	JAIN	JAIN	JAIN	JAIN	JAIN	JAIN	JAIN
350,000	3/8	Plain	2	Slot	354	JAIN	JAIN	JAIN	JAIN	JAIN	JAIN	JAIN	JAIN	JAIN	JAIN	JAIN
3,500,000	3/8	Plain	2	Slot	355	JAIN	JAIN	JAIN	JAIN	JAIN	JAIN	JAIN	JAIN	JAIN	JAIN	JAIN
50	3/8	Plain	2	Slot	500	JAIN	JAIN	JAIN	JAIN	JAIN	JAIN	JAIN	JAIN	JAIN	JAIN	JAIN
500	3/8	Plain	2	Slot	501	JAIN	JAIN	JAIN	JAIN	JAIN	JAIN	JAIN	JAIN	JAIN	JAIN	JAIN
5,000	3/8	Plain	2	Slot	502	JAIN	JAIN	JAIN	JAIN	JAIN	JAIN	JAIN	JAIN	JAIN	JAIN	JAIN
50,000	3/8	Plain	2	Slot	503	JAIN	JAIN	JAIN	JAIN	JAIN	JAIN	JAIN	JAIN	JAIN	JAIN	JAIN
500,000	3/8	Plain	2	Slot	504	JAIN	JAIN	JAIN	JAIN	JAIN	JAIN	JAIN	JAIN	JAIN	JAIN	JAIN
5,000,000	3/8	Plain	2	Slot	505	JAIN	JAIN	JAIN	JAIN	JAIN	JAIN	JAIN	JAIN	JAIN	JAIN	JAIN
750	3/8	Plain	2	Slot	751	JAIN	JAIN	JAIN	JAIN	JAIN	JAIN	JAIN	JAIN	JAIN	JAIN	JAIN
7,500	3/8	Plain	2	Slot	752	JAIN	JAIN	JAIN	JAIN	JAIN	JAIN	JAIN	JAIN	JAIN	JAIN	JAIN
75,000	3/8	Plain	2	Slot	753	JAIN	JAIN	JAIN	JAIN	JAIN	JAIN	JAIN	JAIN	JAIN	JAIN	JAIN
750,000	3/8	Plain	2	Slot	754	JAIN	JAIN	JAIN	JAIN	JAIN	JAIN	JAIN	JAIN	JAIN	JAIN	JAIN

1 Dual J potentiometers have the same resistance value and taper in each element.

2 "Code" as listed in the table above represents the Clarostat potentiometer part number in three segments. The listings in the horizontal row to the right of the "Code" heading are the prefix. The listings in the vertical column below the "Code" heading are the middle segment. The letter representing the taper, listed in the top horizontal row, is the suffix. All three segments must be added together to form a part number. Refer to Page 194 for additional explanation of Part Numbers.

- 3 For the Style RV4 Military Version add the desired ohmic code number to RV4LAYSA--A in place of the dashes.
- 4 For the Style RV4 Military Version add the desired ohmic code number to RV4NAVSB--A in place of the dashes.
- 5 For the Style RV4 Military Version add the desired ohmic code number to RV4NAVSD--A in place of the dashes.
- 6 For the Style RV4 Military Version add the desired ohmic code number to RV4NAVSB--C in place of the dashes.

- = Available as a Special Order only. Contact factory for information.
 * = Not Available.

TABLE 1 - BUSHING/RESISTANCE/TAPER COMBINATIONS

Taper		"U" Linear Taper				Non-Linear	
						"A"	"B"
Bushing Length, Inches		1/4	3/8	1/2	2nd-3rd Decks	3/8	3/8
Bushing Type		Plain	Plain	Lock.		Plain	Plain
Resistance (ohms)	Code						
100	101	-	-	-	-	*	*
1,000	102	-	-	-	-	-	-
10,000	103	-	-	-	-	-	-
100,000	104	-	-	-	-	-	-
1,000,000	105	-	-	-	-	-	-
150	151	-	-	-	-	*	*
1,500	152	-	-	-	-	-	-
15,000	153	-	-	-	-	-	-
150,000	154	-	-	-	-	-	-
200	201	-	-	-	-	*	*
2,000	202	-	-	-	-	-	-
20,000	203	-	-	-	-	-	-
200,000	204	-	-	-	-	-	-
2,000,000	205	-	-	-	-	-	-
250	251	-	-	-	-	-	-
2,500	252	-	-	-	-	-	-
25,000	253	-	-	-	-	-	-
250,000	254	-	-	-	-	-	-
2,500,000	255	-	-	-	-	-	-
350	351	-	-	-	-	-	-
3,500	352	-	-	-	-	-	-
35,000	353	-	-	-	-	-	-
350,000	354	-	-	-	-	-	-
3,500,000	355	-	-	-	-	-	-
50	500	-	-	-	-	*	*
500	501	-	-	-	-	-	-
5,000	502	-	-	-	-	-	-
50,000	503	-	-	-	-	-	-
500,000	504	-	-	-	-	-	-
5,000,000	505	-	-	-	-	-	-
750	751	-	-	-	-	-	-
7,500	752	-	-	-	-	-	-
75,000	753	-	-	-	-	-	-
750,000	754	-	-	-	-	-	-

TABLE 2 - BUSHING/SHAFT LENGTH COMBINATIONS

Bushing Length Inches		1/4		3/8		1/2	
		Plain	Slot.	Plain	Slot.	Plain	Slot.
Shaft Length (Inches)	Code						
3/8	024	*	-	*	*	*	*
1/2	032	-	-	*	-	*	*
5/8	040	-	-	-	-	*	A
3/4	048	-	-	-	-	-	-
7/8	056	-	-	-	-	-	-
1	100	-	-	-	-	-	-
1-1/4	116	-	-	-	-	-	-
2	200	-	-	-	-	-	-

- = Available as a Special Order only. Contact factory for information.
* = Not Available.

1. Type (Single, dual or triple).
2. Taper (each element on multi-section controls).
3. Total resistance value (each element on multi-section controls) in ohms.
4. Bushing type (plain, locking, shaft watertight, or panel and shaft watertight).
5. Bushing length in inches.
6. Shaft ending (plain, slotted, flattened, or special).
7. Shaft length from mounting surface in inches.
8. Switch required?
9. Locating lug option (1,2,3 or 4).
10. Mounting hardware (A-B Standard or Other).
11. Part number you have assigned, if any.
12. Marking required on the part.
13. Special features.* (Includes concentric shafts, non-standard tapers, etc.)

*Forward complete detailed specifications to the factory.

Cross-Reference Guide

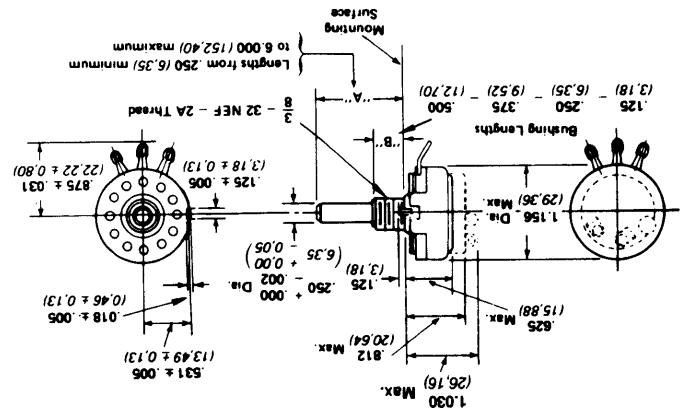
Description	A-B Type J	Clarostat Type 380	PEC Type K	Panasonic Type EV/EW
Single	■	■	■	■
Single w/Switch	■	■	■	
Dual Tandem	■	■	■	■
Dual w/Switch	■	■	■	
Triple Tandem	■	■	■	■
Concentric	■	■		■
MIL RV4	■	■	■	
MIL 2RV7	■	■	■	

■ = Available.

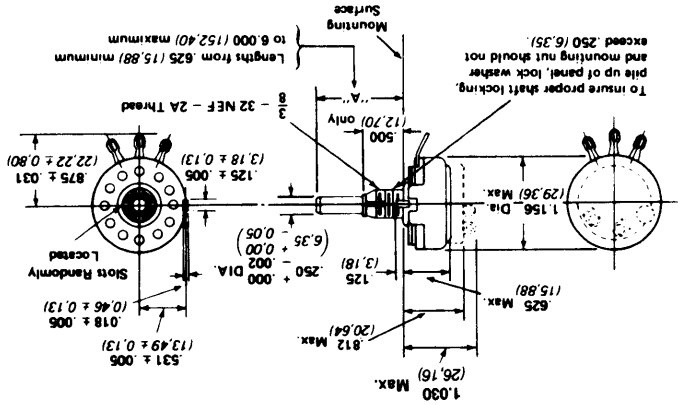
DIMENSIONS

Single Section Resistors

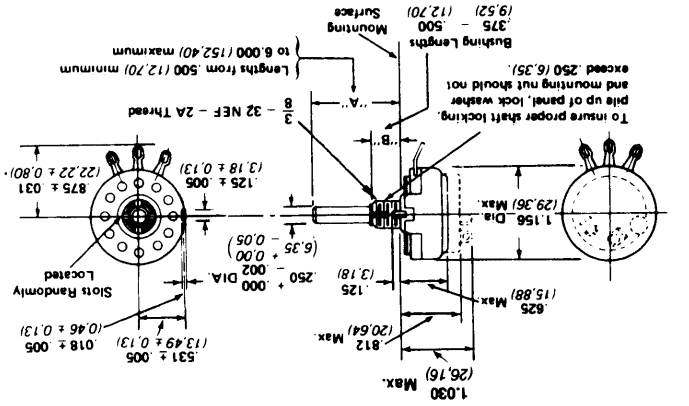
With or Without Switch
Plain Shaft Ending
With Plain Bushing or Shaft Watertight Bushing



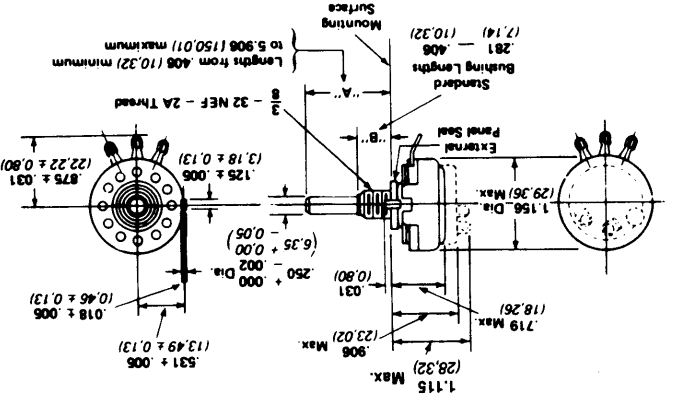
With or Without Switch
Plain Shaft Ending
With Standard Locking Bushing



With or Without Switch
Plain Shaft Ending
With Special Locking Bushing
(For Use with Jam Nut M-3638)



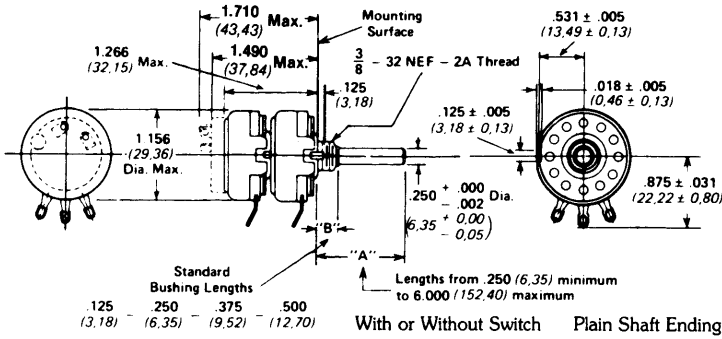
With or Without Switch
Plain Shaft Ending
With Panel Watertight Bushing



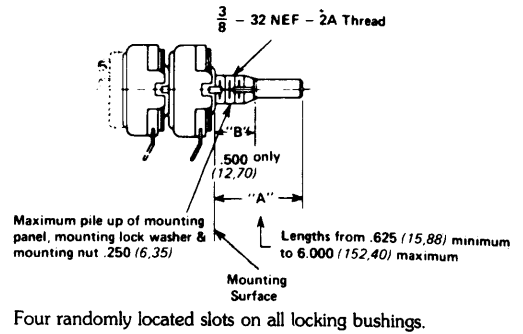
DIMENSIONS

Dual Section Resistors

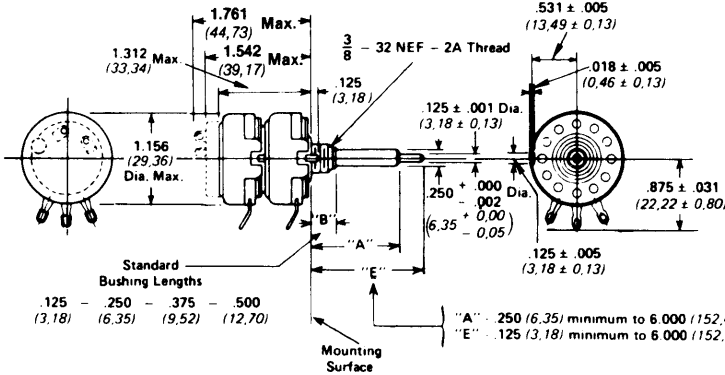
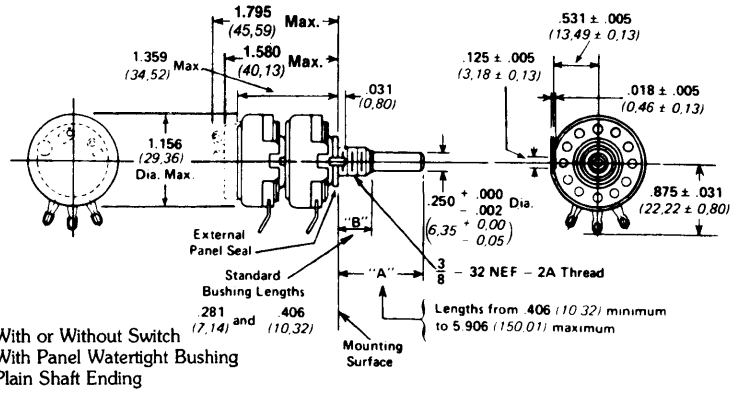
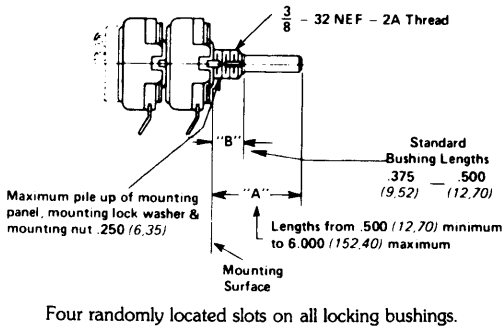
Plain or Shaft Watertight Bushing



Standard Locking Bushing



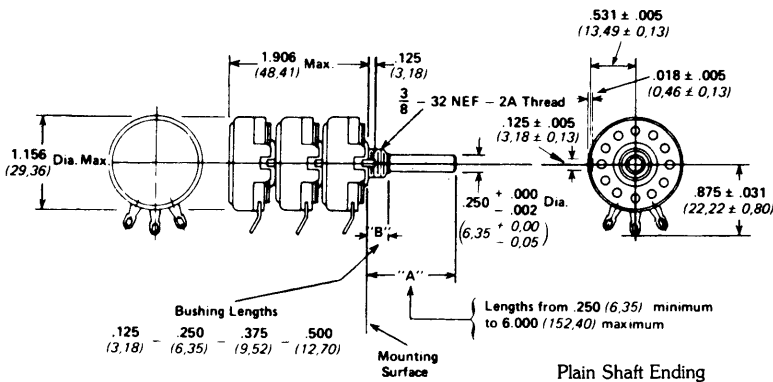
Special Locking Bushing (For Use with Jam Nut M-3638)



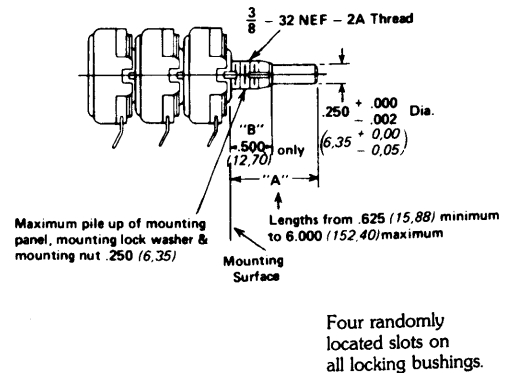
With or Without Switch
Separate concentric Shafts for Independent Operation of Each Resistor
Outer Shaft Operates Panel Section
Inner Shaft Operates Switch and Rear Section
Plain Shaft Ending

Triple Section Resistors

Plain or Shaft Watertight Bushing

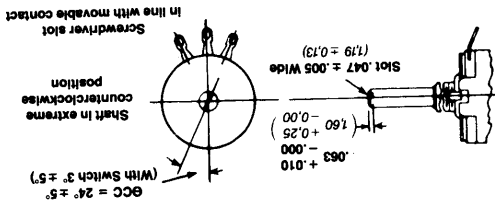


Standard Locking Bushing

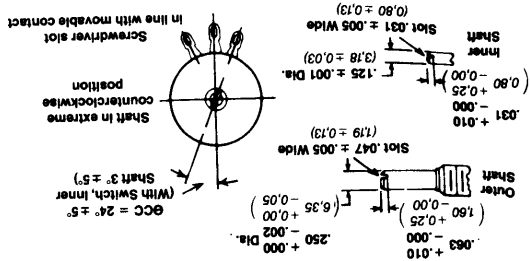


All .250 (.635) diameter shafts supplied with maximum chamfer .031 (0,80) x 45° at the shaft end.
 All .125 (.318) diameter shafts supplied with maximum chamfer .016 (0,40) x 45° at the shaft end.

Dimensions for resistors with solid shafts.

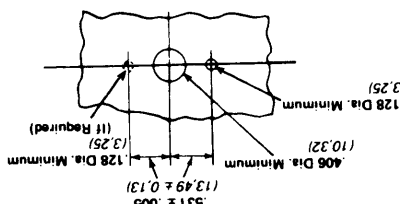


Dimensions for resistors with concentric shafts.

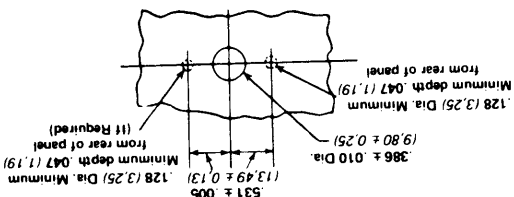


Standard Slotted Shaft Ending

Mounting dimensions for resistors with plain bushings, shaft watertight bushings, and locking bushings.



Mounting dimension for resistor with panel watertight bushings.

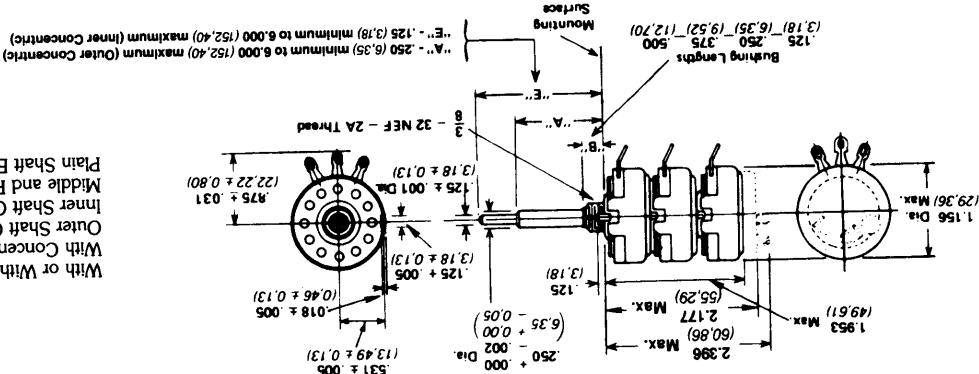


Mounting Holes

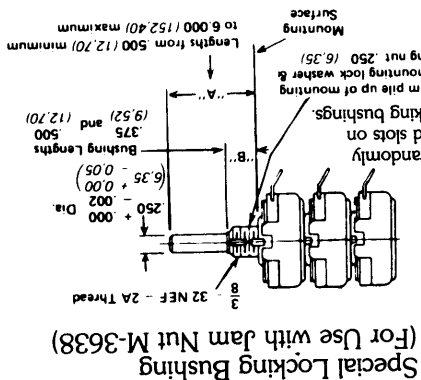
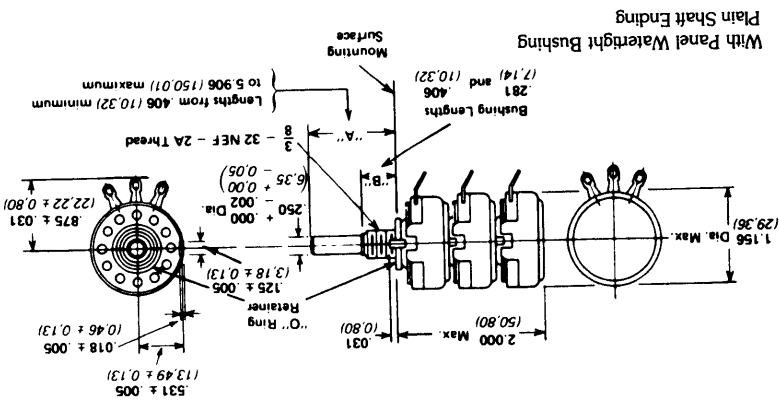
Basic dimensions in inches.
 Dimensions shown in parentheses are in millimeters.

DIMENSIONS COMMON TO ALL UNITS

TOLERANCES
 Dimensional tolerance ±.016 (0,40)
 Angular tolerance ±5°
 Except as specified.
NOT TO SCALE



With or Without Switch
 Outer Shaft Operates Panel Section
 Inner Shaft Operates Switch,
 Middle and Rear Sections
 Plain Shaft Ending

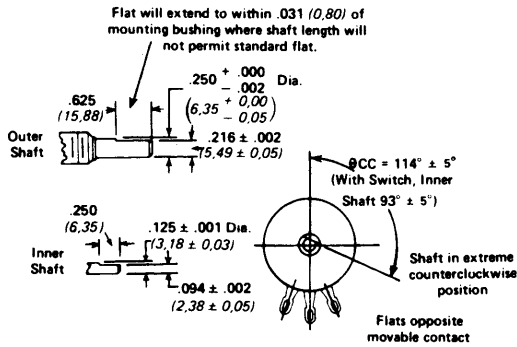


Special Locking Bushing (For Use with Jam Nut M-3638)
 Four randomly located slots on all locking bushings.
 Maximum pile up of mounting panel, mounting lock washer & bushing nut 250 (6,35).
 Lengths from 500 (12,70) minimum to 6000 (152,40) maximum

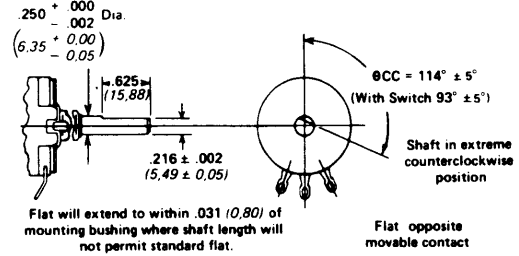
Triple Section Resistors DIMENSIONS

DIMENSIONS COMMON TO ALL UNITS

Standard Flatted Shaft Ending



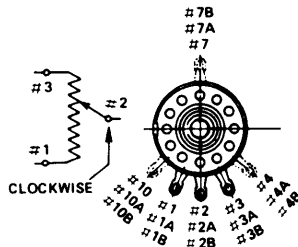
Dimensions for resistors with concentric shafts.



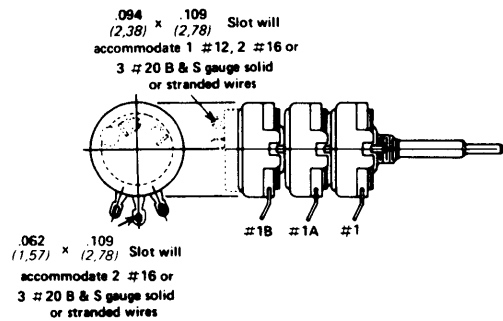
All .250 (6,35) diameter shafts supplied with maximum chamfer .031 (0,80) x 45° at the shaft end.

All .125 (3,18) diameter shafts supplied with maximum chamfer .016 (0,40) x 45° at the shaft end.

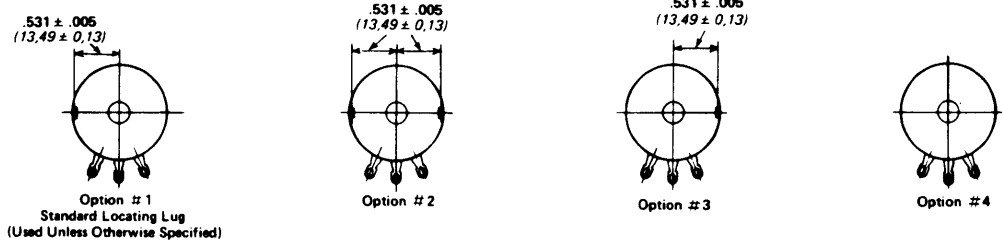
Terminal Connections to Resistance Elements



- #1 Extreme Counterclockwise End
 - #2 Movable Contact Brush
 - #3 Extreme Clockwise End
 - #4 Tap 65% Effective or Special Between 50% and 100%
 - #7 Tap 50% Effective Clockwise
 - #10 Tap 35% Effective Clockwise or Special Between 0 and 50%
- Tap Location Tolerances ± 3%



Locating Lug Options



Mounting Hardware

When specified, any of the hardware illustrated can be supplied.

