



Product catalog | High speed | FCI Basics+ | About FCI | Latest News | Employment

**Interactive product catalog**

**BergStik® Header Straight, 2.54 mm**

- Customer drawing
- Product specification

77311-818-36



**FCI basics**

**QUICK SHIP  
SAMPLES**

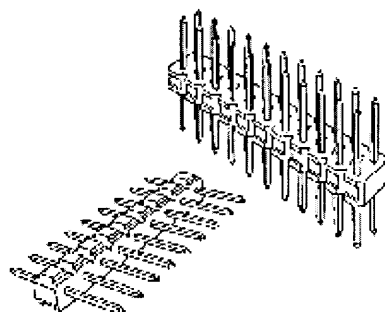
**SEARCH BY :**

→ Part number

- Product type
- Application
- Industry standard
- Product tradename
- Cross reference
- Alphabetic list
- Application tooling
- Catalog keyword

- Fiber optics
- Systems & Assemblies
- Custom products
- Product literature
- Technical library

BergStik® Headers



4129428

**Features Selected**

<b># of Rows</b>	1
<b># of Positions per Row</b>	36
<b>Mounting Style</b>	Board thru-mount
<b>Plating Specification</b>	Selective gold plated, class 3
<b>Mating Length</b>	5.84 mm (0.230 in.)
<b>Tail Length</b>	3.05 mm (0.120 in.)

**Other Properties**

<b>PCB Retention Feature</b>	no
<b>Orientation</b>	Straight
<b>Body Style</b>	Single body
<b>Board Attachment</b>	Solder-to-Board
<b>Packaging Type</b>	Bag
<b>Housing Material</b>	PCT
<b>Color</b>	Black
<b>Applicable Soldering Processes</b>	According IEC-682-20
<b>Contact Base Material</b>	Copper alloy
<b>Insulation Resistance</b>	10000 M ohms
<b>Withstanding Voltage</b>	1500 V ac rms
<b>Current Rating</b>	3 amp max.
<b>Retention Force</b>	9 N (0.9 kgf) min. in one direction
<b>Temperature Range</b>	-65 °C to +125 °C
<b>Application Equipment</b>	HT 115 Ht 320
<b>Trademark</b>	BergStik®
<b>Approvals &amp; Certification</b>	UL and CSA approved
<b>Literature</b>	NL Basic 07 01 E

[Back](#)

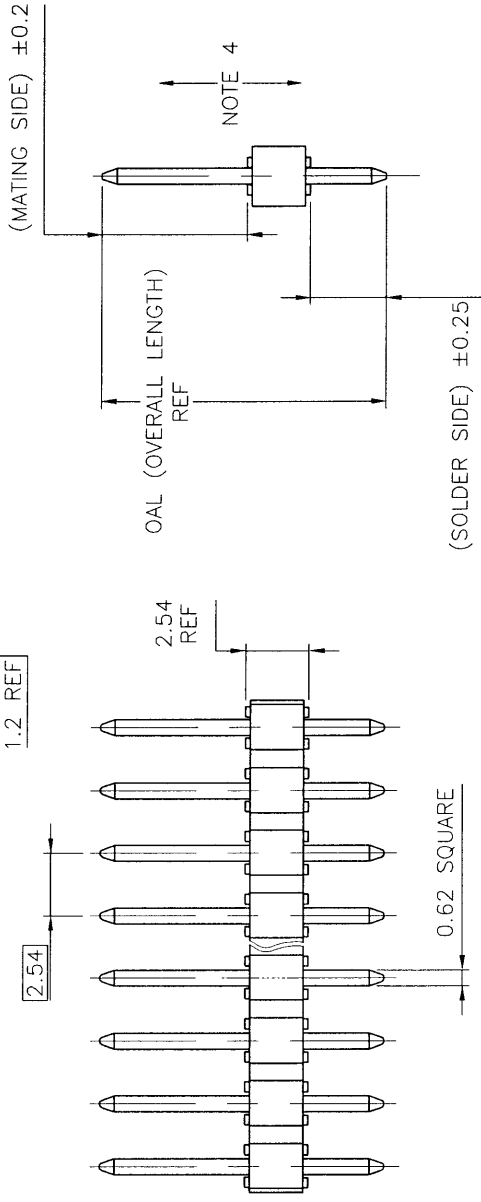
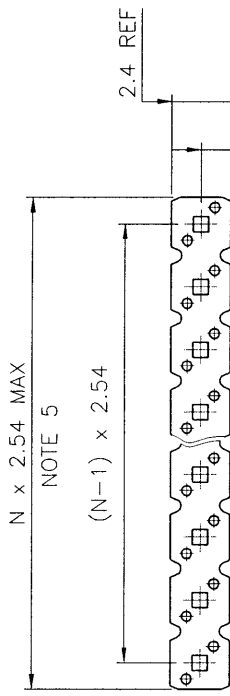
t

PRODUCT NUMBER

77311-YXX-XX

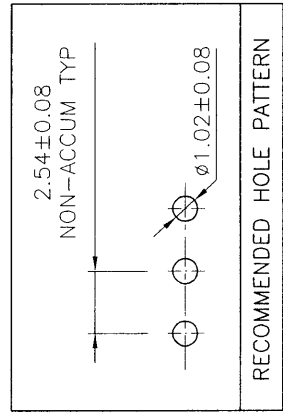
- 1 - TOTAL NB OF POSITIONS 02 TO 36
- 2 - PIN STYLE SEE SHEET 2
- 3 - PLATING SEE SHEET 2

Tous droits réservés. Reproduction ou communication sans autorisation écrite de FCI Electronics S.A. Toute réimpression ou utilisation non autorisée sans la permission écrite de FCI Electronics S.A. est formellement interdite.



NOTES:

- 1 - HOUSING MAT'L : HIGH TEMPERATURE THERMOPLASTIC. UL94V-0 COLOR: BLACK
- 2 - PIN MATERIAL : PHOSPHOR BRONZE
- 3 - PRODUCT PACKAGED IN POLY BAGS.
- 4 - 9N MIN RETENTION IN EITHER DIRECTION
- 5 - TO DETERMINE DIMENSIONS :  
N = NUMBER OF POSITIONS  
EXAMPLE : 8 POS N x 2.54 = 20.32mm



mat'l. code		tolerances unless otherwise specified		CUSTOMER COPY		ELECTRONICS	
ltr	ecrn no	dr	date	projection	title	product family	code
AH	F80362	VMU	98.06.16	linear	UNSHR.HEADER	BURGSTIK	213
AJ	F10119	DLE	01.01.24	mm	STR SR JMT	no	sheet
AK	F10316	LMU	01.05.15	angles			1 of 2
AL	F10381	LMU	01.07.25	dr			
AM	F10397	LMU	01.08.16	engr			
				chr			
				JM.C			
				JF.N			
sheet	revision	AM	AJ	scale			
index	sheet	1	2	5:1	A3	77311	

CORE RANGE			
PLATING	PIN STYLE	MATING	SOLDER
1	01	5.84	2.41
1	18	5.84	3.05

OAL 10.8  
11.43

PLATING  
1 = 0.76µm GOLD ON CONTACT AREA  
3.81µm TIN/LEAD ON TAIL

CATALOGUE RANGE			
PLATING	PIN STYLE	MATING	SOLDER
4/8	01	5.84	2.41
1/4/8	02	5.84	3.42
4/8	18	5.84	3.05
1/4/8	22	7.75	3.05
1/4/8	24	6.75	2.9
1/4/8	27	6.6	2.65

OAL 10.8  
11.8  
11.43  
13.35  
12.2  
11.8

PLATING  
1 = 0.76µm GOLD ON CONTACT AREA  
3.81µm TIN-LEAD ON TAIL  
4 = 3.81µm TIN-LEAD ON CONTACT AREA  
AND ON TAIL  
8 = 0.38µm GOLD ON CONTACT AREA  
3.81µm TIN-LEAD ON TAIL

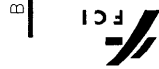
APPLICATION SPECIFIC			
PLATING	PIN STYLE	MATING	SOLDER
1/4/8	20	15.37	3.04
1/4/8	26	15.57	2.84
1/4/8	29	17.5	3.46
1/4/8	32	10.3	3.05
1/4/8	38	5.84	3.82
1/4/8	85	5.72	8.51

OAL 20.95  
20.95  
23.5  
15.9  
12.2  
16.76

PLATING  
1 = 0.76µm GOLD ON CONTACT AREA  
3.81µm TIN-LEAD ON TAIL  
4 = 3.81µm TIN-LEAD ON CONTACT AREA  
AND ON TAIL  
8 = 0.38µm GOLD ON CONTACT AREA  
3.81µm TIN-LEAD ON TAIL

Tous droits réservés. Toute réimpression ou reproduction sans autorisation écrite de la société FCI est formellement interdite.

Propriété de FCI Besençon S.A.  
Droits de reproduction FCI Besençon S.A.



All rights strictly reserved. Reproduction or reuse in third parties without written authority from the FCI Besençon S.A. is strictly prohibited.

Copyright © Besençon S.A.

D

mat'l. code		tolerances unless otherwise specified		CUSTOMER COPY		ELECTRONICS www.fciconnect.com	
ltr	ecn no	dr	date	projection	title		
AE	F80362	VMD	98.06.26	linear	UNSHR.HEADER		
AF	F10119	DLE	01.01.24		STR SR TMT		
AG	F10316	LMU	01.05.15	angles	product family	BERGSTIK	code
AH	F10381	LMU	01.07.25	dr	size	dwg no	213
AJ	F10397	LMU	01.08.16	engr	scale	A3	sheet
				chr			2 of -
				appd			
sheet	revision						
index	sheet						

D