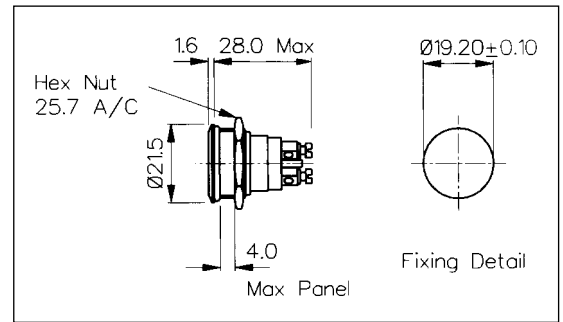


## Low Profile Brass Chrome Plated Vandal Resistant



- Front Panel Mounting
- Front Panel Sealed to IP68
- 21.5mm diameter
- S.P. Push to Make
- 1A, 50V



Specification	MPB037
Terminations:	Screw Terminals
Switching:	S.P. Push to make Slow momentary action
Max. Rating:	1A, 50V
Contact Resistance:	<10mΩ
Insulation Resistance:	>10 <sup>5</sup> MΩ
Dielectric Strength:	>1.0kV a.c.
Operating Temp. Range:	-20°C to +70°C
Sealing (Front of panel only):	Protection Classification: IP68 EN60529 1992 (Terminals not sealed)
Materials:	
Mouldings:	Glass Filled Nylon
Tags/Terminations:	Brass, Tin Plated
Switch Body & Button:	Brass, Chrome Plated
Contacts:	Brass, Silver Plated, Silver
Variants:	