

# MEMORY CARD CONNECTOR



## SINGLE CARD – SD CONNECTOR

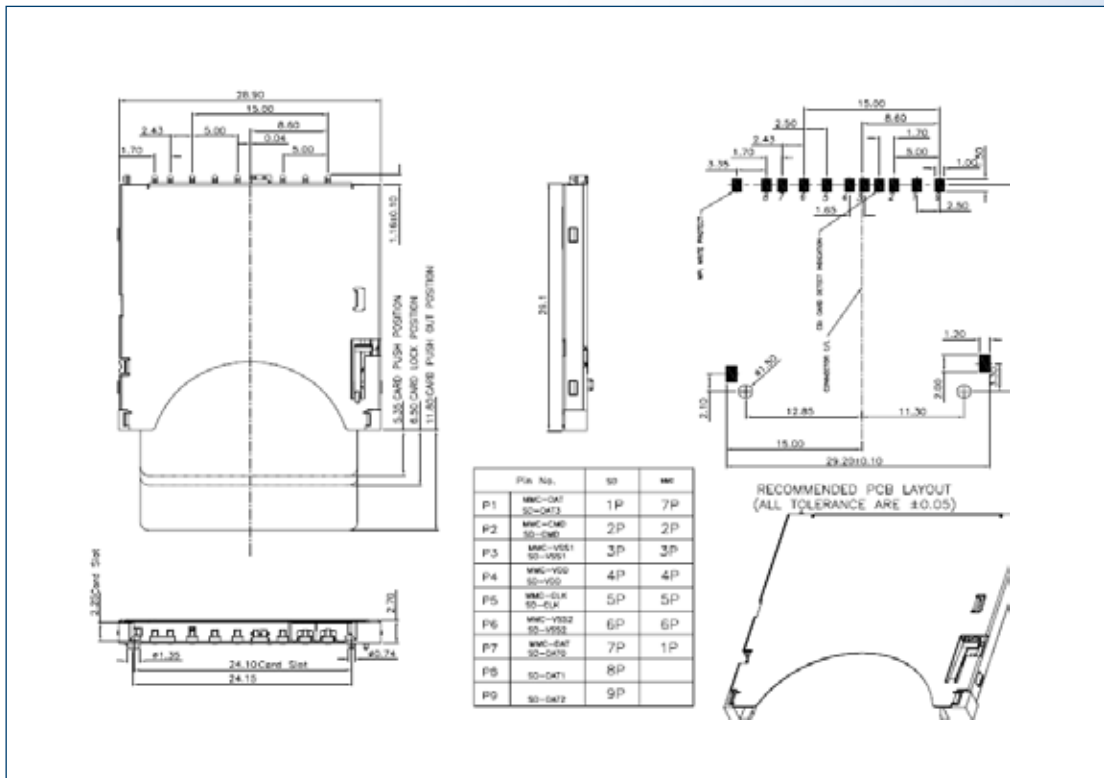


### Specifications:

Contact Resistance: 100 mΩ max at 100 mA DC
Insulation Resistance: 100 MΩ minimum at 250 VDC
Voltage rating: 100V AC
Dielectric Strength: 500 VAC/RMS initial and 250VAC/RMS at 60 Hz for 1 minute
Operating Temperature: -20°C to +65°C

### Materials:

Insulator: High temperature thermoplastic, UL 94-0
Contact: Copper alloy, selective gold plated on contact area, tin plated on solder tail
Shell: Copper alloy, selective gold flash plated on solder tail



### Part Numbers:

	Description
101-00313-64	SD P-P Connector, Stand-off = 0mm, 1u " Au plated
101-00313-68	SD P-P Connector, Stand-off = 0mm, 15u " Au plated
101-00313-69	SD P-P Connector, Stand-off = 0mm, 30 u " Au plated
101-00405-64	SD P-P Connector, Stand-off = 1.8mm, 1u " Au plated
101-00405-68	SD P-P Connector, Stand-off = 1.8mm, 15u " Au plated
101-00405-69	SD P-P Connector, Stand-off = 1.8mm, 30 u " Au plated

## SINGLE CARD-CF CONNECTOR

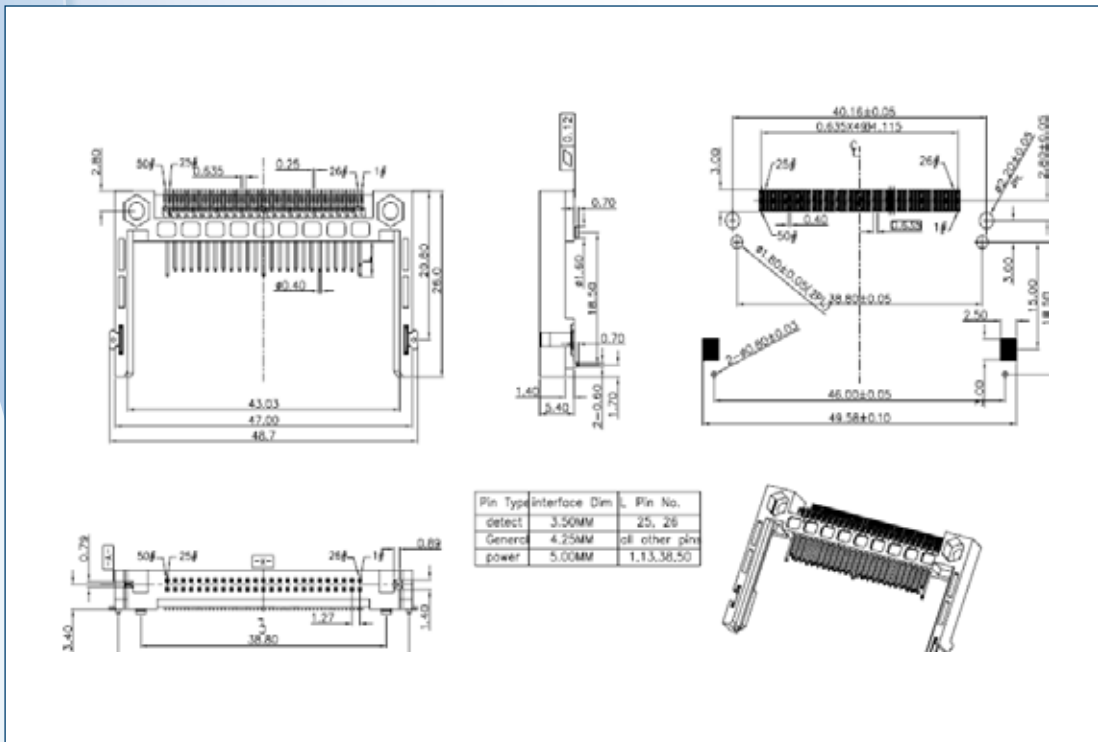


### Specifications:

Contact Resistance: 40 mΩ max at 100 mA DC
Insulation Resistance: 1000 MΩ minimum at 250 VDC
Voltage rating: 100V AC
Dielectric Strength: 500 VAC/RMS initial and 250VAC/RMS at 60 Hz for 1 minute
Operating Temperature: -20°C to +60°C

### Materials:

Insulator: High temperature thermoplastic, UL 94-0
Contact: Copper alloy, selective gold plated on contact area, tin plated on solder tail
Ground : Copper alloy, Tin plated on solder tail over Nickel plated



### Part Numbers:

P/N	Description
101-00178-68	CF, Ultra short body, 15 u " Au plated
101-00205-64	CF, Stand-off = 1.4mm, 1 u " Au plated
101-00205-68	CF, Stand-off = 1.4mm, 15 u " Au plated
101-00205-69	CF, Stand-off = 1.4mm, 30 u " Au plated
101-00140-64	CF, L=26.00mm, post=40.16, Hexagon screw hole, Stand-off=1.4mm, w/ Metal shell, 1 u " Au plated
101-00140-68	CF, L=26.00mm, post=40.16, Hexagon screw hole, Stand-off=1.4mm, w/ Metal shell, 15 u " Au plated
101-00140-69	CF, L=26.00mm, post=40.16, Hexagon screw hole, Stand-off=1.4mm, w/ Metal shell, 30 u " Au plated
101-00265-64	CF, L=26.00mm, post=38.80, Hexagon screw hole, Stand-off=1.4mm, w/ Metal shell, 1 u " Au
101-00265-68	CF, L=26.00mm, post=38.80, Hexagon screw hole, Stand-off=1.4mm, w/ Metal shell, 15 u " Au
101-00265-69	CF, L=26.00mm, post=38.80, Hexagon screw hole, Stand-off=1.4mm, w/ Metal shell, 30 u " Au



## MINIATURE CARD –SIM + MICRO-SD COMBO CONNECTOR

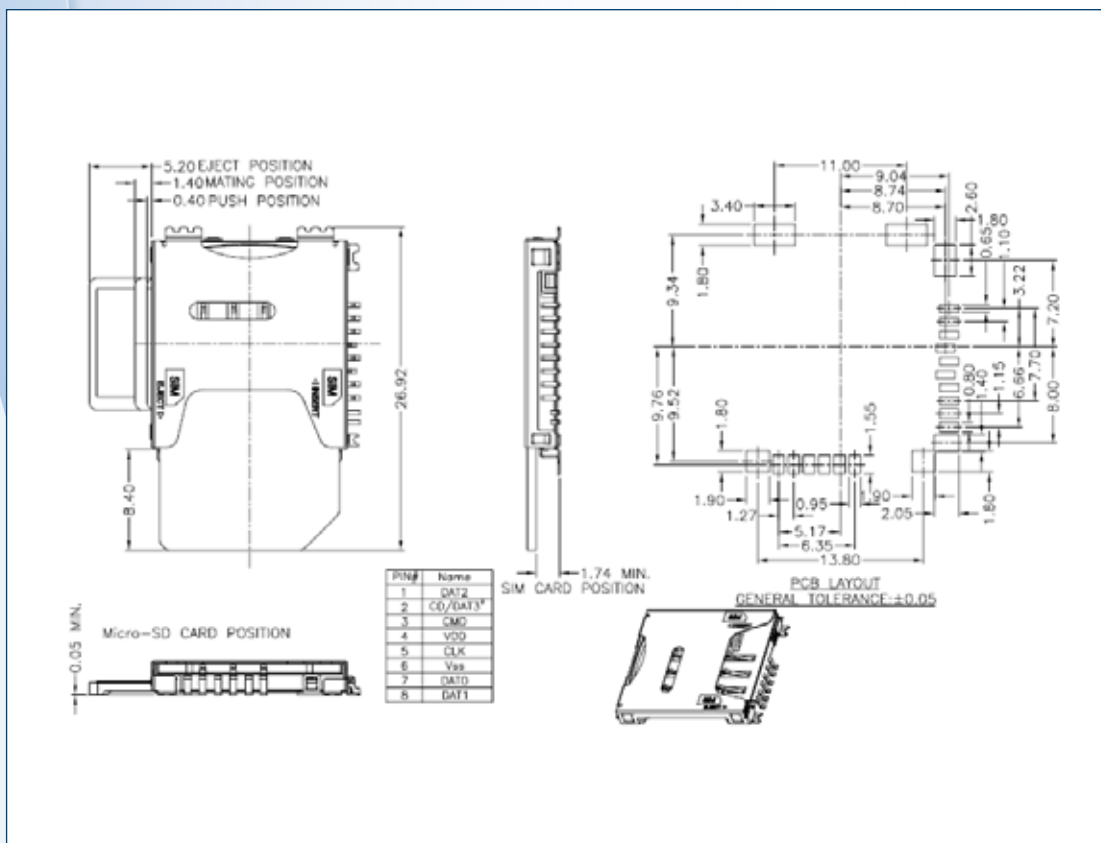


### Specifications:

Contact Resistance: 100 mΩ max at 100 mA
Insulation Resistance: 1000 MΩ min at 500 VDC
Voltage rating: 100V AC
Current Rating: 0.5 A per contact
Dielectric Strength: 500 VAC/RMS initial and 250 VAC final at 60 Hz for 1 minute
Operating Temperature: -25°C to +70°C

### Materials:

Housing: High Temperature thermoplastic, UL94V-0 rated
Contact: Copper alloy with selective Au plating, Tin plated on solder tail
Cover: Copper alloy nickel overall



### Part Numbers:

P/N	Description
101-00294-68	SIM + Micro-SD p-p, Combo, 15 u " Au plated
101-00359-68	Dual SIM + Micro SD p-p, Combo, 15 u " Au plated

## MINIATURE CARD –SIM + MICRO-SD COMBO CONNECTOR

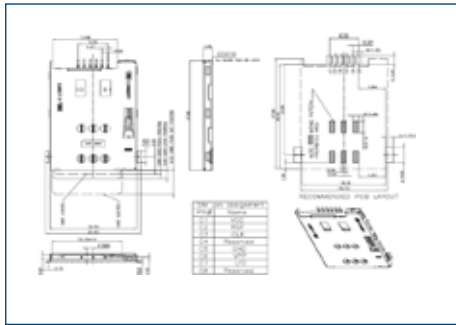


### Specifications:

Contact Resistance: 50 mΩ max at 100 mA
Insulation Resistance: 500 MΩ min at 500 VDC
Voltage rating: 100V AC
Current Rating: 0.5 A per contact
Dielectric Strength: 500 VAC/RMS initial and 250 VAC final at 60 Hz for 1 minute
Operating Temperature: -25°C to +85°C

### Materials:

Housing: High Temperature thermoplastic, UL94V-0 rated
Contact: Copper alloy with selective Au plating, Tin plated on solder tail
Cover: SUS Nickle overall



### Part Numbers:

P/N	Description
101-00269-64	SIM 6P p-p, Normal Type, w/o C/D, 1 u " Au plated
101-00269-68	SIM 6P p-p, Normal Type, w/o C/D, 15 u " Au plated
101-00269-69	SIM 6P p-p, Normal Type, w/o C/D, 30 u " Au plated
101-00270-64	SIM 6P p-p, Reverse Type, w/o C/D, 1 u " Au plated
101-00270-68	SIM 6P p-p, Reverse Type, w/o C/D, 15 u " Au plated
101-00270-69	SIM 6P p-p, Reverse Type, w/o C/D, 30 u " Au plated

P/N	Description
101-00271-64	SIM 8P p-p, Normal Type, w/ C/D, 1 u " Au plated
101-00271-68	SIM 8P p-p, Normal Type, w/ C/D, 15 u " Au plated
101-00271-69	SIM 8P p-p, Normal Type, w/ C/D, 30 u " Au plated
101-00272-64	SIM 8P p-p, Reverse Type, w/ C/D, 1 u " Au plated
101-00272-68	SIM 8P p-p, Reverse Type, w/ C/D, 15 u " Au plated
101-00272-69	SIM 8P p-p, Reverse Type, w/ C/D, 30 u " Au plated
101-00306-64	SIM 8P p-p, Reverse Type, w/ C/D, 1 u " Au plated
101-00306-68	SIM 8P p-p, Reverse Type, w/ C/D, 15 u " Au plated
101-00306-69	SIM 8P p-p, Reverse Type, w/ C/D, 30 u " Au plated
101-00309-64	SIM 8P p-p, Normal Type, w/o C/D, 1 u " Au plated
101-00309-68	SIM 8P p-p, Normal Type, w/o C/D, 15 u " Au plated
101-00309-69	SIM 8P p-p, Normal Type, w/o C/D, 30 u " Au plated
101-00364-64	SIM 8P p-p, Reverse Type, w/o C/D, 1 u " Au plated
101-00364-68	SIM 8P p-p, Reverse Type, w/o C/D, 15 u " Au plated
101-00364-69	SIM 8P p-p, Reverse Type, w/o C/D, 30 u " Au plated
101-00365-64	SIM 6P p-p, Reverse Type, w/ C/D, 1 u " Au plated
101-00365-68	SIM 6P p-p, Reverse Type, w/ C/D, 15 u " Au plated
101-00365-69	SIM 6P p-p, Reverse Type, w/ C/D, 30 u " Au plated

## COMBO CARD –MEMORY COMBO CONNECTOR

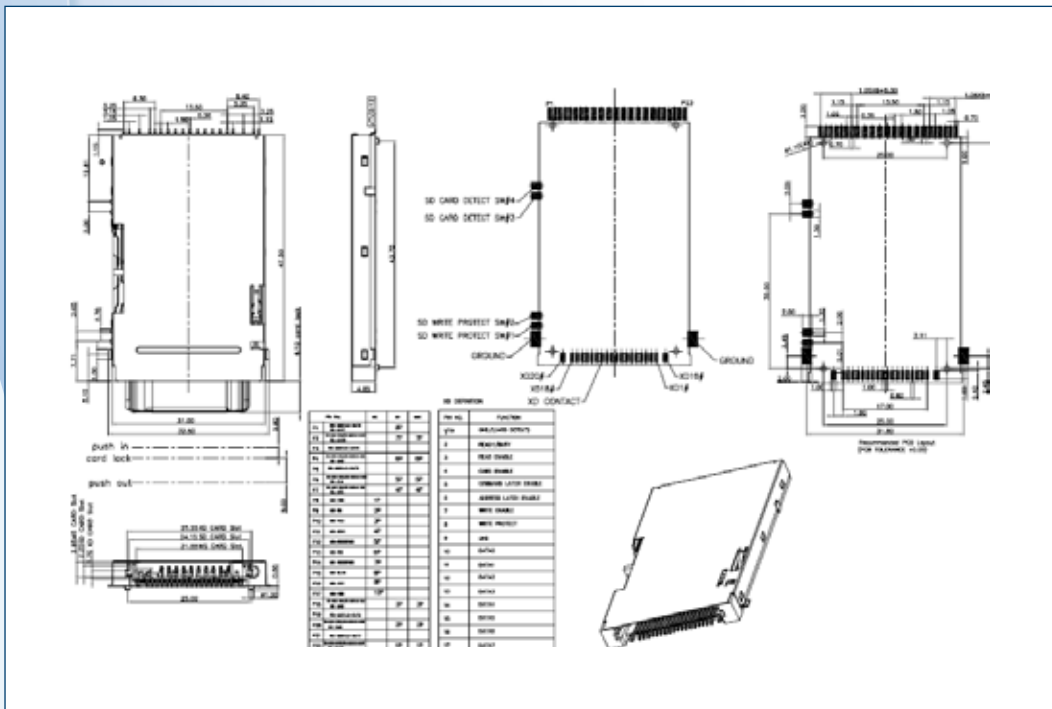


### Specifications:

Contact Resistance: 100 mΩ max at 100 mA
Insulation Resistance: 1000 MΩ min at 500 VDC
Voltage rating: 250 V AC
Current Rating: 0.5 A per contact
Dielectric Strength: 500 VAC/RMS initial and 250 VAC final at 60 Hz for 1 minute
Operating Temperature: -25°C to +60°C

### Materials:

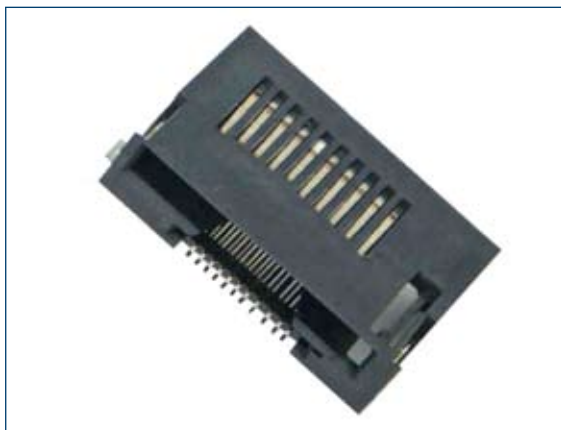
Housing: High Temperature thermoplastic, UL94V-0 rated
Contact: Copper alloy with selective Au plating, Tin plated on solder tail
Cover: Copper alloy with Nickel plated overall



### Part Numbers:

P/N	Description
101-00295-64	4-in-1 Memory Combo Conn., Card-End Even Type, 1 u " Au plated
101-00295-68	4-in-1 Memory Combo Conn., Card-End Even Type, 15 u " Au plated
101-00295-69	4-in-1 Memory Combo Conn., Card-End Even Type, 30 u " Au plated
101-00412-64	4-in-1 Combo, PCB, Card-End Un-even Type, 1 u " Au plated
101-00412-68	4-in-1 Combo, PCB, Card-End Un-even Type, 15 u " Au plated
101-00412-69	4-in-1 Combo, PCB, Card-End Un-even Type, 30 u " Au plated
101-00402-64	3-in-1 Combo, Card-End Un-even Type, 1 u " Au plated
101-00402-68	3-in-1 Combo, Card-End Un-even Type, 15 u " Au plated
101-00402-69	3-in-1 Combo, Card-End Un-even Type, 30 u " Au plated
101-00578-64	3-in-1 Combo, Card-End Even Type, 1 u " Au plated
101-00578-68	3-in-1 Combo, Card-End Even Type, 15 u " Au plated
101-00578-69	3-in-1 Combo, Card-End Even Type, 30 u " Au plated

# COMBO CARD –MEMORY COMBO CONNECTOR

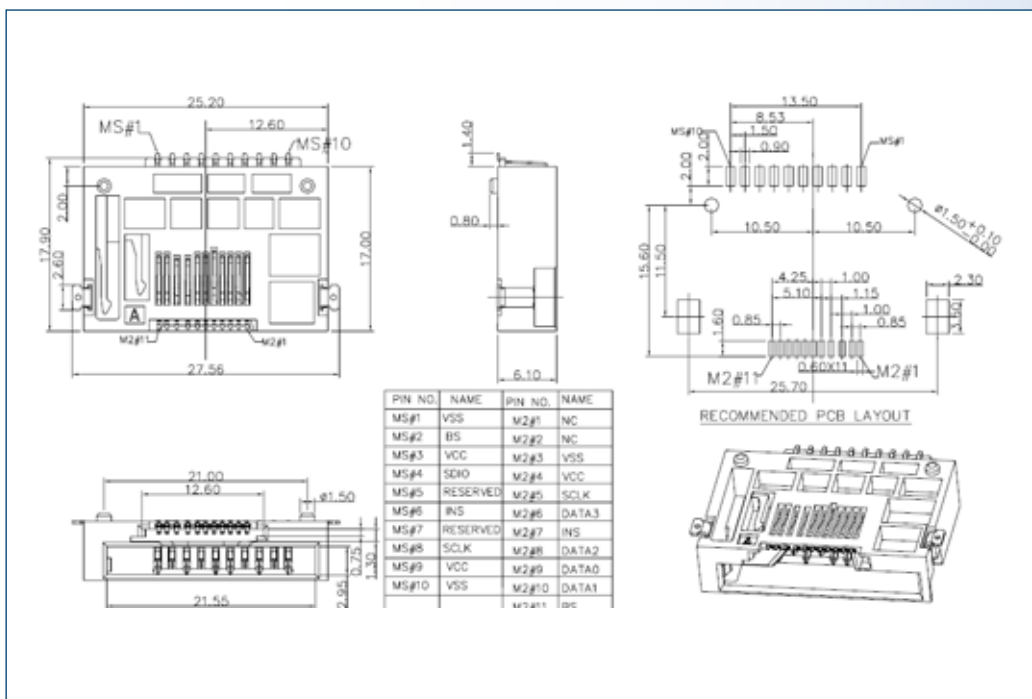


**Specifications:**

- Contact Resistance: 100 mΩ max at 100 mA
- Insulation Resistance: 1000 MΩ min at 500 VDC
- Voltage rating: 100 V AC
- Current Rating: 0.5 A per contact
- Dielectric Strength: 500 VAC/RMS initial and 250 VAC final at 60 Hz for 1 minute
- Operating Temperature: -25°C to +60°C

**Materials:**

- Housing: High Temperature thermoplastic, UL94V-0 rated
- Contact: Copper alloy with selective Au plating, 0Tin plated on solder tail
- Ground: Copper alloy with Nickle plated overall

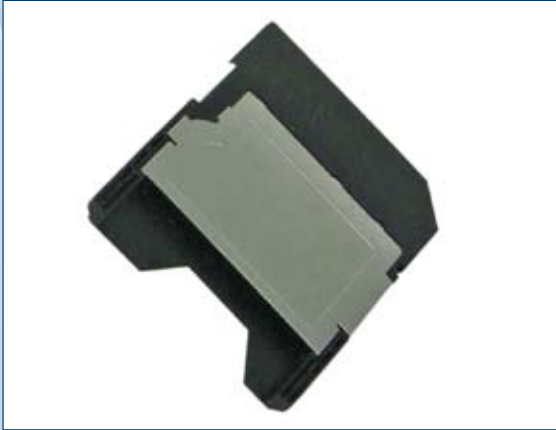


**Part Numbers:**

P/N	Description
101-00356-64	3-in-1 Conn (MS,MS Duo,M2), 1 u “ Au plated
101-00356-68	3-in-1 Conn (MS,MS Duo,M2), 15 u “ Au plated
101-00356-69	3-in-1 Conn (MS,MS Duo,M2), 30 u “ Au plated



## ADAPTER – MINI SD TO SD

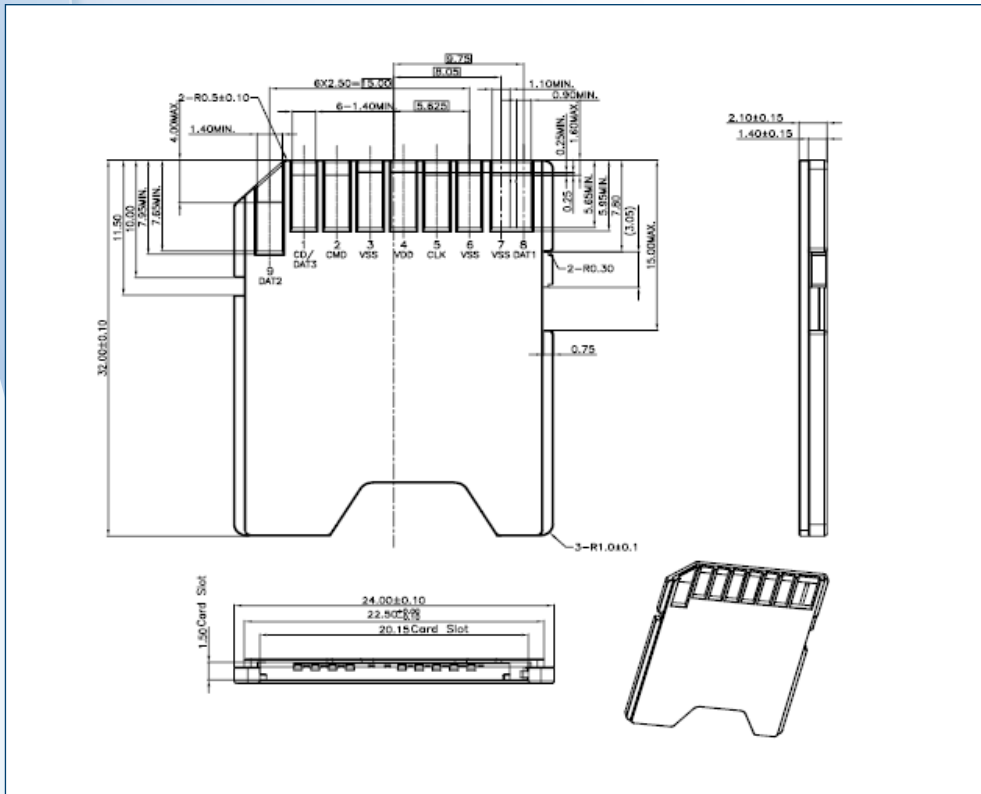


### Specifications:

Contact Resistance: 100 mΩ max at 100 mA
Insulation Resistance: 1000 MΩ min at 500 VDC
Voltage rating: 100 V AC
Current Rating: 1 A per contact
Dielectric Strength: 500 VAC/RMS initial and 250 VAC final at 60 Hz for 1 minute
Operating Temperature: -25°C to +85°C

### Materials:

Housing: High Temperature thermoplastic, UL94V-0 rated
Contact: Copper alloy with selective Au plating
Latch : Stainless steel



### Part Numbers:

P/N	Description
106-00069-10	mini-SD to SD Adapter, 1 u " Au plated
106-00069-14	mini-SD to SD Adapter, 15 u " Au plated
106-00069-15	mini-SD to SD Adapter, 30 u " Au plated
106-00120-10	mini-SD to SD Adapter w/shell, 1 u " Au plated
106-00120-14	mini-SD to SD Adapter w/shell, 15 u " Au plated
106-00120-15	mini-SD to SD Adapter w/shell, 30 u " Au plated

## ADAPTER – MICRO SD TO MINI SD

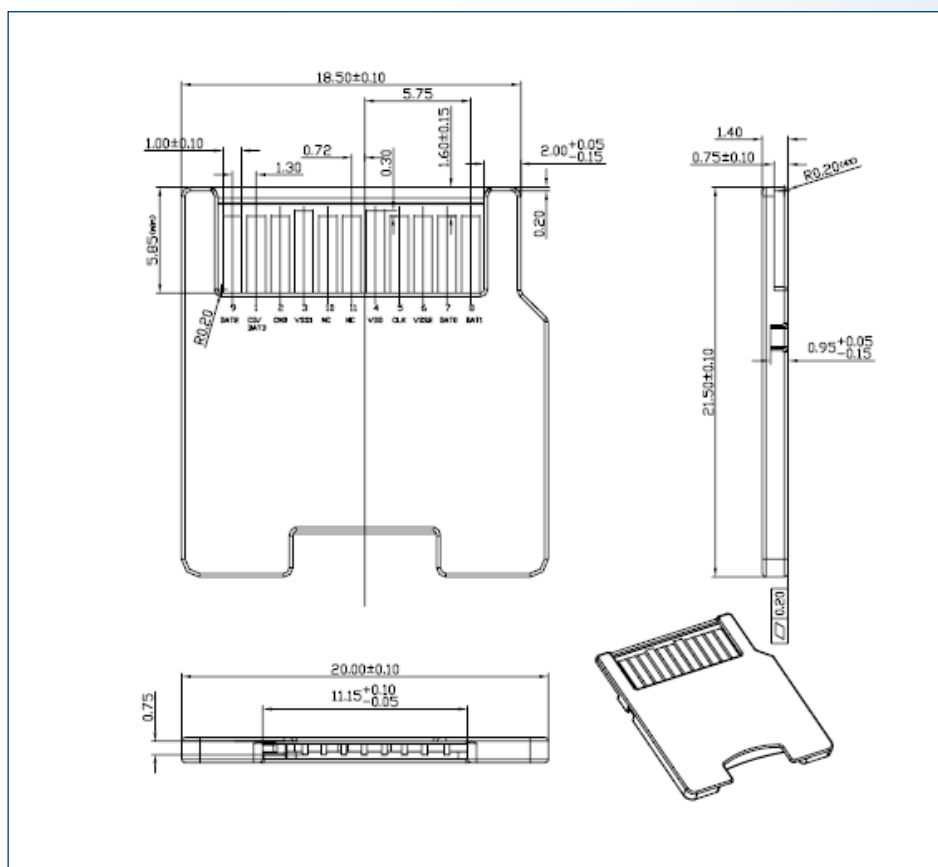


### Specifications:

- Contact Resistance: 140 mΩ max at 100 mA
- Insulation Resistance: 500 MΩ min at 500 VDC
- Voltage rating: 100 V AC
- Current Rating: 1 A per contact
- Dielectric Strength: 500 VAC/RMS initial and 250 VAC final at 60 Hz for 1 minute
- Operating Temperature: -25°C to +85°C

### Materials:

- Housing: High Temperature thermoplastic, UL94V-0 rated
- Contact: Copper alloy with selective Au plating
- Latch : Stainless steel



### Part Numbers:

P/N	Description
106-00330-10	micro-SD to mini-SD Adapter, 1 u “ Au plated
106-00330-14	micro-SD to mini-SD Adapter, 15 u “ Au plated
106-00330-15	micro-SD to mini-SD Adapter, 30 u “ Au plated

