



# MICROCHIP 24AA256/24LC256/24FC256

## 256K Bit I<sup>2</sup>C™ CMOS Serial EEPROM

### DEVICE SELECTION TABLE

Part Number	Vcc Range	Max Clock Frequency	Temp Ranges
24AA256	1.8-5.5V	400 kHz <sup>†</sup>	C
24LC256	2.5-5.5V	400 kHz <sup>‡</sup>	I, E
24FC256	2.5-5.5V	1 MHz	I

<sup>†</sup>100 kHz for Vcc < 2.5V.  
<sup>‡</sup>100 kHz for E temperature range.

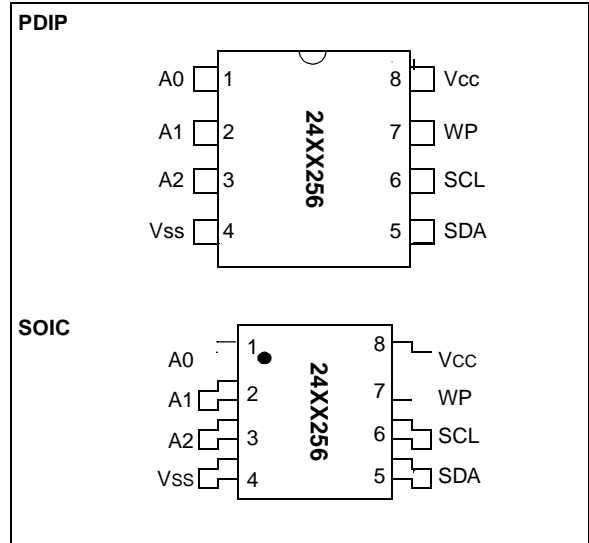
### FEATURES

- Low power CMOS technology
  - Maximum write current 3 mA at 5.5V
  - Maximum read current 400 µA at 5.5V
  - Standby current 100 nA typical at 5.5V
- 2-wire serial interface bus, I<sup>2</sup>C compatible
- Cascadable for up to eight devices
- Self-timed ERASE/WRITE cycle
- 64-byte page-write mode available
- 5 ms max write-cycle time
- Hardware write protect for entire array
- Output slope control to eliminate ground bounce
- Schmitt trigger inputs for noise suppression
- 100,000 erase/write cycles guaranteed
- Electrostatic discharge protection > 4000V
- Data retention > 200 years
- 8-pin PDIP and SOIC (208 mil) packages
- Temperature ranges:
  - Commercial (C): 0°C to +70°C
  - Industrial (I): -40°C to +85°C
  - Automotive (E): -40°C to +125°C

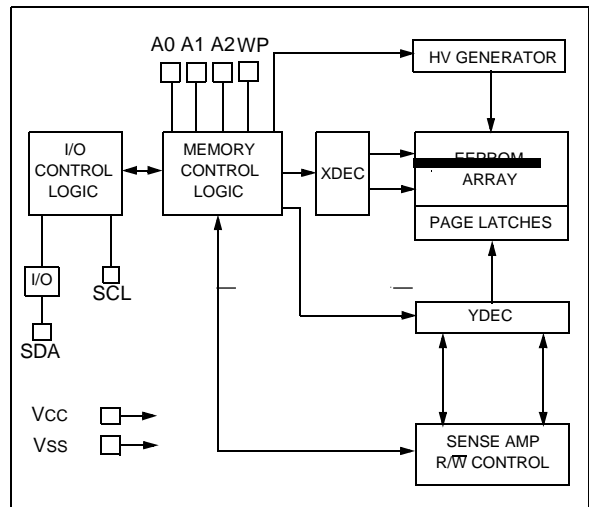
### DESCRIPTION

The Microchip Technology Inc. 24AA256/24LC256/24FC256 (24XX256\*) is a 32K x 8 (256K bit) Serial Electrically Erasable PROM, capable of operation across a broad voltage range (1.8V to 5.5V). It has been developed for advanced, low power applications such as personal communications or data acquisition. This device also has a page-write capability of up to 64 bytes of data. This device is capable of both random and sequential reads up to the 256K boundary. Functional address lines allow up to eight devices on the same bus, for up to 2M bit address space. This device is available in the standard 8-pin plastic DIP and 8-pin SOIC (208 mil) packages.

### PACKAGE TYPE



### BLOCK DIAGRAM



I<sup>2</sup>C is a trademark of Philips Corporation.

\*24XX256 is used in this document as a generic part number for the 24AA256/24LC256/24FC256 devices.

# 24AA256/24LC256/24FC256

## 1.0 ELECTRICAL CHARACTERISTICS

### 1.1 Maximum Ratings\*

V<sub>CC</sub>.....7.0V  
 All inputs and outputs w.r.t. V<sub>SS</sub>..... -0.6V to V<sub>CC</sub> +1.0V  
 Storage temperature .....-65°C to +150°C  
 Ambient temp. with power applied .....-65°C to +125°C  
 Soldering temperature of leads (10 seconds).....+300°C  
 ESD protection on all pins..... $\leq$  4 kV

\***Notice:** Stresses above those listed under "Maximum Ratings" may cause permanent damage to the device. This is a stress rating only and functional operation of the device at those or any other conditions above those indicated in the operational listings of this specification is not implied. Exposure to maximum rating conditions for extended periods may affect device reliability.

TABLE 1-1 PIN FUNCTION TABLE

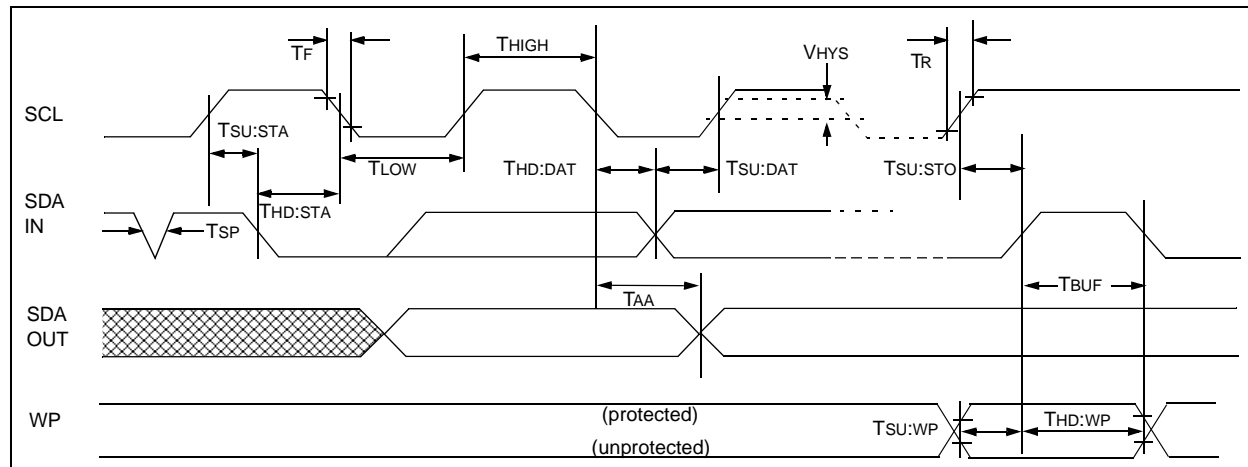
Name	Function
A0, A1, A2	User Configurable Chip Selects
V <sub>SS</sub>	Ground
SDA	Serial Data
SCL	Serial Clock
WP	Write Protect Input
V <sub>CC</sub>	+1.8 to 5.5V (24AA256) +2.5 to 5.5V (24LC256,24FC256)

TABLE 1-2 DC CHARACTERISTICS

Parameter	Symbol	Min	Max	Units	Conditions
All parameters apply across the specified operating ranges, unless otherwise noted.					
Commercial (C): V <sub>CC</sub> = +1.8V to 5.5V Tamb = 0°C to +70°C					
Industrial (I): V <sub>CC</sub> = +2.5V to 5.5V Tamb = -40°C to +85°C					
Automotive (E): V <sub>CC</sub> = +4.5V to 5.5V Tamb = -40°C to 125°C					
A0, A1, A2, SCL, SDA, and WP pins: High level input voltage	V <sub>IH</sub>	0.7 V <sub>CC</sub>	—	V	V <sub>CC</sub> 2.5V V <sub>CC</sub> < 2.5V
Low level input voltage	V <sub>IL</sub>	—	0.3 V <sub>CC</sub> 0.2 V <sub>CC</sub>	V	
Hysteresis of Schmitt Trigger inputs (SDA, SCL pins)	V <sub>HYS</sub>	0.05 V <sub>CC</sub>	—	V	V <sub>CC</sub> 2.5V (Note)
Low level output voltage	V <sub>OL</sub>	—	0.40	V	I <sub>OL</sub> = 3.0 mA @ V <sub>CC</sub> = 4.5V I <sub>OL</sub> = 2.1 mA @ V <sub>CC</sub> = 2.5V
Input leakage current	I <sub>LI</sub>	-10	10	μA	V <sub>IN</sub> = V <sub>SS</sub> or V <sub>CC</sub> , WP = V <sub>SS</sub> V <sub>IN</sub> = V <sub>SS</sub> or V <sub>CC</sub> , WP = V <sub>CC</sub>
Output leakage current	I <sub>LO</sub>	-10	10	μA	V <sub>OUT</sub> = V <sub>SS</sub> or V <sub>CC</sub>
Pin capacitance (all inputs/outputs)	C <sub>IN</sub> , C <sub>OUT</sub>	—	10	pF	V <sub>CC</sub> = 5.0V (Note) Tamb = 25°C, f <sub>c</sub> = 1 MHz
Operating current	I <sub>CC</sub> Read	—	400	μA	V <sub>CC</sub> = 5.5V, SCL = 400 kHz
	I <sub>CC</sub> Write	—	3	mA	V <sub>CC</sub> = 5.5V
Standby current	I <sub>CCS</sub>	—	1	μA	SCL = SDA = V <sub>CC</sub> = 5.5V A0, A1, A2, WP = V <sub>SS</sub>

**Note:** This parameter is periodically sampled and not 100% tested.

FIGURE 1-1: BUS TIMING DATA



# 24AA256/24LC256/24FC256

**TABLE 1-3 AC CHARACTERISTICS**

All parameters apply across the specified operating ranges unless otherwise noted.	Commercial (C): V <sub>CC</sub> = +1.8V to 5.5V Industrial (I): V <sub>CC</sub> = +2.5V to 5.5V Automotive (E): V <sub>CC</sub> = +4.5V to 5.5V			T <sub>amb</sub> = 0°C to +70°C T <sub>amb</sub> = -40°C to +85°C T <sub>amb</sub> = -40°C to 125°C	
	Symbol	Min	Max	Units	Conditions
Clock frequency	FCLK	— — — —	100 100 400 1000	kHz	4.5V ≤ V <sub>CC</sub> ≤ 5.5V (E Temp range) 1.8V ≤ V <sub>CC</sub> ≤ 2.5V 2.5V ≤ V <sub>CC</sub> ≤ 5.5V 24FC256 (2.5 V ≤ V <sub>CC</sub> ≤ 5.5 V)
Clock high time	T <sub>HIGH</sub>	4000 4000 600 500	— — — —	ns	4.5V ≤ V <sub>CC</sub> ≤ 5.5V (E Temp range) 1.8V ≤ V <sub>CC</sub> ≤ 2.5V 2.5V ≤ V <sub>CC</sub> ≤ 5.5V 24FC256 (2.5 V ≤ V <sub>CC</sub> ≤ 5.5 V)
Clock low time	T <sub>LOW</sub>	4700 4700 1300 500	— — — —	ns	4.5V ≤ V <sub>CC</sub> ≤ 5.5V (E Temp range) 1.8V ≤ V <sub>CC</sub> ≤ 2.5V 2.5V ≤ V <sub>CC</sub> ≤ 5.5V 24FC256 (2.5 V ≤ V <sub>CC</sub> ≤ 5.5 V)
SDA and SCL rise time (Note 1)	T <sub>R</sub>	— — — —	1000 1000 300 300	ns	4.5V ≤ V <sub>CC</sub> ≤ 5.5V (E Temp range) 1.8V ≤ V <sub>CC</sub> ≤ 2.5V 2.5V ≤ V <sub>CC</sub> ≤ 5.5V 24FC256 (2.5 V ≤ V <sub>CC</sub> ≤ 5.5 V)
SDA and SCL fall time (Note 1)	T <sub>F</sub>	— —	300 100	ns	All except 24FC256 24FC256 (2.5 V ≤ V <sub>CC</sub> ≤ 5.5 V)
START condition hold time	T <sub>HD:STA</sub>	4000 4000 600 250	— — — —	ns	4.5V ≤ V <sub>CC</sub> ≤ 5.5V (E Temp range) 1.8V ≤ V <sub>CC</sub> ≤ 2.5V 2.5V ≤ V <sub>CC</sub> ≤ 5.5V 24FC256 (2.5 V ≤ V <sub>CC</sub> ≤ 5.5 V)
START condition setup time	T <sub>SU:STA</sub>	4700 4700 600 250	— — — —	ns	4.5V ≤ V <sub>CC</sub> ≤ 5.5V (E Temp range) 1.8V ≤ V <sub>CC</sub> ≤ 2.5V 2.5V ≤ V <sub>CC</sub> ≤ 5.5V 24FC256 (2.5 V ≤ V <sub>CC</sub> ≤ 5.5 V)
Data input hold time	T <sub>HD:DAT</sub>	0	—	ns	(Note 2)
Data input setup time	T <sub>SU:DAT</sub>	250 250 100 100	— — — —	ns	4.5V ≤ V <sub>CC</sub> ≤ 5.5V (E Temp range) 1.8V ≤ V <sub>CC</sub> ≤ 2.5V 2.5V ≤ V <sub>CC</sub> ≤ 5.5V 24FC256 (2.5 V ≤ V <sub>CC</sub> ≤ 5.5 V)
STOP condition setup time	T <sub>SU:STO</sub>	4000 4000 600 250	— — — —	ns	4.5V ≤ V <sub>CC</sub> ≤ 5.5V (E Temp range) 1.8V ≤ V <sub>CC</sub> ≤ 2.5V 2.5V ≤ V <sub>CC</sub> ≤ 5.5V 24FC256 (2.5 V ≤ V <sub>CC</sub> ≤ 5.5 V)
WP setup time	T <sub>SU:WP</sub>	4000 4000 600 600	— — — —	ns	4.5V ≤ V <sub>CC</sub> ≤ 5.5V (E Temp range) 1.8V ≤ V <sub>CC</sub> ≤ 2.5V 2.5V ≤ V <sub>CC</sub> ≤ 5.5V 24FC256 (2.5 V ≤ V <sub>CC</sub> ≤ 5.5 V)
WP hold time	T <sub>HD:WP</sub>	4700 4700 1300 1300	— — — —	ns	4.5V ≤ V <sub>CC</sub> ≤ 5.5V (E Temp range) 1.8V ≤ V <sub>CC</sub> ≤ 2.5V 2.5V ≤ V <sub>CC</sub> ≤ 5.5V 24FC256 (2.5 V ≤ V <sub>CC</sub> ≤ 5.5 V)
Output valid from clock (Note 2)	T <sub>AA</sub>	— — — —	3500 3500 900 400	ns	4.5V ≤ V <sub>CC</sub> ≤ 5.5V (E Temp range) 1.8V ≤ V <sub>CC</sub> ≤ 2.5V 2.5V ≤ V <sub>CC</sub> ≤ 5.5V 24FC256 (2.5 V ≤ V <sub>CC</sub> ≤ 5.5 V)
Bus free time: Time the bus must be free before a new transmission can start	T <sub>BUF</sub>	4700 4700 1300 500	— — — —	ns	4.5V ≤ V <sub>CC</sub> ≤ 5.5V (E Temp range) 1.8V ≤ V <sub>CC</sub> ≤ 2.5V 2.5V ≤ V <sub>CC</sub> ≤ 5.5V 24FC256 (2.5 V ≤ V <sub>CC</sub> ≤ 5.5 V)
Output fall time from V <sub>IH</sub> minimum to V <sub>IL</sub> maximum C <sub>B</sub> ≤ 100 pF	T <sub>OF</sub>	10 + 0.1C <sub>B</sub>	250 250	ns	All except 24FC256 (Note 1) 24FC256 (Note 1)

# 24AA256/24LC256/24FC256

**TABLE 1-3 AC CHARACTERISTICS**

All parameters apply across the specified operating ranges unless otherwise noted.	Commercial (C): $V_{CC} = +1.8V$ to $5.5V$		$T_{amb} = 0^{\circ}C$ to $+70^{\circ}C$		
	Industrial (I): $V_{CC} = +2.5V$ to $5.5V$		$T_{amb} = -40^{\circ}C$ to $+85^{\circ}C$		
	Automotive (E): $V_{CC} = +4.5V$ to $5.5V$		$T_{amb} = -40^{\circ}C$ to $125^{\circ}C$		
	Symbol	Min	Max	Units	Conditions
Input filter spike suppression (SDA and SCL pins)	TSP	—	50	ns	All except 24FC256 (Notes 1 and 3)
Write cycle time (byte or page)	TWC	—	5	ms	
Endurance		100K	—	cycles	$25^{\circ}C$ , $V_{CC} = 5.0V$ , Block Mode (Note 4)

**Note 1:** Not 100% tested.  $C_B$  = total capacitance of one bus line in pF.

- 2:** As a transmitter, the device must provide an internal minimum delay time to bridge the undefined region (minimum 300 ns) of the falling edge of SCL to avoid unintended generation of START or STOP conditions.
- 3:** The combined TSP and  $V_{HYS}$  specifications are due to new Schmitt trigger inputs which provide improved noise spike suppression. This eliminates the need for a TI specification for standard operation.
- 4:** This parameter is not tested but guaranteed by characterization. For endurance estimates in a specific application, please consult the Total Endurance Model which can be obtained on Microchip's website @[www.microchip.com](http://www.microchip.com).

## 2.0 PIN DESCRIPTIONS

### 2.1 A0, A1, A2 Chip Address Inputs

The A0, A1, A2 inputs are used by the 24XX256 for multiple device operations. The levels on these inputs are compared with the corresponding bits in the slave address. The chip is selected if the compare is true.

Up to eight devices may be connected to the same bus by using different chip select bit combinations. If left unconnected, these inputs will be pulled down internally to V<sub>SS</sub>.

### 2.2 SDA Serial Data

This is a bi-directional pin used to transfer addresses and data into and data out of the device. It is an open-drain terminal, therefore, the SDA bus requires a pullup resistor to V<sub>CC</sub> (typical 10 k $\Omega$  for 100 kHz, 2 k $\Omega$  for 400 kHz and 1 MHz).

For normal data transfer SDA is allowed to change only during SCL low. Changes during SCL high are reserved for indicating the START and STOP conditions.

### 2.3 SCL Serial Clock

This input is used to synchronize the data transfer from and to the device.

### 2.4 WP

This pin can be connected to either V<sub>SS</sub>, V<sub>CC</sub> or left floating. An internal pull-down resistor on this pin will keep the device in the unprotected state if left floating. If tied to V<sub>SS</sub> or left floating, normal memory operation is enabled (read/write the entire memory 0000-7FFF).

If tied to V<sub>CC</sub>, WRITE operations are inhibited. Read operations are not affected.

## 3.0 FUNCTIONAL DESCRIPTION

The 24XX256 supports a bi-directional 2-wire bus and data transmission protocol. A device that sends data onto the bus is defined as a transmitter, and a device receiving data as a receiver. The bus must be controlled by a master device which generates the serial clock (SCL), controls the bus access, and generates the START and STOP conditions while the 24XX256 works as a slave. Both master and slave can operate as a transmitter or receiver, but the master device determines which mode is activated.

## 4.0 BUS CHARACTERISTICS

The following **bus protocol** has been defined:

- Data transfer may be initiated only when the bus is not busy.
- During data transfer, the data line must remain stable whenever the clock line is HIGH. Changes in the data line while the clock line is HIGH will be interpreted as a START or STOP condition.

Accordingly, the following bus conditions have been defined (Figure 4-1).

### 4.1 Bus not Busy (A)

Both data and clock lines remain HIGH.

### 4.2 Start Data Transfer (B)

A HIGH to LOW transition of the SDA line while the clock (SCL) is HIGH determines a START condition. All commands must be preceded by a START condition.

### 4.3 Stop Data Transfer (C)

A LOW to HIGH transition of the SDA line while the clock (SCL) is HIGH determines a STOP condition. All operations must end with a STOP condition.

### 4.4 Data Valid (D)

The state of the data line represents valid data when, after a START condition, the data line is stable for the duration of the HIGH period of the clock signal.

The data on the line must be changed during the LOW period of the clock signal. There is one bit of data per clock pulse.

Each data transfer is initiated with a START condition and terminated with a STOP condition. The number of the data bytes transferred between the START and STOP conditions is determined by the master device.

### 4.5 Acknowledge

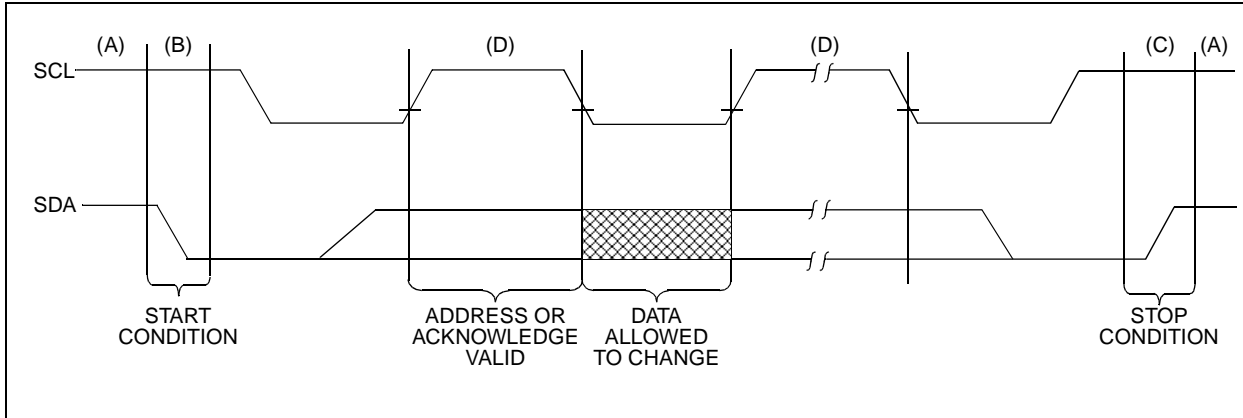
Each receiving device, when addressed, is obliged to generate an acknowledge signal after the reception of each byte. The master device must generate an extra clock pulse which is associated with this acknowledge bit.

**Note:** The 24XX256 does not generate any acknowledge bits if an internal programming cycle is in progress.

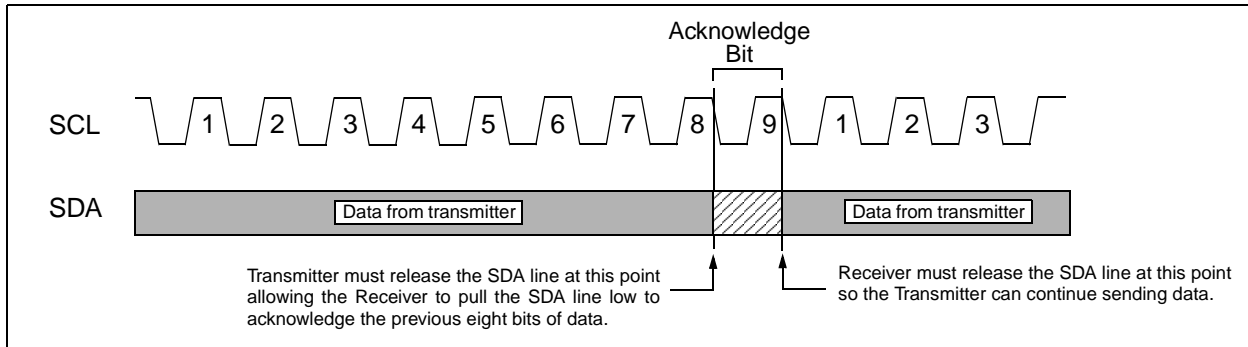
A device that acknowledges must pull down the SDA line during the acknowledge clock pulse in such a way that the SDA line is stable LOW during the HIGH period of the acknowledge related clock pulse. Of course, setup and hold times must be taken into account. During reads, a master must signal an end of data to the slave by NOT generating an acknowledge bit on the last byte that has been clocked out of the slave. In this case, the slave (24XX256) will leave the data line HIGH to enable the master to generate the STOP condition.

# 24AA256/24LC256/24FC256

**FIGURE 4-1: DATA TRANSFER SEQUENCE ON THE SERIAL BUS**



**FIGURE 4-2: ACKNOWLEDGE TIMING**



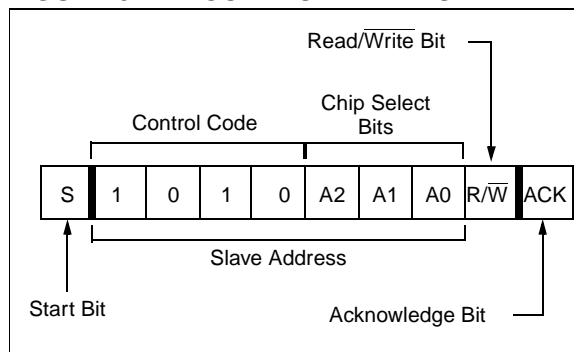
## 5.0 DEVICE ADDRESSING

A control byte is the first byte received following the start condition from the master device (Figure 5-1). The control byte consists of a 4-bit control code; for the 24XX256 this is set as 1010 binary for read and write operations. The next three bits of the control byte are the chip select bits (A2, A1, A0). The chip select bits allow the use of up to eight 24XX256 devices on the same bus and are used to select which device is accessed. The chip select bits in the control byte must correspond to the logic levels on the corresponding A2, A1, and A0 pins for the device to respond. These bits are in effect the three most significant bits of the word address.

The last bit of the control byte defines the operation to be performed. When set to a one a read operation is selected, and when set to a zero a write operation is selected. The next two bytes received define the address of the first data byte (Figure 5-2). Because only A14...A0 are used, the upper address bits is a don't care. The upper address bits are transferred first, followed by the less significant bits.

Following the start condition, the 24XX256 monitors the SDA bus checking the device type identifier being transmitted. Upon receiving a 1010 code and appropriate device select bits, the slave device outputs an acknowledge signal on the SDA line. Depending on the state of the R/W bit, the 24XX256 will select a read or write operation.

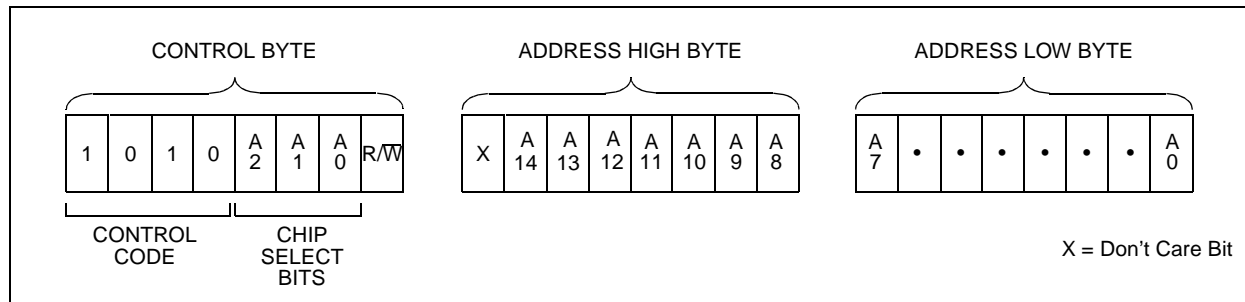
FIGURE 5-1: CONTROL BYTE FORMAT



### 5.1 Contiguous Addressing Across Multiple Devices

The chip select bits A2, A1, A0 can be used to expand the contiguous address space for up to 2 Mbit by adding up to eight 24XX256's on the same bus. In this case, software can use A0 of the control byte as address bit A15; A1, as address bit A16; and A2, as address bit A17. It is not possible to sequentially read across device boundaries.

FIGURE 5-2: ADDRESS SEQUENCE BIT ASSIGNMENTS



## 6.0 WRITE OPERATIONS

### 6.1 Byte Write

Following the start condition from the master, the control code (four bits), the chip select (three bits), and the  $R\overline{W}$  bit (which is a logic low) are clocked onto the bus by the master transmitter. This indicates to the addressed slave receiver that the address high byte will follow after it has generated an acknowledge bit during the ninth clock cycle. Therefore, the next byte transmitted by the master is the high-order byte of the word address and will be written into the address pointer of the 24XX256. The next byte is the least significant address byte

0 9Af-4(te)r 14(rec)10(e)-1(sm)1(can)g), and the rsmn lowl-2(l)]TJ T\* -08009 Tc 77012 Tw ed2-14(gh)12pdgigiwm5 an9-11(it)13( )14(the3)-1(d)a2(n)-a(be)12((w)18(o)- t6 d0(h)-3( )1o-3( )bhre)12(e)-3( )wrte in the address

ponan Th4gh56 rwl Thgylbe

ti3(ra)-13(t)-1s thinte- -ivinl te yln,duri(e)-13( )1( t)-11(h)-is ti the

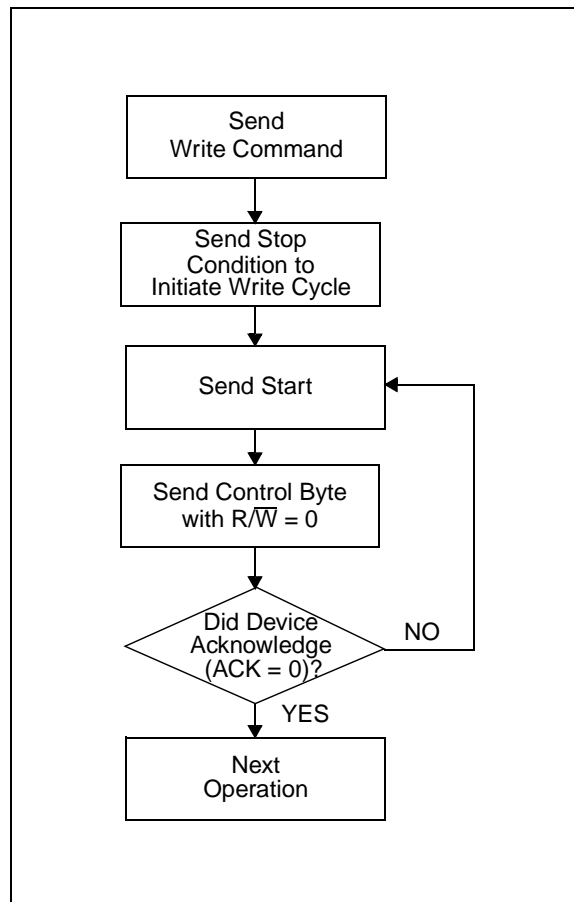
ou281(2(56)-1). lf4(t)- [(a)12(n)4(t)- [(a)1-4(te)m [(p)14(t)-is2(y) 3(l3)mp T10(n)(cod)12(e)-(in)-13nt)12(e)-(in)-wrte11( (in)-13nt)4(tarr t6 [ ), al th ne t is l n



## 7.0 ACKNOWLEDGE POLLING

Since the device will not acknowledge during a write cycle, this can be used to determine when the cycle is complete (This feature can be used to maximize bus throughput.) Once the stop condition for a write command has been issued from the master, the device initiates the internally timed write cycle. ACK polling can be initiated immediately. This involves the master sending a start condition, followed by the control byte for a write command ( $R/\overline{W} = 0$ ). If the device is still busy with the write cycle, then no ACK will be returned. If no ACK is returned, then the start bit and control byte must be resent. If the cycle is complete, then the device will return the ACK, and the master can then proceed with the next read or write command. See Figure 7-1 for flow diagram.

FIGURE 7-1: ACKNOWLEDGE POLLING FLOW



# 24AA256/24LC256/24FC256

## 8.0 READ OPERATION

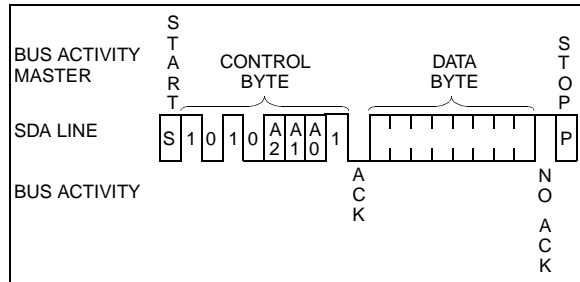
Read operations are initiated in the same way as write operations with the exception that the R/W bit of the control byte is set to one. There are three basic types of read operations: current address read, random read, and sequential read.

### 8.1 Current Address Read

The 24XX256 contains an address counter that maintains the address of the last word accessed, internally incremented by one. Therefore, if the previous read access was to address n (n is any legal address), the next current address read operation would access data from address n + 1.

Upon receipt of the control byte with R/W bit set to one, the 24XX256 issues an acknowledge and transmits the 8-bit data word. The master will not acknowledge the transfer but does generate a stop condition and the 24XX256 discontinues transmission (Figure 8-1).

**FIGURE 8-1: CURRENT ADDRESS READ**



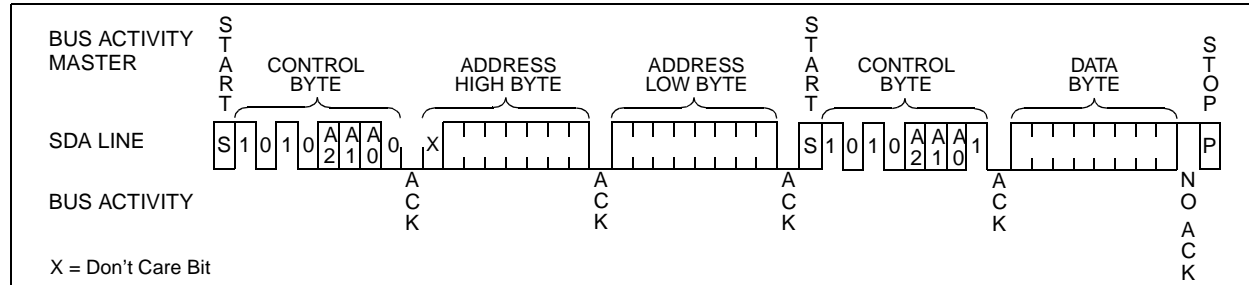
### 8.2 Random Read

Random read operations allow the master to access any memory location in a random manner. To perform this type of read operation, first the word address must be set. This is done by sending the word address to the 24XX256 as part of a write operation (R/W bit set to 0). After the word address is sent, the master generates a start condition following the acknowledge. This terminates the write operation, but not before the internal address pointer is set. Then, the master issues the control byte again but with the R/W bit set to a one. The 24XX256 will then issue an acknowledge and transmit the 8-bit data word. The master will not acknowledge the transfer but does generate a stop condition which causes the 24XX256 to discontinue transmission (Figure 8-2). After a random read command, the internal address counter will point to the address location following the one that was just read.

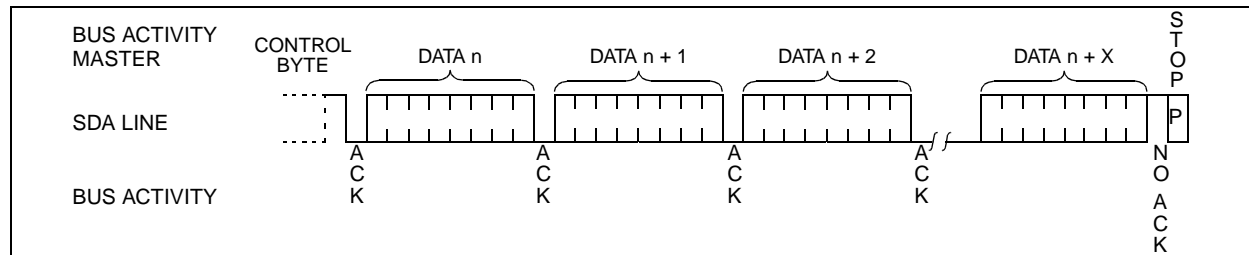
### 8.3 Sequential Read

Sequential reads are initiated in the same way as a random read except that after the 24XX256 transmits the first data byte, the master issues an acknowledge as opposed to the stop condition used in a random read. This acknowledge directs the 24XX256 to transmit the next sequentially addressed 8-bit word (Figure 8-3). Following the final byte transmitted to the master, the master will NOT generate an acknowledge but will generate a stop condition. To provide sequential reads, the 24XX256 contains an internal address pointer which is incremented by one at the completion of each operation. This address pointer allows the entire memory contents to be serially read during one operation. The internal address pointer will automatically roll over from address 7FFF to address 0000 if the master acknowledges the byte received from the array address 7FFF.

**FIGURE 8-2: RANDOM READ**



**FIGURE 8-3: SEQUENTIAL READ**



## 24XX256 PRODUCT IDENTIFICATION SYSTEM

To order or obtain information, e.g., on pricing or delivery, refer to the factory or the listed sales office.

<b>24XX256</b> — <b>/P</b>	<b>Package:</b>	P = Plastic DIP (300 mil Body), 8-lead SM = Plastic SOIC (208 mil Body, EIAJ standard), 8-lead
	<b>Temperature Range:</b>	Blank = 0°C to +70°C I = -40°C to +85°C E = -40°C to +125°C
	<b>Device:</b>	24AA256 256K bit 1.8V I <sup>2</sup> C Serial EEPROM 24AA256T 256K bit 1.8V I <sup>2</sup> C Serial EEPROM (Tape and Reel) 24LC256 256K bit 2.5V I <sup>2</sup> C Serial EEPROM 24LC256T 256K bit 2.5V I <sup>2</sup> C Serial EEPROM (Tape and Reel) 24FC256 256K bit 1MHz I <sup>2</sup> C Serial EEPROM 24FC256T 256K bit 1MHz I <sup>2</sup> C Serial EEPROM (Tape and Reel)

### Sales and Support

#### **Data Sheets**

Products supported by a preliminary Data Sheet may have an errata sheet describing minor operational differences and recommended workarounds. To determine if an errata sheet exists for a particular device, please contact one of the following:

1. Your local Microchip sales office
2. The Microchip Corporate Literature Center U.S. FAX: (602) 786-7277
3. The Microchip Worldwide Site ([www.microchip.com](http://www.microchip.com))

Please specify which device, revision of silicon and Data Sheet (include Literature #) you are using.

#### **New Customer Notification System**

Register on our web site ([www.microchip.com/cn](http://www.microchip.com/cn)) to receive the most current information on our products.

