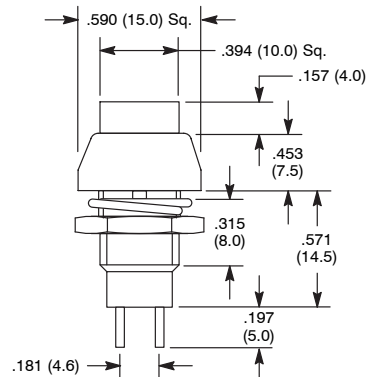


Pushbutton, Single Pole



S73



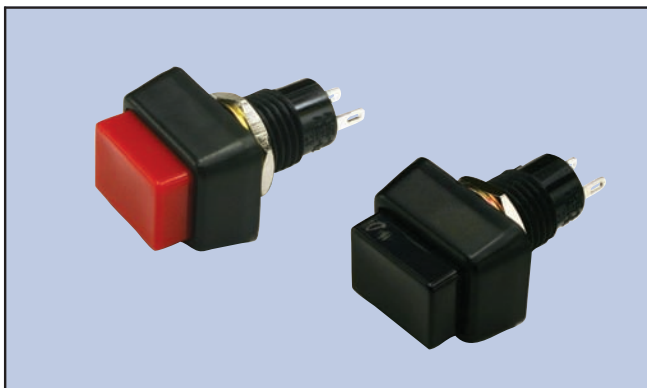
NTE Type No.	Circuitry	Action		Actuator		Diag No.
				Material	Color	
54-389	SPST	OFF	(ON)	ABS Resin	Black	S73

SPECIAL NOTE: () = Momentary Function

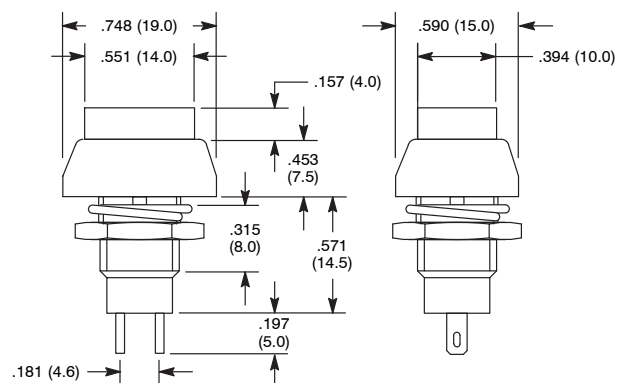
Specifications

- Current Rating:** 3A 125VAC, 1A 250VAC
- Insulation Resistance:** 100 Megohms (min.) at 500VDC
- Dielectric Strength:** 1500V RMS (min.)
- Temperature Rating:** +14° to +131°F (-10° to +55°C)
- Electrical Life:** 50,000 cycles
- Mechanical Life:** 100,000 cycles
- Terminal Type:** Solder Lug
- Mounting Hole:** .402 (10.2)

Pushbutton, Single Pole



S74



NTE Type No.	Circuitry	Action		Actuator		Diag No.
				Material	Color	
54-390	SPST	OFF	(ON)	ABS Resin	Black	S74
54-391	SPST	OFF	(ON)	ABS Resin	Red	S74

SPECIAL NOTE: () = Momentary Function

Specifications

- Current Rating:** 3A 125VAC, 1A 250VAC
- Insulation Resistance:** 100 Megohms (min.) at 500VDC
- Dielectric Strength:** 1500V RMS (min.)
- Temperature Rating:** +14° to +131°F (-10° to +55°C)
- Electrical Life:** 50,000 cycles
- Mechanical Life:** 100,000 cycles
- Terminal Type:** Solder Lug
- Mounting Hole:** .402 (10.2)