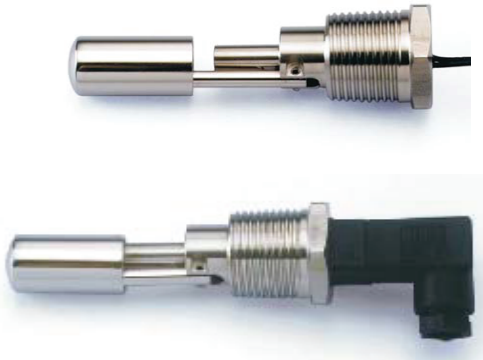


SSH66TE Series

Compact Horizontal Stainless Steel Floatswitch

3/4" NPT External Fitting



- Stainless Steel
- External Mount (3/4" NPT)
- N/O or N/C switching action
- Operating Temp upto 120°C
- Plug or Cable termination options

The SSH66 series of floatswitches are externally mounted horizontal floatswitches with reduced float lengths for applications where space is limited.

Manufactured from High Grade 316 stainless steel, they are ideal for food grade applications.

Featuring 3/4" NPT threads, these devices are easily mounted without needing internal access to the tank/vessel they are being fitted to.

Can be used with 3/4" BSP female threads when used with silicon sealant.

Available with flying leads or MPM connectors.

Floatswitch can be fitted to achieve either N/O or N/C configuration by simply rotating through 180 degrees.

All Cynergy3 floatswitches are fitted with high quality reedswitch contacts for optimum performance.

Technical Specification

Mounting style	External	Cable length - standard	100cm/Plug
Mounting thread	3/4" NPT	Cable size	17/0.10 - AWG22
Float/Stem material	316/304 grade	Cable conductor material	Tinned copper
Maximum Temperature	120°C	Cable sheath material	XLPE
Maximum Pressure	10 bar	Cable temperature rating	125°C
Float SG	0.7	Sealing gasket	N/A
Minimum fluid SG	0.75	Tightening torque for fixing	2.0kg/cm

Electrical Specification

Contact Form	N/O or N/C
Switching Power Max. VA	1
Switching Current Max. A	0.1
Switching Voltage AC	24
Switching Voltage DC	24

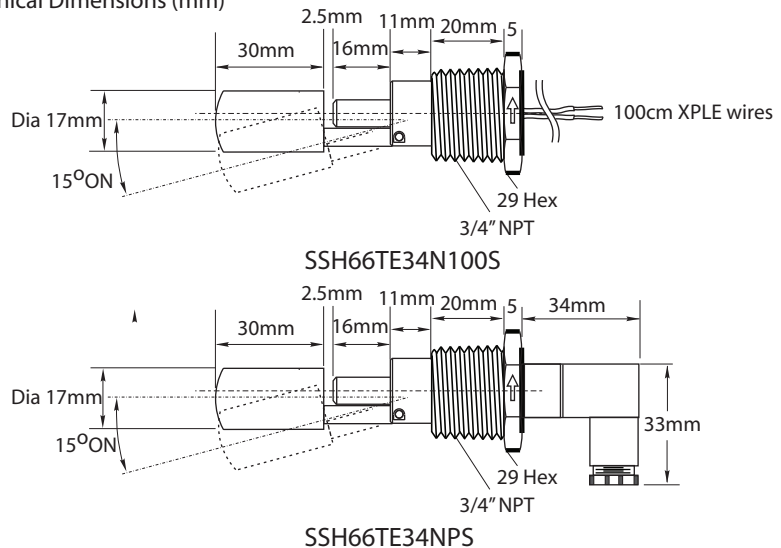
All ratings are for resistive load only.

Standard Parts

SSH66TE34N100S	100cm XLPE wires
SSH66TE34NPS	MPM Connector

Leadouts

Mechanical Dimensions (mm)



USA
 Cynergy3 Components
 11125 Knott Avenue, Suite D
 Cypress, CA90630
 Sales & Tech Support (866) 258-5057
 Email: sales@cynergy3.com

EUROPE - UK
 Cynergy3 Components Ltd.
 7 Cobham Road
 Ferndown Industrial Estate
 Wimborne, Dorset BH21 7PE
 Telephone +44 (0) 1202 897969
 Fax +44 (0) 1202 891918
 Email:sales@cynergy3.com