

LLF Series

Vertical Fast Lift Floatswitches



- Vertical Mount
- 200mm and 50mm variants
- Factory Configured N/O or N/C
- 10mm Switch Actuation level
- Low SG operation (0.45)

Technical Specification

Mounting style	Internal	Cable length - standard	100cm/Plug
Mounting thread	M12/M16	Cable size	2 Core 7/0.2 PVC
Float/Stem material	Nylon/PPS/Buna	Cable conductor material	Tinned copper
Maximum Temperature	75°C	Cable sheath material	PVC
Maximum Pressure	10 bar	Cable temperature rating	85°C
Float SG	0.45	Sealing gasket	Nitrile
Minimum fluid SG	0.45	Tightening torque for fixing	2.0kg/cm

Electrical Specification

Contact Form	N/O or N/C
Switching Power Max. VA	25
Switching Current Max. A	0.6
Switching Voltage AC	240
Switching Voltage DC	120

All ratings are for resistive load only.

Standard Parts

Standard Parts	Switching Action	Leadouts
LLF59Y100JC	Make on Rise	1M 2 Core PVC Sheath
LLF59Y100JC004	Break on Rise	1M 2 Core PVC Sheath
LLF69A198	Make on Rise	1M 2 Core PVC Sheath
LLF69B198	Break on Rise	1M 2 Core PVC Sheath

The LLF range of vertical floatswitches have been developed for applications where ultra low levels are required to be detected.

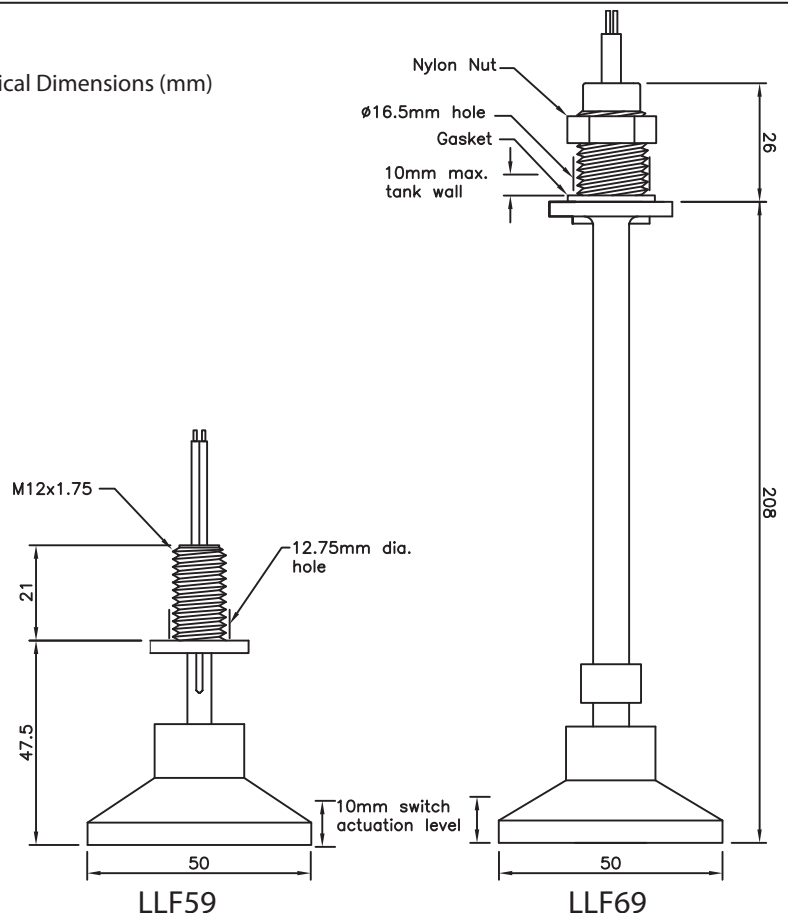
Unlike conventional float arrangements, the LLF uses a large diameter Buna float to allow SGs as low as 0.45 to be sensed with very little fluid due to its' extremely low freeboard.

The float will start operating in as little as 6mm of fluid.

Available in 2 lengths with either N/O or N/C switching configuration, the LLF is ideal for drip tanks, hatch alarms and other applications where sensitive fluid detection is required.

All Cynergy3 floatswitches are fitted with high quality reedswitch contacts for optimum performance.

Mechanical Dimensions (mm)



USA
 Cynergy3 Components
 11125 Knott Avenue, Suite D
 Cypress, CA90630
 Sales & Tech Support (866) 258-5057
 Email: sales@cynergy3.com

EUROPE - UK
 Cynergy3 Components Ltd.
 7 Cobham Road
 Ferndown Industrial Estate
 Wimborne, Dorset BH21 7PE
 Telephone +44 (0) 1202 897969
 Fax +44 (0) 1202 891918
 Email:sales@cynergy3.com