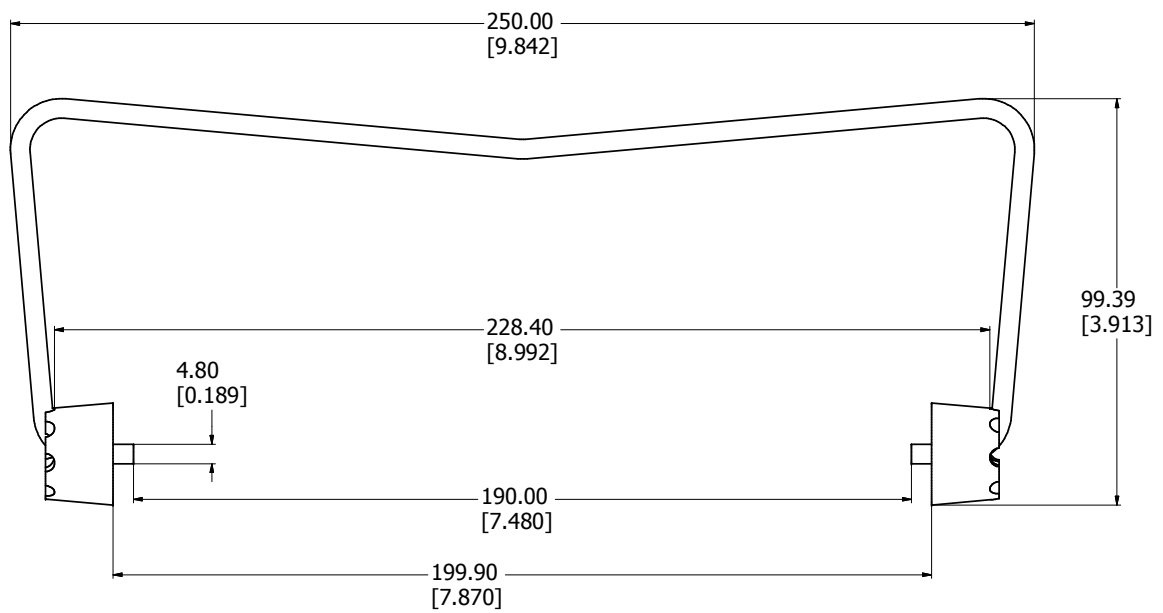
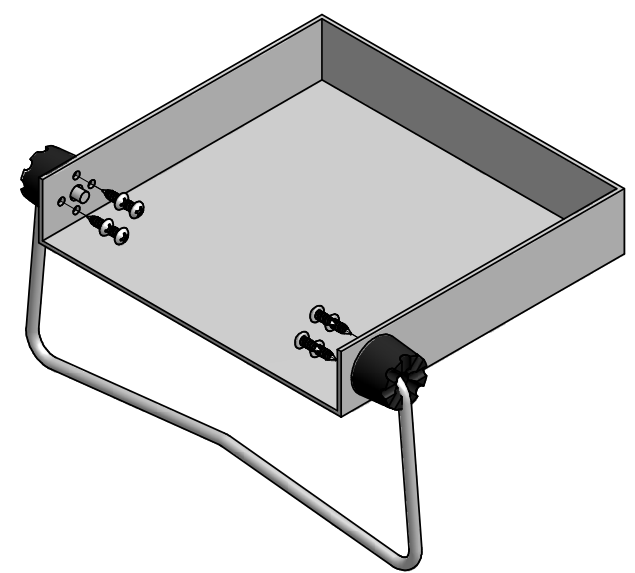


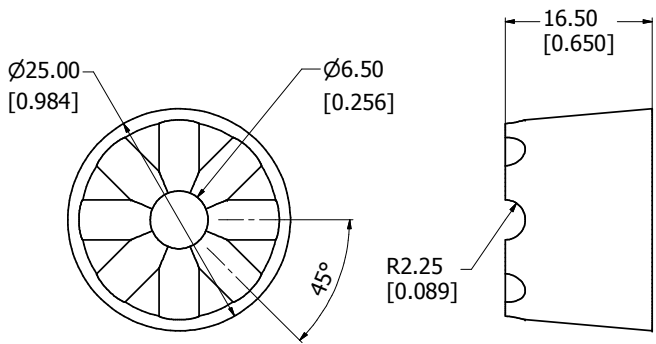
8 | 7 | 6 | 5 | 4 | 3 | 2 | 1



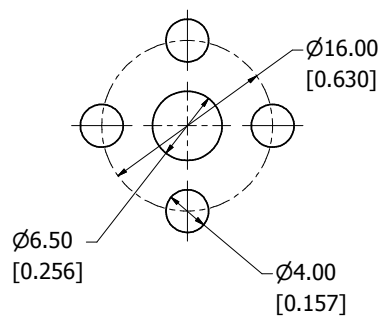
BAIL WITH ADJUSTMENT MOUNTS



EXPLODED BAIL ASSEMBLY (BOX NOT INCLUDED)



ADJUSTMENT MOUNT



MOUNTING HOLE LOCATIONS

1589TH2
Bail - Bright Chrome Plated Steel
Feet - Matte Black Plastic
Hardware
8 Screws - Panhead Self Tapping 6-32 x 3/8"
*Bail for 1598H & J Enclosures
**note bail sold singly



**HAMMOND
MANUFACTURING™**

1598TH2

8 | 7 | 6 | 5 | 4 | 3 | 2 | 1