

LED DRIVER DC CC, POTTED
LED 36 DC 700mA P/PU Ver.1
LED 36 DC 1050mA P Ver.1

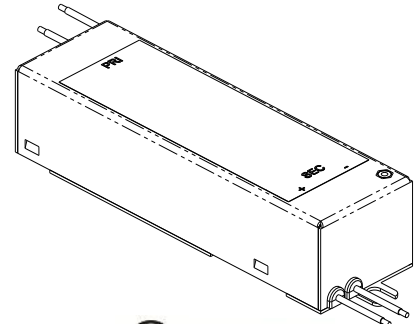
LED

Features

1. Dimmable with Trailing Edge dimmers
2. Designed for IP67
3. Reinforced insulation from input to output
4. High efficiency
5. PFC: > 0.95
6. Fully protected: Short circuit, Input voltage surge, Thermal, Secondary switch
Overload regulation, Over voltage protection. Self-resettable
7. AC/DC

Applications

1. Led in- and outdoor lighting
2. Street lighting
3. Architectural lighting
4. Signage
5. Indication and orientation lighting
6. Ambience lighting

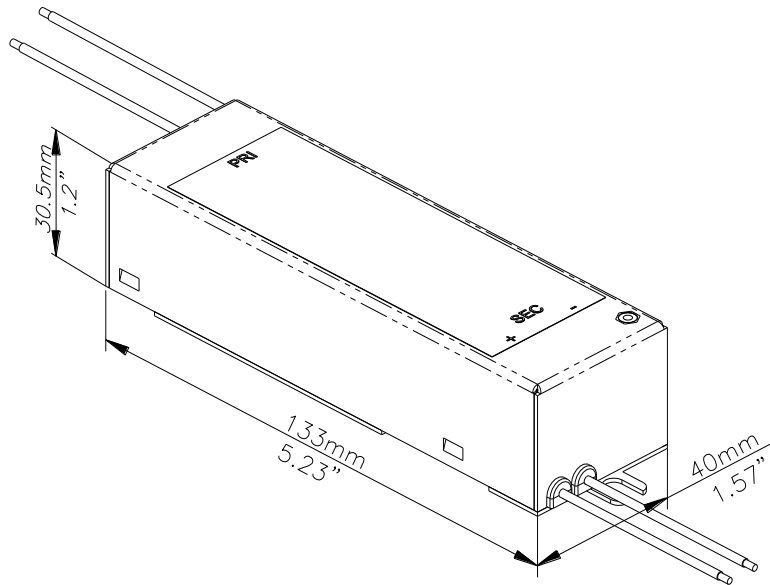


Specifications

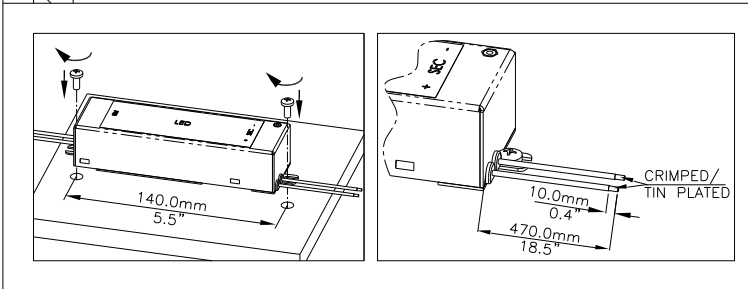
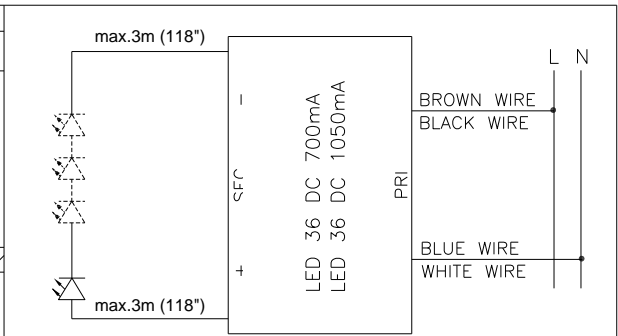
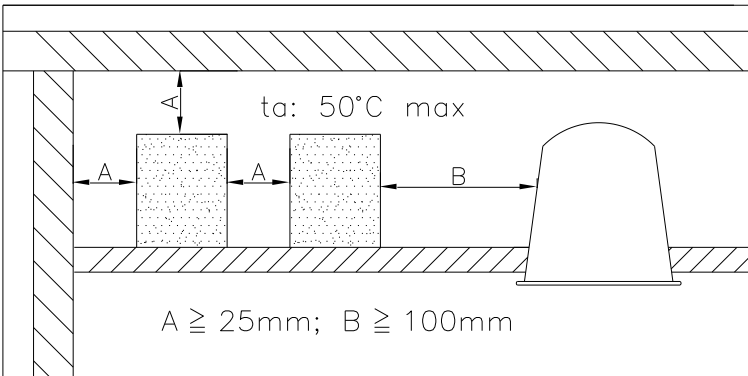
VERSION		36 WATT 700mA		36 WATT 1050mA
SKU No.		901036700P	901036700PU	9010361050P
INPUT	VOLTAGE RANGE (V)	220-240	120-277	220-240
	FREQUENCY RANGE (Hz)	50/60	50/60	50/60
	POWER FACTOR	0.97	0.99	0,98
	EFFICIENCY (Typ.)%	89	88-89	89
	AC CURRENT (A)	0.2	0.35-0.15	0.2
	INRUSH CURRENT (A)	-	-	-
OUTPUT	VOLTAGE (V) Note 3	4-52	4-52	4-36
	CURRENT (A) Note 3	0.7	0.7	1,05
	RATED POWER (W)	36	36	36
DIMMABLE	REVERSE PHASE CONTROL (TRAILING EDGE)	TO 25%	TO 10%*	
PROTECTION	INPUT VOLTAGE SURGE	YES	YES	YES
	OVER TEMPERATURE	YES	YES	YES
	SHORT CIRCUIT PROTECTION	YES	YES	YES
	REINFORCED INSULATION	YES	YES	YES
ENVIRONMENT	Ta (°C)	-25...+70	-25...+50	-25...+70
	Tc (°C)	85	90	85
	WORKING HUMIDITY	IP67	OUTDOOR	IP67
	STORAGE TEMP. (°C)	-10...+70	-10...+70	-10...+70
STANDARDS	VDE SAFETY	ENEC; EN61347-1; EN61347-2-13; EN62384 (P VERSION)		PENDING
	VDE EMC	EN61547; EN61000-3-3; EN61000-3-2; EN55015 (P VERSION)		PENDING
	UL	N/A	E322460	N/A
MECHANICAL	PLASTIC/ METAL CASE	METAL	METAL	METAL
	INPUT WIRES COLOR	BRW/BLU	BLK/WHT	BRW/BLU
	INPUT WIRES SIZE	0.75mm ²	18AWG	0.75mm ²
	OUTPUT WIRE COLOR	BLK/RED	BLK/RED	BLK/RED
	OUTPUT WIRE SIZE	18AWG	18AWG	18AWG
	WEIGHT	0.28kg		
NOTE	1. All parameters are measured at rated input, rated load and 25°C of ambient temperature.			
	2. Specifications may vary from time to time without notice.			
	3. Tolerance: includes set up tolerance, line regulation and load regulation.			
	4. Subject to standard warranty, terms and conditions as published from time to time.			
	5. * Tested with Lighttech recommended dimmers, contact your sales representative for further details			

LED 36 DC 700mA P/PU Ver.1
 LED 36 DC 1050mA P Ver.1

Mechanical Drawing



Mounting Instructions



LED 36 DC 700mA
 From 4 to 12 leds in series.

LED 36 DC 1050mA
 From 4 to 10 leds in series.

Safety Instructions

1. Always disconnect power before installation and/or removal of the unit.
2. Install in accordance with national and local electrical codes.