

Power Choke Coil

Series: **PCC-M104L (MC)**
Low DCR Type

Small mounting size for multi-phase DC-DC converter circuits



■ **Features**

- Small type (11.7×10.0×H4.0 mm)
 - High power (21 A to 30 A)
 - Low loss (R_{DC} :0.76 to 1.58 mΩ)
 - Tighter DCR tolerance (±5 %)
 - Suitable for high frequency circuit (up to 1 MHz)
 - Low buzz noise due to its gap-less structure
- RoHS compliant

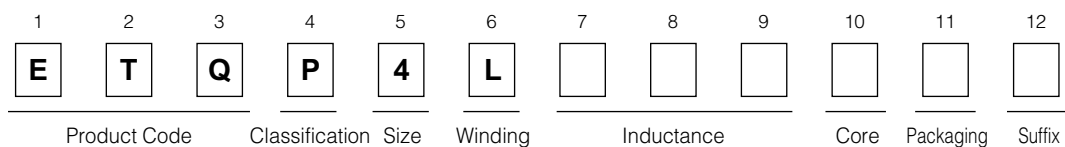
■ **Recommended Applications**

- Notebook PC power supply modules
- Servers, Routers, DC-DC converters for driving CPUs

■ **Standard Packing Quantity**

- 1000 pcs./Reel

■ **Explanation of Part Numbers**



■ **Standard Parts**

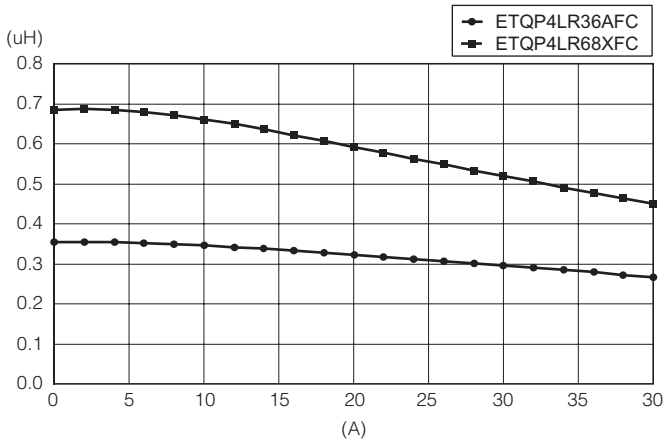
| Part No. | Inductance (at 20 °C)*1 | | | Rated current (A)*2 | DC resistance (at 20 °C) (mΩ) |
|--------------|-------------------------|--------|-------------------------|---------------------|-------------------------------|
| | L0 at 0A | L1 | | | |
| | (μH) | (μH) | Measurement current (A) | | |
| ETQP4LR36AFC | 0.36±20 % | (0.29) | 30 | 30 | 0.76±5 % |
| ETQP4LR68XFC | 0.68±20 % | (0.59) | 21 | 21 | 1.58±5 % |

(*1) Inductance is measured at 100 kHz.

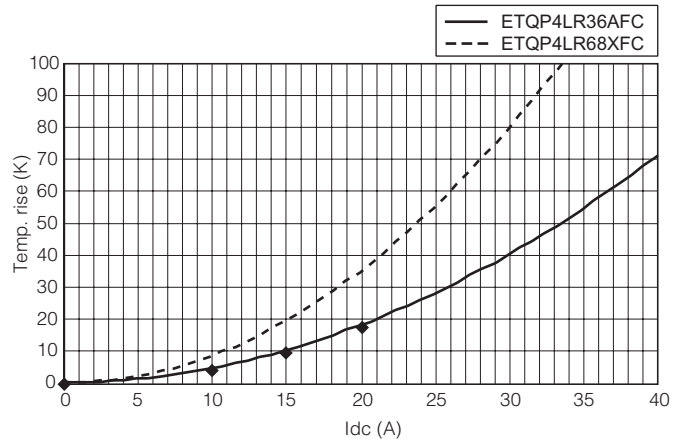
(*2) Rated current defines actual value of DC current, when temperature rise of coil becomes 40 K.

Performance Characteristics (Reference)

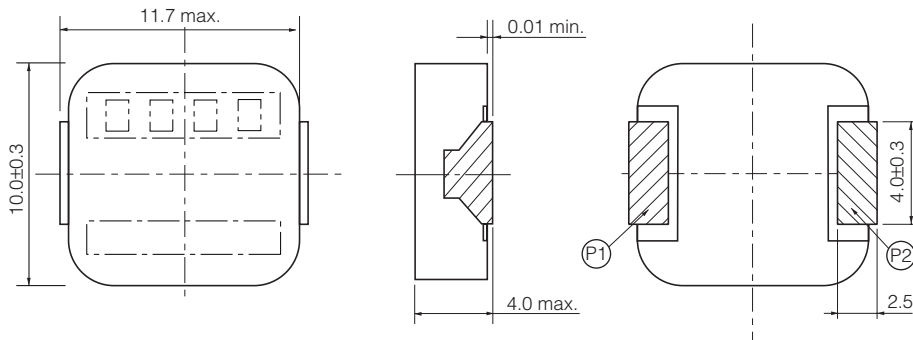
Inductance vs DC Current



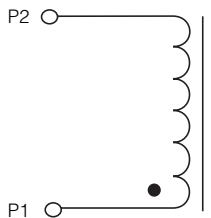
Case Temperature vs DC Current



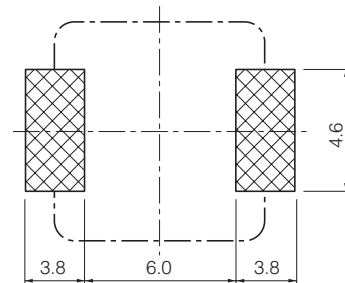
Dimensions in mm (not to scale)



Connection



Recommended Land Pattern in mm (not to scale)



Packaging Methods

Please see Pages 202 to 203

Soldering Conditions

Please see Page 204

Safety Precautions

Please see Page 205

Design and specifications are each subject to change without notice. Ask factory for the current technical specifications before purchase and/or use. Should a safety concern arise regarding this product, please be sure to contact us immediately.