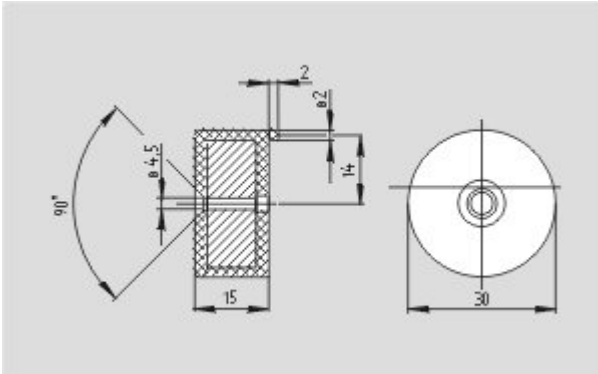


Datasheet - BPS 300

Safety sensors / BNS 303 / Actuator



(Minor differences between the printed image and the original product may exist!)

Ordering details

Product type description	BPS 300
Article number	1113734
EAN code	4030661022437

Global Properties

Product name	Magnet
Materials	
- Material of the housings	Plastic
Weight	30 g

Dimensions

Dimensions of the actuators	
- Width of the actuator	15 mm
- Diameter of the actuator	30 mm

Included in delivery

tamperproof screws	1 piece
--------------------	---------

Images